

# SLOW-DISSOLVE CAL-HYPO FEEDER INSTALLATION AND OPERATION MANUAL

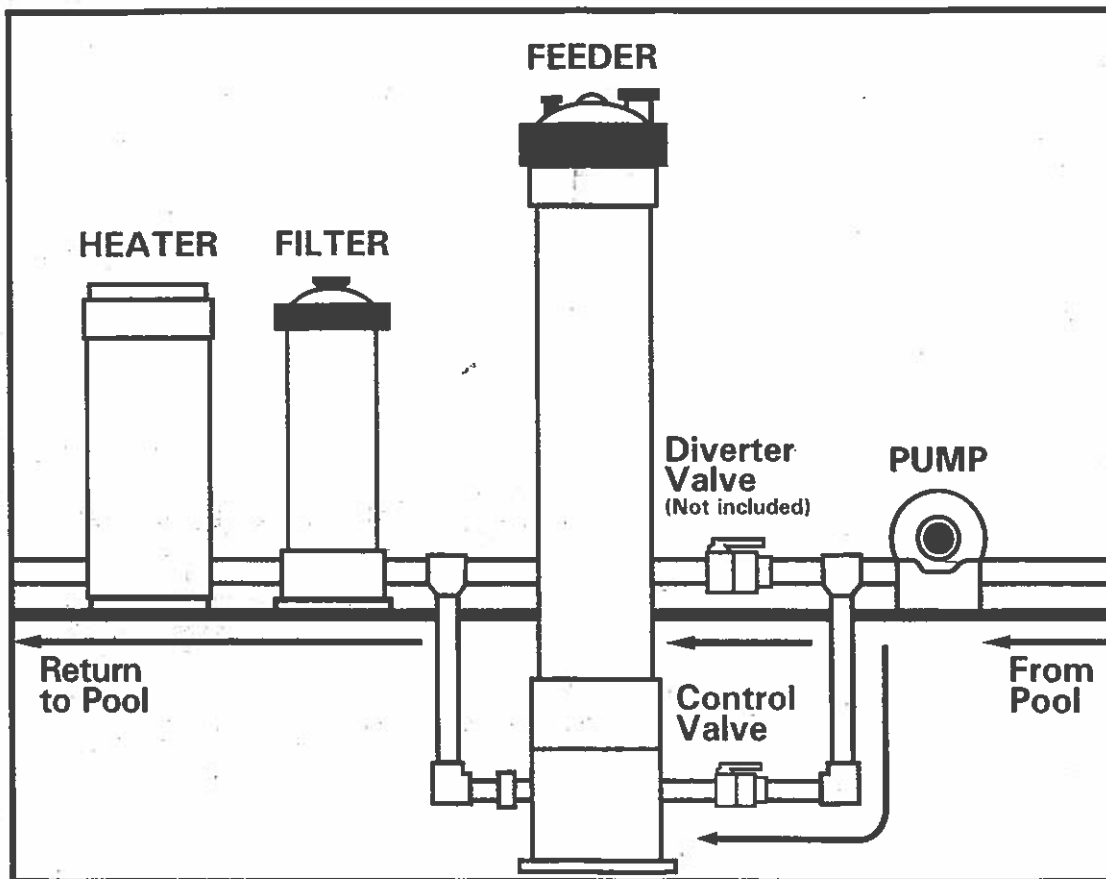
## INSTALLATION

This slow-dissolve cal-hypo feeder is designed to be hard plumbed with 1" PVC pipe with standard threaded inlet and outlet fittings. It operates via pressure differential to circulate water in the feeder. The inlet side connects to the plumbing near the pump outlet. The outlet line connects near the filter inlet. A diverter valve (not included) must be installed between these two lines (see diagram). Slightly closing this valve will allow for higher flow into the feeder. The feeder should be installed bolted down.

## OPERATION

Always use extreme caution when operating or servicing the feeder. NEVER OPEN WHEN THE PUMP IS RUNNING. NEVER INHALE CHEMICAL FUMES. Use caution in hotter weather, as this can create a higher level of gasses. Wear protective glasses and gloves when operating the feeder. Always follow product label directions for handling chemicals.

Before starting the feeder adjust chlorine level to 1-4 ppm. Check with your chemical dealer for more information on proper water care. Sanitizer demand can depend on many environmental factors. Valve settings may need adjustment at times to accommodate changing conditions. Attempt to increase the feeder rate a day or two in advance of anticipated increases in demand. Test water to determine proper Chlorine residual levels; it is recommended that the levels are checked daily for the first week after start-up to adjust to the ideal rate. Higher numbers dispense more sanitizer. Small, incremental changes are recommended to best control sanitizer levels.



## WARNING



This feeder is designed to use only slow-dissolve cal-hypo tablets. NEVER MIX slow-dissolve cal-hypo tablets with other forms of chlorine or with other chemicals. FIRE AND/OR EXPLOSION MAY RESULT. Lubricate o-ring with silicone o-ring lubricant. If you are not the original owner of this feeder, or not sure which chemical was used, be SAFE and flush thoroughly with fresh water. CAUTION SHOULD BE USED WHEN REMOVING CAP. DO NOT INHALE FUMES.

### CHARGING INSTRUCTIONS

Use caution when operating or servicing the feeder. NEVER INHALE CHEMICAL FUMES. Wear safety glasses and gloves when using the feeder. Always follow product label directions for chemical use.

1. Shut off pump and close the control valve. Wait one minute. If installed below water level, close any in-line valves to prevent back flow before the vent valve. Next, open the air relief valve, then open the feeder bottom drain valve. Drain water into a plastic container and pour into the pool.

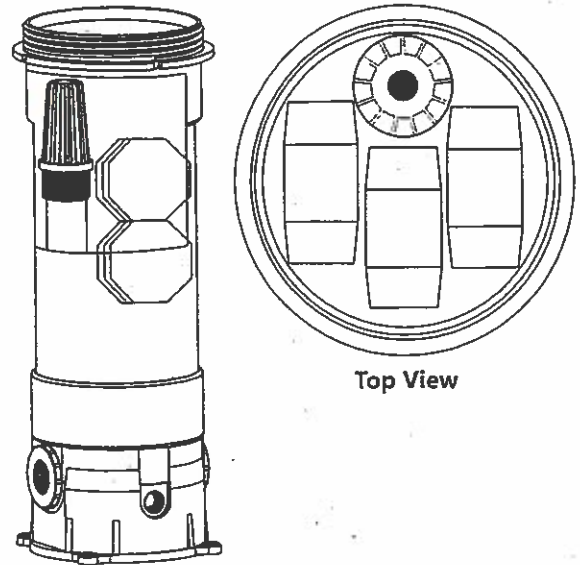
2. Close the drain valve. Lift the lock spring and unscrew the lid lock ring. Remove feeder lid and fill with slow-dissolve cal-hypo tablets. For best results, stack tablets vertically (see diagram).

3. Clean and lubricate the O-ring, then replace the lid. *Only use silicone lubricant.* Press the lid into position, then close the vent valve. Tighten the lock ring until the o-ring contacts the body, then turn until the lock spring snaps into the next notch in the body. There are four notches located on the upper flange of the body. Never force the lock ring past the lock spring.

4. Open any in-line valves, and turn on pump/timer. Adjust the control valve to the proper setting. IF ISOLATION VALVES ARE USED, you must open them before start-up. Always keep the return line valves open to prevent gas or pressure build-up, except when opening or servicing the feeder. Close the control valve if adding chemicals to the pool, vacuuming, backwashing or maintaining your filter.

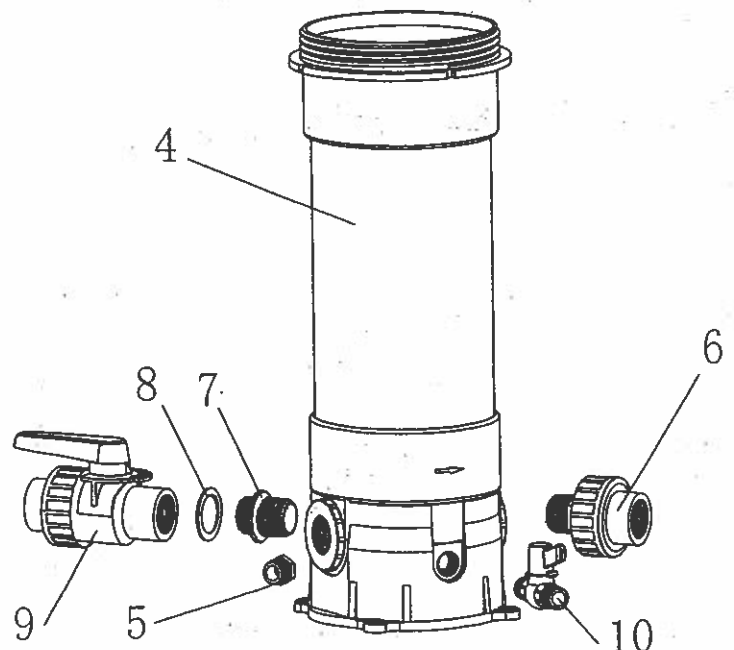
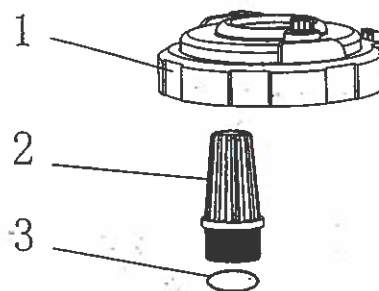
### WINTERIZING

During freezing temperature seasons, drain all water from the feeder body. Carefully remove undissolved tablets using safety gloves. Clean the feeder body with water, replacing the lid when complete. Leave the vent valve open slightly, and keep the feeder covered all winter season.



Top View

- |                   |                                 |
|-------------------|---------------------------------|
| 1) 25280-615-500  | Lid Assy w/ o-ring & air relief |
| 2) 25280-615-106  | Screen                          |
| 3) N/A            | O-ring                          |
| 4) N/A            | Body w/ Stand                   |
| 5) 25280-615-104  | Plug                            |
| 6) 25280-615-200  | Union                           |
| 7) 27313-010-100  | Threaded Coupling               |
| 8) 25203-453-925  | Gasket                          |
| 9) 25280-615-300  | Flow Control Valve              |
| 10) 25280-615-400 | Drain Valve                     |



**Questions?**

For Pool Breeze®, call 1-888-433-3029



For poolife®, call 866-476-6538

