

## Jandy Pro Series NeverLube® and Backwash Valve

### **⚠ WARNING**

**FOR YOUR SAFETY** - This product must be installed and serviced by a contractor who is licensed and qualified in pool equipment by the jurisdiction in which the product will be installed where such state or local requirements exist. The maintainer must be a professional with sufficient experience in pool equipment installation and maintenance so that all of the instructions in this manual can be followed exactly. Before installing this product, read and follow all warning notices and instructions that accompany this product. Failure to follow warning notices and instructions may result in property damage, personal injury, or death. Improper installation and/or operation will void the warranty.



Improper installation and/or operation can create unwanted electrical hazard which can cause serious injury, property damage, or death.

**ATTENTION INSTALLER** - This manual contains important information about the installation, operation and safe use of this product. This information should be given to the owner/operator of this equipment.



## **Table of Contents**

<b>Section 1. Safety Information .....</b>	<b>4</b>
<b>Section 2. DE and Sand Filters .....</b>	<b>5</b>
<b>Section 3. Versa-Coupler Installation .....</b>	<b>7</b>
<b>Section 4. Normal Operation .....</b>	<b>7</b>
<b>Section 5. Backwashing.....</b>	<b>7</b>
<b>Section 6. Vacuuming to Waste (Optional).....</b>	<b>8</b>
<b>Section 7. Replacement Parts List.....</b>	<b>10</b>

## Section 1. Safety Information

### ⚠ WARNING

**FOR YOUR SAFETY:** This product must be installed and serviced by a professional pool/spa service technician. The procedures in this instruction sheet must be followed exactly. Improper installation and/or operation will void the warranty.

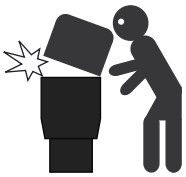
### ⚠ WARNING

Ensure that all electrical power to the system is turned off before approaching, inspecting or troubleshooting any leaking valves that may have caused other electrical devices in the surrounding area to get wet. Failure to do so could result in an electrical hazard that could result in death or serious injury due to electrical shock, and may also cause damage to property and/or operation.



### ⚠ WARNING

- Do not connect system to an unregulated city water system or other external source of pressurized water producing pressures greater than 35 PSI.
- Pressurized air in system can cause product failure or also cause the filter lid to be blown off which can result in death, serious personal injury, or property damage. Be sure all air is out of system before operating or testing the equipment.



### ⚠ WARNING

To minimize risk of severe injury or death the filter and/or pump should not be subjected to the piping system pressurization test.

Local codes may require the pool piping system to be subjected to a pressure test. These requirements are generally not intended to apply to the pool equipment such as filters or pumps.

Jandy Pro Series pool equipment is pressure tested at the factory.

If however this WARNING cannot be followed and pressure testing of the piping system must include the filter and/or pump **BE SURE TO COMPLY WITH THE FOLLOWING SAFETY INSTRUCTIONS:**

- Check all clamps, bolts, lids, lock rings and system accessories to ensure they are properly installed and secured before testing.
- **RELEASE ALL AIR** in the system before testing.
- Water pressure for test must **NOT EXCEED 35 PSI**.
- Water temperature for test must **NOT EXCEED 100°F (38°C)**.
- Limit test to 24 hours. After test, visually check system to be sure it is ready for operation.

**Notice:** These parameters apply to Jandy Pro Series equipment only. For non-Jandy equipment, consult equipment manufacturer.

**READ AND FOLLOW ALL INSTRUCTIONS**

This document gives instructions for installing a Jandy Pro Series NeverLube Backwash Valve. The instructions must be followed exactly. Read through the instructions completely before starting the procedure. Please save these instructions.

The Jandy Pro Series 2-in-1 NeverLube backwash valve is designed to be used on either sand or diatomaceous earth (DE) filters with a center-to-center dimension of 8 inches (center of the inlet port to the center of the outlet port). Used with the Jandy Pro Series versa-coupler, the NeverLube backwash valve can be used on filters with center-to-center dimensions of 7 to 9 inches.

For Jandy Pro Series Filters, NeverLube backwash valve p/n 8034J comes ready to mount to DEL48 or DEL60 model filters (outlet being the top port). If using the 8034J with another model sand or DE filter, install per label on valve. BWVL-NVL mounts to DEV48, DEV60, or JS series filters. For Pentair® or Sta-Rite® filters, a combination of p/n 8034 (NeverLube backwash valve) with p/n 8044 (Versa-Coupler Kit) can be used to mount to most models. To mount on a sand filter from a manufacturer other than Jandy Pro Series (with the inlet being the top port), simply flip the valve over. If the valve handle ends up on the bottom of the valve, remove the locking knob and handle and place on the top. Hand tighten the locking knob. See Figure 1.

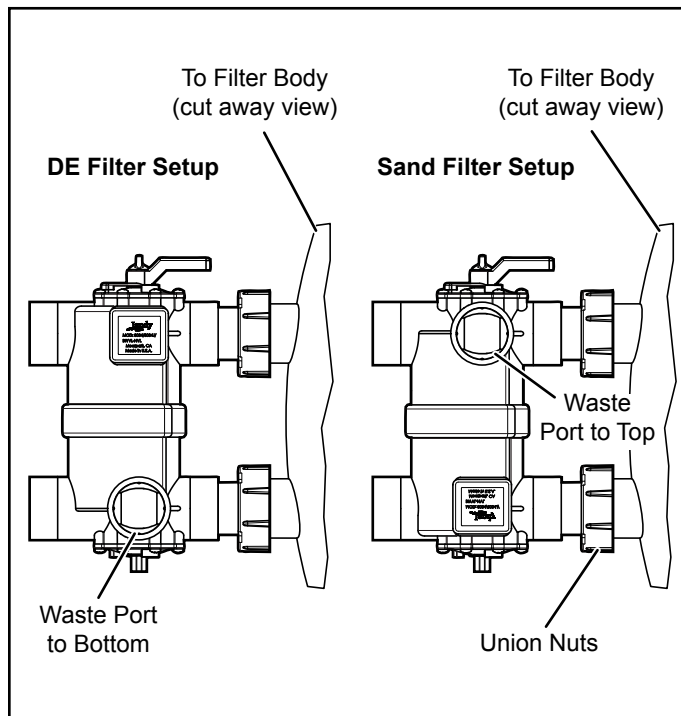
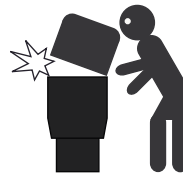


Figure 1. Handle Positions (DE and Sand)

## Section 2. DE and Sand Filters

1. Turn the locking knob on the NeverLube backwash valve counter clockwise to loosen. Turn the handle back and forth several times to verify the diverters move freely.
2. Turn off all power to the system. For retrofit installations only, follow steps "a" through "d". For new installations skip steps "a" through "d" and proceed to step 3.
  - a. Open the pressure relief valve on top of the filter. Wait for all air to evacuate the system.

### **⚠ WARNING**



**Never** attempt to assemble, disassemble or adjust the filter when there is pressurized air in the system. Starting the pump while there is any pressurized air in the system can cause the filter lid to be blown off, which can cause death, serious personal injury or property damage.

- b. If the filter is below pool level, close the suction and return line valves to isolate the filtration system.
  - c. Remove the drain plug from the filter. Let the water drain from the filter.
  - d. Remove the existing valve from the filter.
3. Remove the NeverLube backwash valve from packaging.
  4. Remove the two (2) O-rings from packaging.
  5. Place O-rings on the face of the union tail pieces, where the face of the NeverLube backwash valve union will connect to the filter bulkheads. See Figure 2. Make sure each O-ring is properly seated into the groove of each union tail piece.
  6. Holding the valve upright, place onto the filter bulkheads.

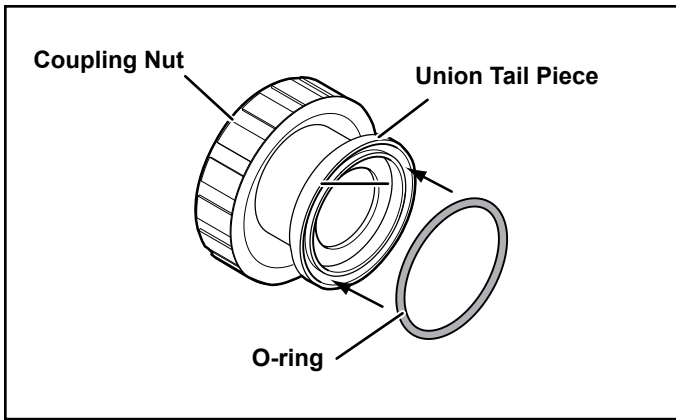


Figure 2. O-ring Placement

## CAUTION

The NeverLube backwash valve has molded labels on each port. Please note when installing the NeverLube backwash valve on sand or DE filters, ensure that the valve ports coincide with the corresponding filter ports.

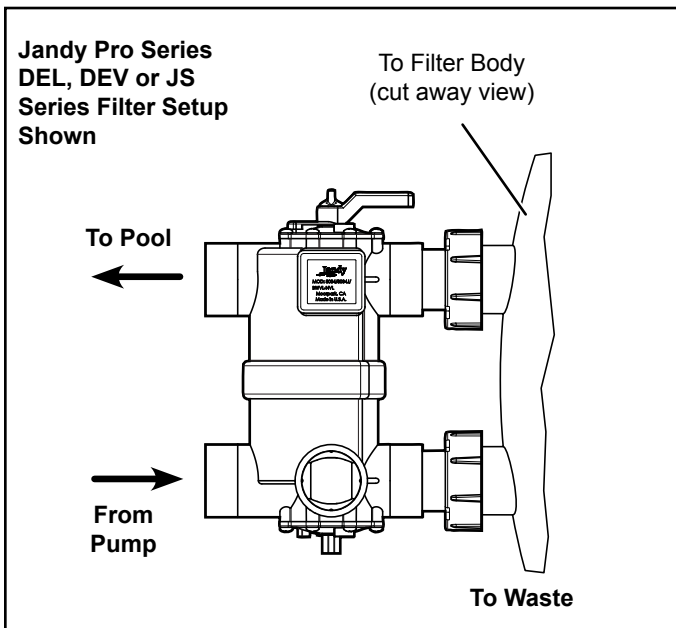


Figure 3. Couplers

## CAUTION

Do not let any adhesive get inside the valve body. Excessive adhesive inside the valve body will prevent the diverter from moving freely.

7. Tighten both union nuts to secure the valve on the filter.
8. If the valve handle is on the bottom of the valve, remove the locking knob and handle and move to the top. Hand tighten the locking knob.
9. Place filter and valve in proper location on the equipment set pad.

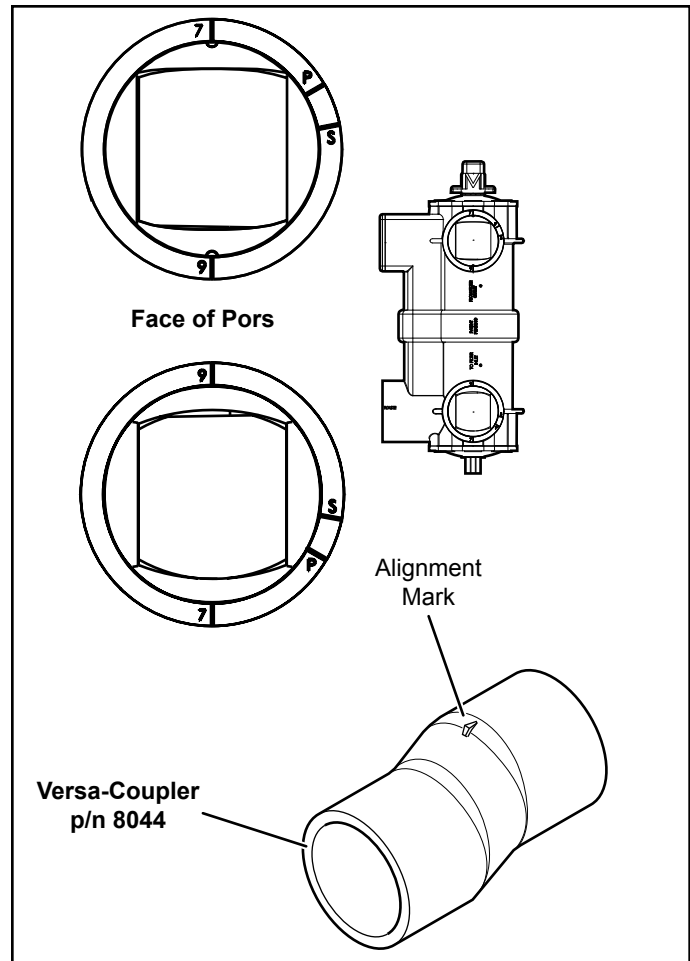


Figure 4. Jandy Versa-Coupler

10. Plumb the discharge of the pump into the NeverLube backwash valve inlet labeled **FROM PUMP**.
11. Plumb the NeverLube backwash valve outlet labeled **POOL RETURN** to the heater or pool return lines.
12. Plumb the **WASTE** ports as needed. Let the system dry for 24 hours.
13. When the glue is dry, start the system and check for proper water flow.

**NOTE:** For new installations other than Jandy Pro Series DEL, DEV, or JS series, use the NeverLube backwash valve (p/n 8034) and Versa Coupler Kit (p/n 8044). If using the NeverLube backwash valve with a Pentair® filter, use Pentair Pool Products® Union Set #27002, and then proceed to Section 2. If using a Sta-Rite® filter, use Sta-Rite Union Set #PKG188, then proceed to Section 2.

## Section 3. Versa-Coupler Installation

1. There is an alignment mark on each versa-coupler and four (4) alignment marks on the NeverLube backwash valve port faces. See Figure 4.
2. Slide a versa-coupler into the **TO FILTER INLET** and the **FROM FILTER OUTLET** ports on the NeverLube backwash valve.

**NOTE:** Certain filters require two (2) p/n 8044 versa- couplers.

3. Hold the NeverLube backwash valve up to the filter and twist the versa-couplers until they slide into the filter inlet and outlet ports. Tighten the filter union nuts.

**NOTE:** Make sure to align each versa-coupler to the filter and NeverLube backwash valve prior to gluing the assembly.

4. If the alignment marks don't line up, make a mark on the coupler and valve for reassembly.
5. Remove the valve from the filter. Clean the couplers and glue them onto the valve using the alignment marks as a reference.
6. Clean the versa-coupler(s) and glue it onto the filter, matching the valve port marked **TO FILTER INLET** with the filter inlet. Hold the coupler in place for a minimum of one (1) minute.
7. Plumb the **FROM PUMP, POOL RETURN,** and **WASTE** ports as needed. Let the system dry for 24 hours.
8. When the glue is dry, start the system and check for proper water flow.
9. After the glue has dried, flush the system by setting the valve to **BACKWASH**. Start filter pump(s). Run the system until the waste water is clean. Turn off the filter pump(s) and set the valve to **FILTER**.

## Section 4. Normal Operation

1. Make sure the valve handle is pointing towards **FILTER**.
2. Turn on the filter pump(s). Check the system for normal water flow.

## Section 5. Backwashing

### **⚠ WARNING**



**Never** attempt to assemble, disassemble or adjust the filter when there is pressurized air in the system. Starting the pump while there is any pressurized air in the system can cause the filter lid to be blown off, which can cause death, serious personal injury or property damage.

1. Turn off all system pump(s).
2. Open the pressure relief valve on top of the filter. Wait for all the air to evacuate the system.
3. Loosen the handle locking knob and turn the valve handle to the **BACKWASH** position. Tighten the locking knob.
4. Turn on the system pump(s) and run the system until the waste water runs clean.

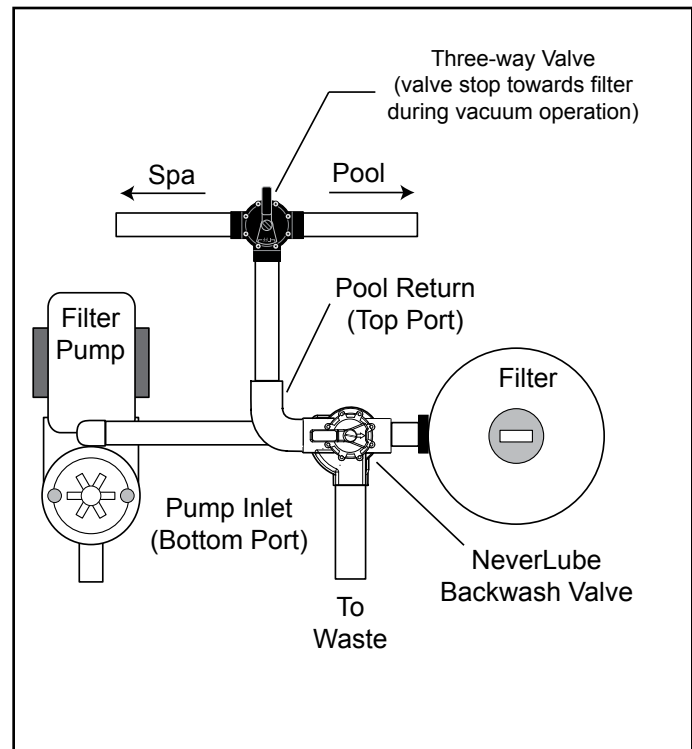
**IMPORTANT NOTE:** Be sure to follow any and all applicable local codes related to proper discharge/drainage of water from your pool/spa.

5. Close pressure relief valve when water comes out at valve.
6. Turn off all system pump(s).
7. Return the valve handle to the **FILTER** position. Tighten the locking knob.
8. Turn on system pump(s) and check for normal water flow.

## Section 6. Vacuuming to Waste (Optional)

**NOTE:** To ensure that water will **not** return to the pool or spa during the "vacuum to waste" operation, a valve is required on the **return** line to the pool. See Figure 5. Close this valve or for Jandy Pro Series valves, loosen the locking knob and ensure the valve stop is facing the filter return line.

1. Ensure that the pump is OFF (not running and not likely to turn on in "timed filter" or "heat demand" mode).
2. Close valve on return line or Jandy Pro Series valve. See **Note** above.
3. Loosen locking knob on the NeverLube backwash valve handle.
4. While turning clockwise, lift the valve handle to clear the handle stop on the valve cover. Then align the handle to the **WASTE** position on the valve cover. This closes the inlet and outlet ports of the filter.
5. Connect vacuuming hose to pool skimmer or the sweep inlet line. Turn on pump and vacuum as desired.
6. After vacuuming to waste, turn off pump, remove vacuuming hose, and return both valves to their normal operating position. Check that controls are once again set for normal operations.



**Figure 5. Vacuuming to Waste**



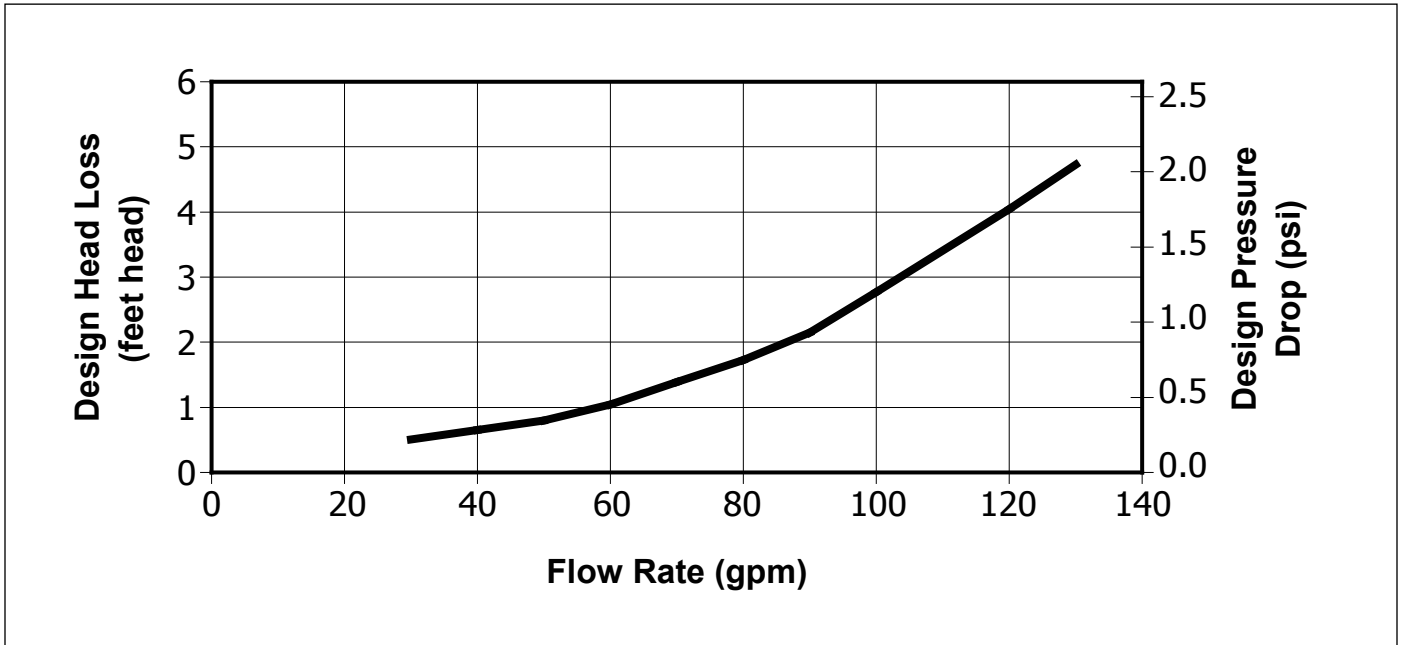
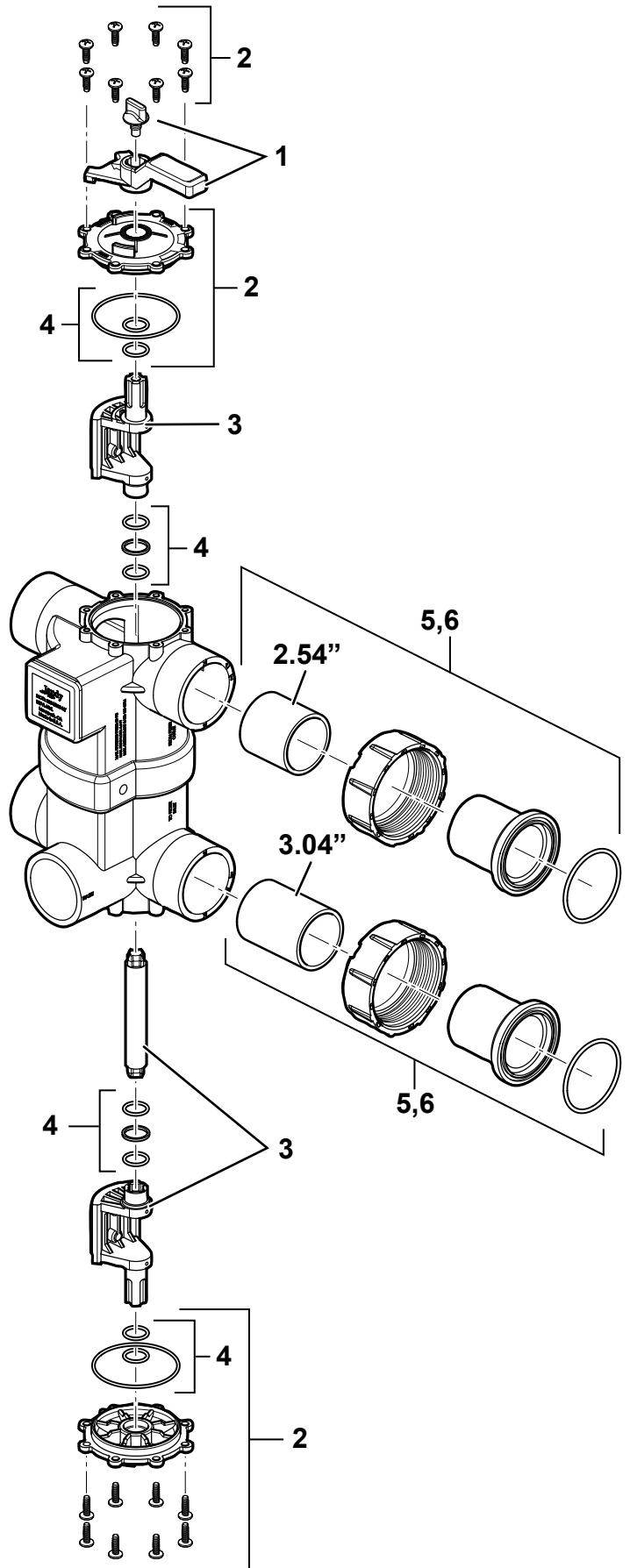
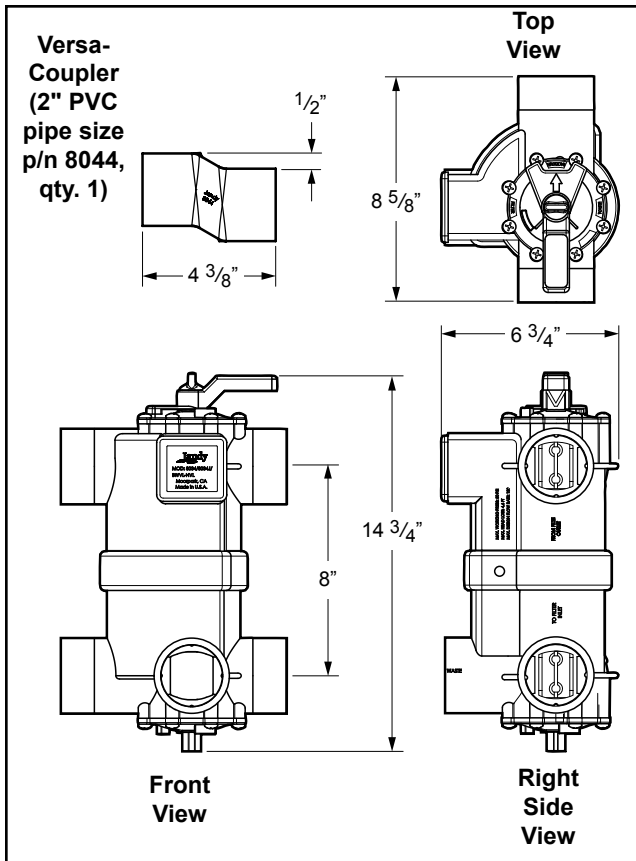


Figure 6. NeverLube Backwash Valve Head Loss Curve

## Section 7. Replacement Parts List

Key No.	Description	Qty.	Model	Order Part No.
1	Handle Replacement Kit		All	R0552100
	Locking Knob	1		
	Handle	1		
2	Lid Replacement Kit		All	R0552200
	Lid, Top (Keyed)	1		
	Lid, Bottom (Keyed)	1		
	O-ring, 151	2		
	O-ring, 116	4		
	Screws, Machine #14	16		
	Instructions, Replacement Kit	1		
3	Diverter Replacement Kit		All	R0552300
	Diverter Shaft	1		
	Diverter Assembly, Top (Blue Seal)	1		
	Diverter Assembly, Bottom (Black Seal)	1		
	Instructions, Replacement Kit	1		
4	O-Ring Replacement Kit		All	R0552400
	Par Ring	2		
	Lid O-ring	2		
	Diverter O-ring	8		
	Instructions, Replacement Kit	1		
5	Pre-Plumbed Kit w/ Unions		8034J	R0414000
	PVC Pipe, 2.54"	1		
	PVC Pipe, 3.04"	1		
	Coupling O-ring	2		
	Union Tail Piece/Flange	2		
	Coupling Nut	2		
	Instructions, Replacement Kit	2		
6	Pre-Plumbed Kit w/ Universal Unions		BWV-NVL	R0413900
	PVC Pipe, 2.54"	1		
	PVC Pipe, 3.04"	1		
	Universal Coupling O-ring	2		
	Universal Union Tail Piece/Flange	2		
	Universal Coupling Nut	2		
	Instructions, Replacement Kit	2		
7	2" Versa-Coupling	1	All	8044





Zodiac Pool Systems, Inc.  
2620 Commerce Way, Vista, CA 92081  
1.800.822.7933 | [www.ZodiacPoolSystems.com](http://www.ZodiacPoolSystems.com)

ZODIAC® is a registered trademark of Zodiac International, S.A.S.U., used under license.  
All trademarks referenced herein are the property of their respective owners.

©2012 Zodiac Pool Systems, Inc. H0551800 Rev G 1206

