



# Jandy Pro Series Wireless Handheld Remote and Spare Parts Kits for AquaLink® Controllers

## ⚠ WARNING

**FOR YOUR SAFETY** - For anything other than the routine maintenance described in this manual, this product must be serviced by a contractor who is licensed and qualified in pool equipment by the jurisdiction in which the product will be installed where such state or local requirements exist. In the event no such state or local requirement exists, the installer or maintainer must be a professional with sufficient experience in pool equipment installation and maintenance so that all of the instructions in this manual can be followed exactly. Improper installation and/or operation will void the warranty.

Ensure that all electrical power to the system is turned off before approaching, inspecting or troubleshooting any leaking valves that may have caused other electrical devices in the surrounding area to get wet. Failure to do so could result in an electrical hazard which could result in death or serious injury due to electrical shock, and may also cause damage to property and/or operation will void the warranty.

**These instructions are to be used with the following Jandy Pro Series Replacement Kit(s):**

**R0444300-- Handheld Remote Assembly Replacement Kit**

**R0687300-- 18 Channel Handheld Remote Replacement Kit**

**R0443400-- Handheld Remote Battery Door, Black, Door Seal, and Screws Replacement Kit**

**R0443500-- Handheld Remote Battery Door Screws Replacement Kit**

**R0578200-- Handheld Remote Battery Door, Blue, Door Seal, and Screws Replacement Kit**

## ⚠ WARNING

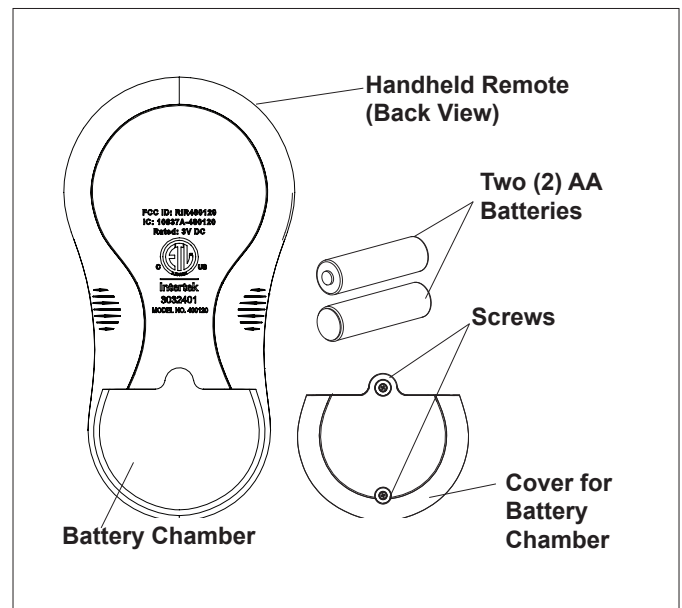
If the information in these instructions is not followed exactly, a fire or explosion may result causing property damage, personal injury or death.

This document gives instructions for replacing the Jandy Pro Series Handheld Remote assembly, battery door, door seal, and screws. These instructions must be followed exactly. Read through the instructions completely before starting the procedure. Please save these instructions.





To identify the parts that are included in your kit, refer to the parts list and exploded view located on page 3 of this manual. If any parts are missing from the kit please call your local Jandy Pro Series distributor for assistance. For technical assistance please contact our Technical Service Department at 1-800-822-7933.

### Section 1. Handheld Remote Installation and Battery/Signal Strength Check

1. Remove the new Handheld Remote from the packaging.
2. On the back of the Handheld Remote, loosen and remove the two (2) screws that secure the cover for the battery chamber (see Figure 1).



**Figure 1. Battery Installation on Handheld Remote**

3. Install the two (2) AA batteries that are included with the handheld remote. Ensure that the batteries are installed properly.
4. Re-install the cover for the battery chamber and secure with the two (2) screws removed in Step 2.
5. Press and then release the power button. The start-up screen will turn on.
6. On the left hand corner of the display screen, check the status of the Battery icon . If the batteries have full or sufficient charge, the icon will appear on the display screen as . If the batteries need to be replaced, the icon will consistently blink and appear as .
7. The Signal Strength icon , located on the left corner of the display screen, indicates the signal strength available from the Transceiver J-box to the Handheld Remote. Signal strength is affected as the Handheld Remote is moved farther away from the Transceiver J-Box. Also, obstructions, such as walls, can lower the signal strength if located between the Handheld Remote and the Transceiver J-Box.

## Section 2. Replace Battery Door, Door Seal, and Screws

1. On the back of the Handheld Remote, loosen and remove the existing two (2) screws that secure the door for the battery chamber (see Figure 1).
2. Remove the existing battery door.

**NOTE** The door seal is installed in the battery door. If the door seal is not on the battery door, check the handheld remote. The door seal may have adhered to the handheld remote.

3. Remove the new battery door from the packaging.

**NOTE** The new door seal is seated in the the groove of the battery door. Make sure the new door seal is secure in the groove.

4. Remove the two (2) new screws from the packaging.
5. Using the new screws, secure the new battery door to the handheld remote.
6. Follow *Section 1, Steps 5 through 7*, to test the handheld remote battery status and signal strength.

## Section 3. Changing the Frequency Channel

If your Handheld Remote system is turning items on or off at undesignated times, another remote control system may be in close proximity using the same or similar frequency channel. To prevent these unwanted operations, the channel for your remote control system can be changed. The Handheld Remote and the transceiver J-box must be set to the same RF channel.

**NOTE** Channel 5 is the default channel for all manufactured units. When selecting a new channel, avoid using Channel 5.

1. At the transceiver J-box, remove the cover to expose the PCB (see Figure 2).
2. On the Handheld Remote, press and hold both the UP and DOWN arrows simultaneously for three (3) seconds. After 3 seconds, the CHANNEL SETUP screen appears (see Figure 3). Select a channel.

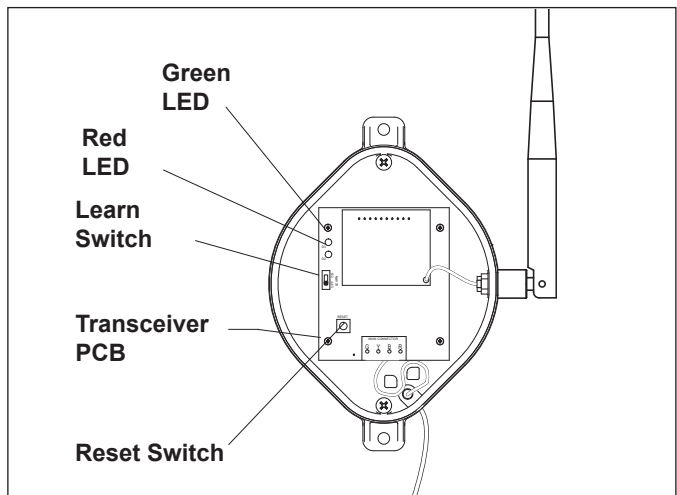


Figure 2. Tranceiver J-box - Internal View

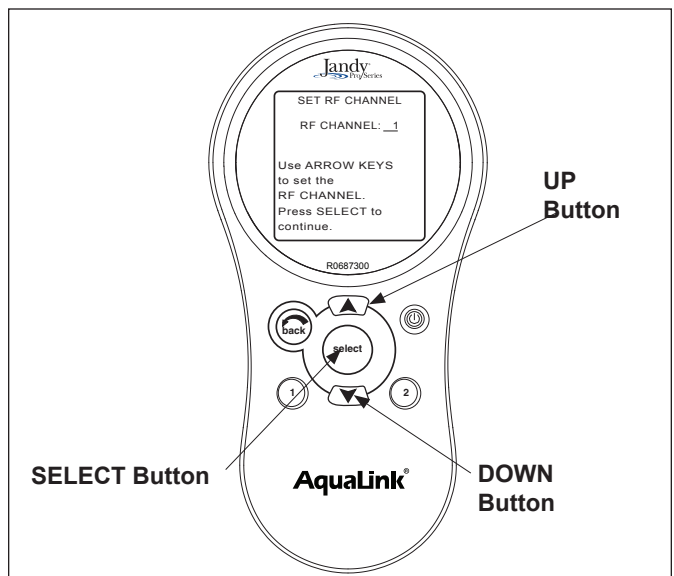


Figure 3. Handheld Remote Channel Setup and Buttons

3. Use the UP and DOWN buttons to highlight the desired RF channel. Then press SELECT.
4. When "Set" is displayed on the handheld remote's screen, slide the Learn Switch to LEARN (ON) on the J-box Transceiver PCB. See Figure 4.
5. The display will show the RF channel on J-box has been set. At the J-box, set the Learn Switch to OFF and press the Reset Switch. The Red and Green LEDs on the J-box will blink simultaneously and within 10 to 15 seconds, the main menu will appear on the handheld remote's display (see Figure 4).
6. Replace the transceiver J-box cover.

### Section 4. Replacement Kit Parts List

Key No.	Description	Qty.	Order Part No.
1	Handheld Remote Assembly	1	R0444300
1	18 ChannelHandheld Remote Assembly	1	R0687300
2	Battery Door, Black	1	R0443400
	Door Seal	1	
	Screws	2	
3	Battery Door Screws	2	R0443500
4	Battery Door, Blue	1	R0578200
	Door Seal	1	
	Screws	2	

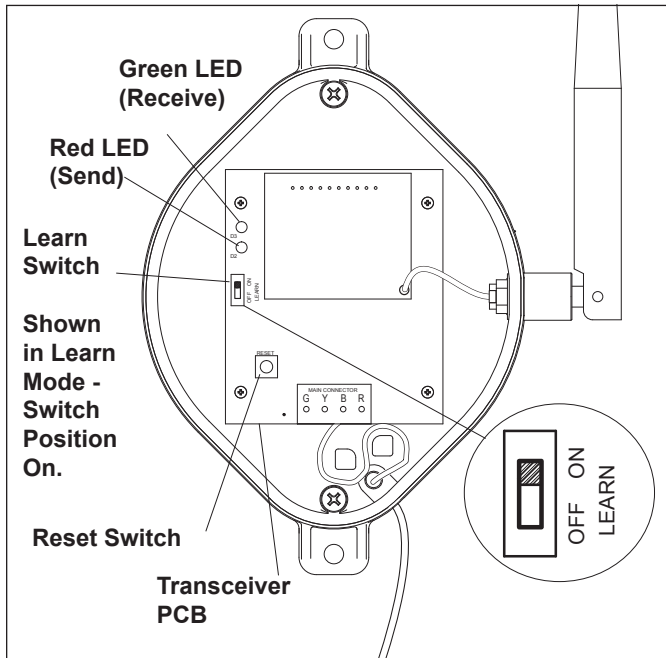


Figure 4. Transceiver J-box PCB Learn Switch

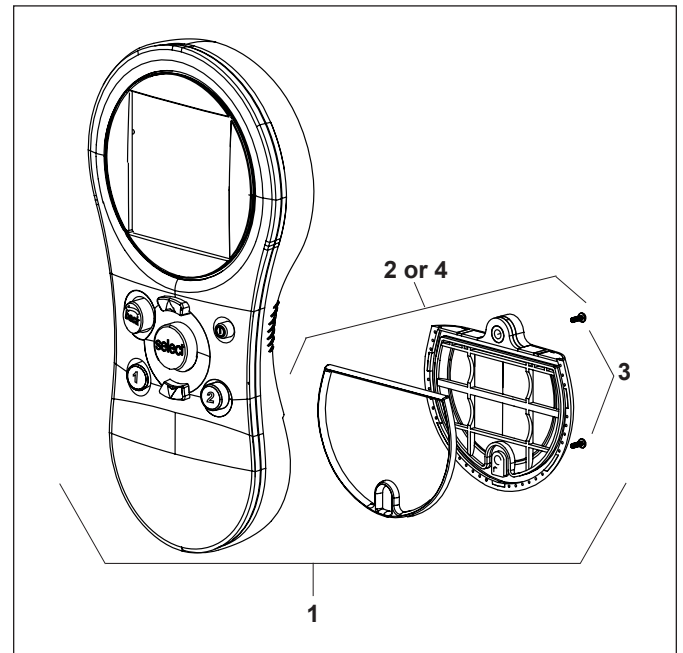


Figure 5. Handheld Remote Exploded View



**Intertek**

ETL LISTED  
CONFORMS TO UL-STD 1563  
CERTIFIED TO CAN/CSA C22.2 NO.218.1

**Zodiac Pool Systems, Inc.**

2620 Commerce Way, Vista, CA 92081  
1.800.822.7933 | [www.ZodiacPoolSystems.com](http://www.ZodiacPoolSystems.com)

©2016 Zodiac Pool Systems, Inc. ZODIAC® is a registered trademark of Zodiac International, S.A.S.U., used under license. All other trademarks referenced herein are the property of their respective owners.

H0572800\_REVG