

VersaTemp™ JRT Series Heat Pump

WARNING

FOR YOUR SAFETY – This product must be installed and serviced by a contractor who is licensed and qualified in pool equipment by the jurisdiction in which the product will be installed where such state or local requirements exist. The maintainer must be a licensed HVAC technician certified in heat pump repair and maintenance by the jurisdiction in which the product will be installed where such state or local requirements exist. The technician must possess and comply with all certifications and regulations regarding the purchasing, handling, transportation and reclamation of R410A refrigerant. In the event no such state or local requirement exists, the installer or maintainer must be a professional with sufficient experience in pool equipment installation and maintenance so that all of the instructions in this manual can be followed exactly. Before installing this product, read and follow all warning notices and instructions that accompany this product. Failure to follow warning notices and instructions may result in property damage, personal injury, or death. Improper installation and/or operation may void the warranty.



Improper installation and/or operation can create unwanted electrical hazard which may cause serious injury, property damage, or death.
ATTENTION INSTALLER – This manual contains important information about the installation, operation and safe use of this product. This information should be given to the owner/operator of this equipment.

Table of Contents

Section 1. General Information..... 3	Section 6. General Maintenance..... 23
1.1 Introduction..... 3	6.1 Water Chemistry 23
1.2 Consumer Information & Safety..... 3	6.2 Winterizing..... 23
1.3 Warranty..... 5	6.3 Spring Startup..... 23
1.4 Codes and Standards..... 5	6.4 Inspection and Service 24
1.5 Technical Assistance 5	Section 7. Professional Maintenance
1.6 Materials Needed for Installation..... 5	and Service 25
1.7 Specifications 6	7.1 Heat Pump Design..... 25
Section 2. Installation Instructions..... 8	7.2 Heat Pump Components
2.1 General Information..... 8	and Operation..... 25
2.2 Location Requirements..... 8	Section 8. Troubleshooting 26
Section 3. Water Connections 10	8.1 Troubleshooting Guide..... 26
3.1 Plumbing Layout 10	8.2 Diagnostics 27
3.2 Water Connections at Heat Pump 10	Section 9. Replacement Parts 28
3.3 Check Valve Installation..... 10	9.1 Ordering Information..... 28
3.4 Multiple Unit Installation 10	9.2 Jandy JRT Heat Pumps
3.5 Head Loss Curves 12	Parts List..... 28
Section 4. Electrical Connections 13	9.3 Jandy JRT Heat Pumps
4.1 General Information 13	Exploded View 30
4.2 Main Power..... 13	9.4 Jandy JRT Single Phase
4.3 Bonding 16	Electric Box..... 31
4.4 Optional Remote Controls 16	9.5 Jandy JRT Three Phase
Section 5. Operation 19	Electric Box..... 32
5.1 Initial Startup Precautions..... 19	
5.2 Operating the Controller 19	
5.3 Chiller Operating Feature..... 20	
5.4 User Setup Options 21	
5.5 Set Point Lockout..... 21	
5.6 Water Pressure Switch Adjustment 22	
5.7 Hot Gas Defrost..... 22	

EQUIPMENT INFORMATION RECORD

Date Of Installation _____
Installer Information _____
Initial Pressure Gauge Reading (with Clean Filter) _____
Pump Model _____ Horsepower _____
Notes _____

Section 1. General Information

READ AND FOLLOW ALL INSTRUCTIONS

1.1 Introduction


This manual provides installation and operation instructions for the Jandy JRT models of heat pumps. Read these installation and operation instructions completely before proceeding with the installation. Consult Zodiac Pool Systems LLC (“Zodiac”) with any questions regarding this equipment. To obtain additional copies of this manual contact us at 800.822.7933.

Zodiac Pool Systems LLC
 2882 Whiptail Loop # 100
 Carlsbad, CA 92010 USA

The Jandy JRT heat pump gets electrical power from an external source and provides a dual digital thermostat control system for pool/spa combinations or preheat convenience.

This heat pump is specifically designed for heating fresh water swimming pools and spas. Do not use it as a general service heater. Consult your dealer for the appropriate Jandy products for these applications.

NOTE: “Fresh water swimming pools and spas” include systems that utilize saltwater chlorine generator units, such as the Jandy AquaPure® Electronic Chlorine Generator. Please ensure that the salt content of the pool/spa *does not exceed* 4500 ppm and water flow rate is within 30-70 gpm (114-265 lpm). Always install any type of sanitation device on the outlet of the heater with a check valve between the heater outlet and sanitation device. See *Section 3.3, Check Valve Installation*.

ATTENTION		
Installation and service must be performed by a qualified installer or service agency.		
<p>To the Installer:</p> 	<p>After installation, these instructions must be given to the homeowner or left on or near the heat pump.</p>	<p>To the User:</p> <p>This manual contains important information that will help you in operating and maintaining this heat pump. Please retain it for future reference.</p>

1.2 Consumer Information & Safety

The Jandy JRT series of heat pumps are designed and manufactured to provide many years of safe and reliable service when installed, operated and maintained according to the information in this manual and the installation codes referred to in later sections. Throughout the manual, safety warnings and cautions are identified by the “⚠” symbol. Be sure to read and comply with all of the warnings and cautions.

Spa/Hot Tub Safety Rules

⚠ WARNING
The U.S. Consumer Product Safety Commission warns that elevated water temperature can be hazardous. Consult heater operation and installation instructions for water temperature guidelines before setting temperature.

⚠ WARNING

The following "Safety Rules for Hot Tubs", recommended by the U.S. Consumer Product Safety Commission, should be observed when using the spa:

- Spa or hot tub water temperature should never exceed 104°F (40°C). One hundred degrees Fahrenheit (100°F [38°C]) is considered safe for a healthy adult. Special caution is recommended for young children.
- The drinking of alcoholic beverages before or during spa or hot tub use can cause drowsiness which could lead to unconsciousness, and subsequently result in drowning.
- **Pregnant women take note!** Soaking in water above 102°F (38.5°C) can cause fetal damage during the first three (3) months of pregnancy (which could result in the birth of a brain-damaged or deformed child). If pregnant women are going to use a spa or hot tub, they should make sure the water temperature is below 100°F (38°C) maximum.
- The water temperature should always be checked with an accurate thermometer before entering a spa or hot tub. Temperature controls may vary by as much as 1°F (1°C).
- Persons with a medical history of heart disease, diabetes, circulatory or blood pressure problems should consult their physician before using a hot tub or spa.
- Persons taking any medication which induces drowsiness (e.g., tranquilizers, antihistamines, or anticoagulants) should not use spas or hot tubs.

⚠ WARNING

Prolonged immersion in hot water can induce hyperthermia.

Hyperthermia occurs when the internal body temperature reaches a level several degrees above the normal body temperature of 98.6°F (37°C). Symptoms include dizziness, fainting, drowsiness, lethargy, and an increase in the internal body temperature. The effects of hyperthermia include:

- Lack of awareness of impending hazard
- Failure to perceive heat
- Failure to recognize need to leave spa
- Physical inability to leave spa
- Fetal damage in pregnant women
- Unconsciousness resulting in a danger of drowning

⚠ WARNING

This appliance is not intended for use by persons (including children) with reduced physical, sensory or mental capabilities, or lack of experience and knowledge, unless they have been given supervision or instruction concerning use of the appliance by a person responsible for their safety.

⚠ WARNING

PREVENT CHILD DROWNING: Do not let anyone, especially small children, sit, step, lean or climb on any equipment installed as part of your pool's operational system. Locate the components of your operational system at least 1.5 m (5 ft) from the pool so children cannot use the equipment while in the pool and be injured or drown.

SAVE THESE INSTRUCTIONS

Swimming Pool Energy Saving Tips

It is important to note that a heat pump will not heat a pool as fast as a large gas or electric pool heater. If the pool water is allowed to cool significantly, it may take several days to return to the desired swimming temperature. For weekend use, it is *more economical* to maintain the pool water temperature at or near your desired swimming temperature. If you do *not* plan to use your pool for a prolonged period, then you might choose to turn the heat pump completely off or decrease the temperature setting of the control several degrees to minimize energy consumption.

Jandy offers the following recommendations to help conserve energy and minimize the cost of operating your heat pump without sacrificing comfort.

1. The American Red Cross recommends a maximum water temperature of 78°F (25°C). Use an accurate pool thermometer. A difference of 4°F (2°C), between 78°F and 82°F (26°C and 28°C), will significantly increase energy consumption.
2. Carefully monitor the water temperature of your pool in the summertime. You can reduce heat pump usage due to warmer air temperatures.
3. During the winter or when on vacation for longer than a week, turn off the heat pump.
4. Find the proper setting on the heat pump temperature control and use the Set Point Lockout or lock the cover on the heat pump controller to discourage further adjustments.
5. Set the pump time clock to start the pump no earlier than 6:00 AM during the pool heating season. This is the time when nightly heat loss balances.
6. Where possible, shelter the pool from prevailing winds with well-trimmed hedges or other landscaping, cabanas, or fencing.
7. The use of an automatic pool cover, if installed, provides a valuable safety feature, reduces heat loss, conserves chemicals, and reduces the load on filtration systems.
8. The use of a solar blanket can reduce the heat loss caused by evaporation on the surface area of the pool.

1.3 Warranty

The Jandy JRT heat pump is sold with a limited factory warranty.

Make all warranty claims to your Jandy dealer or directly to Jandy. Claims must include the heat pump serial number and model (this information can be found on the rating plate), installation date, and name of the installer. Shipping costs are not included in the warranty coverage.

The warranty does not cover damage caused by improper assembly, installation, operation, winterizing, field modification, or failure to earth bond and properly ground the unit. Any changes to the heat pump, evaporator, heat exchanger, wiring, or improper installation may void the warranty.

1.4 Codes and Standards

The Jandy JRT heat pump is listed by ETL® as complying with the latest edition of the "UL Standard for Electrical Heat Pumps, Air-Conditioners, and Dehumidifiers", UL 60335-2-40 and CSA No. 60335-2-40.

All Jandy heat pumps must be installed in accordance with the local building and installation codes as per the utility or authority having jurisdiction. All local codes take precedence over national codes. In the absence of local codes, refer to the latest edition of the National Electrical Code® (NEC®) in the United States and the Canadian Electrical Code (CEC®) in Canada for installation.

1.5 Technical Assistance

Consult the Jandy technical support department or your local Jandy dealer with any questions or problems involving your Jandy equipment. An experienced technical support staff is ready to assist you in assuring the proper performance and application of Jandy products. For technical support call the Jandy technical support department at 800.822.7933.

1.6 Materials Needed for Installation

The following items are needed and are to be supplied by the installer for **all** heat pump installations:

1. Plumbing connections (2").
2. Level surface for proper drainage. (See equipment pad for pitch requirements.)
3. Suitable electrical supply line. See rating plate on unit for electrical specifications. A junction box is not needed at the heat pump; connections are made inside of the heat pump electrical compartment. Conduit may be attached directly to the heat pump jacket.

NOTE: Flex conduit is recommended for connecting the electrical supply wires to the heat pump so that the front panel may be removed easily for servicing.

4. Electric cutout switch that will interrupt all power to the unit. This switch *must* be within line of sight of the heat pump.
5. Watertight conduit to run the electrical supply line.

1.7 Specifications

Suitable for outdoor use only. Clearances shown in *Table 2* must be adhered to.

Water Pipe/Heater Connection	
Plastic	2" PVC (Unions included)
Flow Rate	
Maximum	70 gpm (265 lpm)
Optimum	JRT2000R = 42 gpm (159 lpm), JRT2500R = 48 gpm (182 lpm), JRT3000R/R3 = 57 gpm (216 lpm)
Minimum	JRT2000R/2500R = 20 gpm (76 lpm) JRT3000R/R3 = 30 gpm (114 lpm)
Operating Water Temperature	
Minimum	32°F (0°C)
Maximum	104°F (40°C)
Maximum Working Water Pressure	
	75 psi
Electrical Supply	
Voltage Requirements	
1-Phase	230 VAC 60Hz
3-Phase	208-230 VAC 60Hz (for JRT3000R3 model only)
Maximum Working Refrigerant Pressure	
	600 PSI
Dimensions	
See <i>Figure 1</i> for heat pump's dimensions and for dimensions to critical connections.	
Technical Specifications	
See <i>Table 1</i> for the Jandy JRT heat pump technical specifications.	

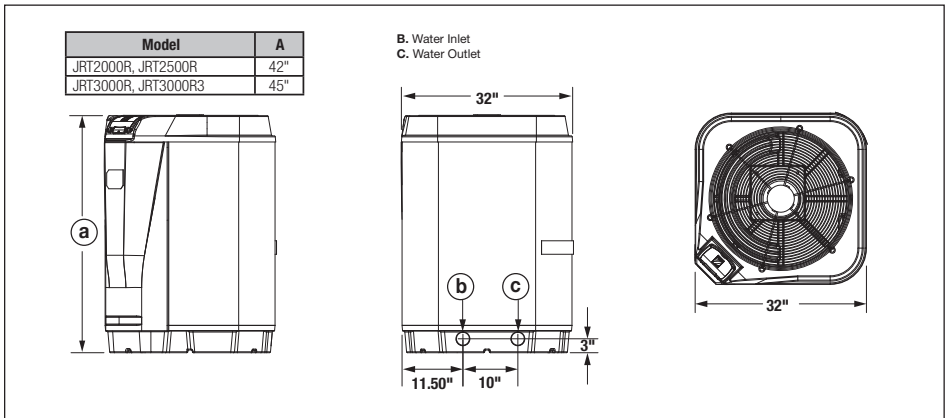


Figure 1. Jandy JRT Heat Pumps Dimensions

Model	JRT2000R	JRT2500R	JRT3000R	JRT3000R3
Voltage	208/230V/60HZ	208/230V/60HZ	208/230V/60HZ	208/230V/60HZ
Output (80/80/80)*	103,000 BTUs	116,000 BTUs	130,000 BTUs	130,000 BTUs
Input (80/80/80)*	4.72 kW	5.23 kW	6.57 kW	6.2 kW
COP (80/80/80)*	6.4	6.5	5.8	6.1
Output (80/63/80)**	96,000 BTUs	109,000 BTUs	124,000 BTUs	124,000 BTUs
COP (80/63/80)**	6.1	6.1	5.6	5.9
Output (50/63/80)**	62,000 BTUs	70,000 BTUs	82,000 BTUs	85,000 BTUs
COP (50/63/80)***	4.1	4.1	4.0	4.4
RLA (Running Load Amps)	28.3A	29A	32.5A	33A
LRA (Locked Rotor Amps)	178A	145A	148A	179A
Minimum Circuit Ampacity	38A	39A	40A	40A
Max Over Current Protection#	40A	50A	50A	50A
Chiller Feature	YES	YES	YES	YES
Hot Gas Defrost	YES	YES	YES	YES
Heat Exchanger	Ti Twisted Coil			
Compressor	Scroll			
Cabinet	ABS			
Maximum Height Below Water Level	10 feet			
Minimum Height Above Water Level	5 feet			
Optimal Water Flow	42 GPM	48 GPM	57 GPM	57 GPM
Minimum Water Flow	20 GPM	20 GPM	30 GPM	30 GPM
Maximum Water Flow	70 GPM			
Air Flow	3600 CFM			
Union Size	2" PVC Tail Piece / Nut			
Weight	232 lbs	242 lbs	252 lbs	300 lbs
* Rated in accordance with AHRI Standard 1160. Test Conditions: 80°F Air, 80% RH, 80°F Water.				
** Rated in accordance with AHRI Standard 1160. Test Conditions: 80°F Air, 63% RH, 80°F Water.				
*** Rated in accordance with AHRI Standard 1160. Test Conditions: 50°F Air, 63% RH, 80°F Water.				
**** Max Over Current Protection refers to the maximum breaker size allowed. If this value is not a standard breaker size, use the next smallest standard size breaker. The breaker size must not be smaller than the Minimum Circuit Ampacity value.				

Table 1. Jandy JRT Heat Pump Technical Specifications

Section 2. Installation Instructions

2.1 General Information

Install the Jandy heat pumps in accordance with the procedures in this manual, local codes and ordinances, and in accordance with the latest edition of the appropriate national code. (See *Section 1.4, Codes and Standards.*) Correct installation is required to assure safe operation. The requirements for Jandy heat pumps include the following:

1. Field assembly (if required).
2. Appropriate site location and clearances.
3. Sufficient air ventilation.
4. Proper electrical wiring.
5. Adequate water flow.

This manual provides the information needed to meet these requirements. Review all application and installation procedures completely before continuing the installation.

2.2 Location Requirements

NOTE: Indoor installations are not recommended. Call Jandy technical support for more information at 800.822.7933.

⚠ CAUTION
<p>When pool equipment is located below the pool surface, a leak from any component can cause large scale water loss or flooding. Zodiac® cannot be responsible for such water loss or flooding or resulting damage.</p>

Avoid placing the heat pump in locations where it can cause damage by water or condensate leakage. If this is not possible, provide a suitable drain pan to catch and divert any leakage.

All criteria given in the following sections reflect minimum clearances. However, each installation must also be evaluated, taking into account the prevailing local conditions such as proximity and height of walls, and proximity to public access areas.

Clearances

The heat pump must be placed to provide clearances on all sides for maintenance and inspection. See *Table 2*.

Access in front of the heat pump of 24" (60 cm) provides adequate room for serviceability.

If the heat pump is to be installed under a vertical overhang, the unit must have a minimum of 5 feet (1.5 meters) clearance from the top of the heat pump.

Side of Heat Pump	Minimum Clearances for Operation		Recommended Clearances for Serviceability	
	inches	cm	inches	cm
Front	24	60	36	90
Rear	12	30	24	60
Left	12	30	24	60
Right	12	30	24	60
Top	60	150	60	150

Table 2. Heat Pump Clearances

NOTE: Clearances listed in *Table 2* are manufacturer's tested values. These are given as minimum values. Where local and national codes apply, and values are different than those listed in *Table 2*, use the greater value to ensure safe and proper operation.

In the U.S., the heat pump must be installed at least 5 feet (1.5 meters) from the inside wall of the pool or spa unless the heat pump is separated from the pool or spa by a 5 foot (1.5 meters) high solid fence or other permanent barrier.

In Canadian installations, the minimum distance to be maintained from the inside wall of the pool or spa is 3 meters (approx. 10 feet).

Equipment Pad

Place the heat pump on a flat slightly pitched surface, such as a concrete or fabricated slab (pad). This allows proper drainage of condensation and rain water from the base of the unit. If possible, the pad should be placed at the same level or slightly higher than the filter system equipment pad.

NOTE: Ensure that the pad is pitched not more than ¼ inch per foot per toward the compressor end (front) of the heat pump. Pitch slab from back to front ¼ inch per foot maximum and level from side to side.

Condensation and Drainage

Condensation will occur from the evaporator coil while the unit is running and drain at a steady rate, usually 3 to 5 gallons (11.4 to 18.9 liters) per hour, depending upon ambient air temperature and humidity. The more humid the ambient conditions, the more condensation will be produced. Keep the drain holes of the base of the unit clear of debris.

Lawn Sprinklers

Keep lawn sprinkler heads from spraying on the heat pump to prevent corrosion and damage. Use a deflector if needed.

Roof Run-off

Make sure the heat pump is not located where large amounts of water may run-off from a roof into the unit. Sharp sloping roofs without gutters will allow massive amounts of rain water, mixed with debris from the roof to be forced through the unit. A gutter or down spout may be needed to protect the heat pump.

Installation of Anchor Clamps

In Florida, building codes require that the heat pump be anchored to the equipment pad or platform to withstand high wind pressures created during hurricanes. Other jurisdictions may have similar requirements. Please check your local codes for further details.

This heat pump is provided with anchor clamps designed to hold the unit to the equipment pad in high wind conditions. Installation of the anchor clamps is recommended in all installations and are required in Florida (reference Florida Building Code, Mechanical Section 301.13).

To install the anchor clamps:

1. Be sure that the heat pump is in its permanent location on the equipment pad.
2. Place the clamps at the base of the heat pump in the locations indicated in *Figure 2*.
3. Fit the hook of each clamp over the lip on the base panel of the heat pump. The hook should fit between the lip of the base panel and the evaporator coil guard (see *Figure 3*).
4. Mark the position of the hole in each clamp on the equipment pad.
5. Drill a hole in the cement using a masonry drill bit, with a diameter as determined by the concrete anchor, at each of the marks on the equipment pad. The hole should be approximately 1-3/4" deep.
6. Insert a bolt anchor into each of the holes. Be sure the anchors are set completely into the holes.
7. Position the anchor clamps so that the holes in the clamps are over the bolt anchors. Be sure that the clamp hooks are over the lip of the heat pump base (see *Figure 3*).
8. Insert an anchor bolt through each clamp into the anchor and tighten to secure the clamp and heat pump to the equipment pad.

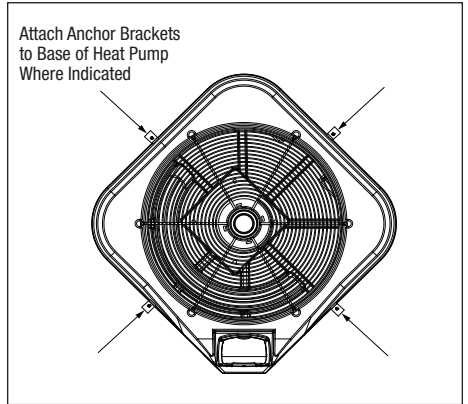


Figure 2. Anchor Clamp Positions

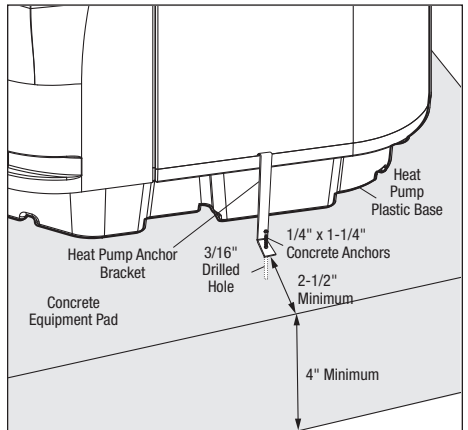


Figure 3. Anchor Clamp Installation

Section 3. Water Connections

3.1 Plumbing Layout

Figure 4 illustrates the standard plumbing layout with a single heat pump unit. Following the diagram from right to left, the plumbing sequence is as follows:

Pool > Pool Pump > Filter > Heat Pump > Check Valve > Chemical Loop > Chlorinator > Pool

NOTE: For normal installations, do not install a shutoff valve or any kind of variable restriction in the water piping between the heat pump outlet and the pool/spa.

Arrangement of pool system components other than as illustrated in the preceding and following diagrams can affect the operation of the heat pump's water pressure switch. Location of the heat pump above or below the pool water surface can also affect operation of the switch. In general, the pressure switch can be adjusted to accommodate this effect if the heat pump water connections are no more than 10 feet below the pool water surface or no more than 5 feet above it. See instructions for pressure switch adjustment (*Section 5.6, Water Pressure Switch Adjustment*) in the heat pump startup section of this manual for more information. If the heat pump is installed outside of this range, an external flow switch may need to be installed in the plumbing upstream of the heat pump. Call the Jandy technical support department at 800.822.7933 for details.

Be advised that when pool equipment is located below the pool surface a leak can result in large scale water loss or flooding. Jandy cannot be responsible for such water loss or flooding or the damage caused by either occurrence.

3.2 Water Connections at Heat Pump

Filtered water is plumbed to the inlet, located on the lower rear of the heat pump. The inlet water connection is on the left. Heated water flows through the outlet, located on the right. Two inch (2") unions are provided. Plastic piping (PVC Schedule 40) should be connected to the heat pump. The unions, provided with the unit, accept 2" PVC pipe.

If the water flow is greater than 70 GPM, then an external bypass must be installed. See piping diagram for more detail.

⚠ CAUTION

Make sure that flow requirements and pool water turn over rates can be maintained with the installation of additional heat pumps and plumbing restrictions.

3.3 Check Valve Installation

⚠ WARNING

A check valve can interfere with the proper operation of certain Suction Vacuum Release System (SVRS) products. To avoid possible entrapment hazard, serious injury, or death, make sure to review the operation/owners manual of your particular SVRS product before installing the check valve.

The heat pump must be protected from back-siphoning of water. If there is any chance of back-siphoning, provide a check valve between the pool and the filter pump inlet.

When an automatic chemical feeder is installed in the plumbing, it must be installed downstream of the heat pump. A check valve must be installed between the heat pump and the chemical feeder to prevent back-siphoning of chemically saturated water into the heat pump where it will damage the components.

3.4 Multiple Unit Installation

Heat Pump and Heater Combination

In certain regions of the country it may be more economical to run a heat pump during the warmer months and a gas heater during the cooler months. In some situations it may be desirable to run the heat pump in the "Chiller" mode during the hottest portion of the year and a heater during the cooler months. The Jandy heat pump may be plumbed with a gas or electric heater or any combination of heat sources including solar. All heat sources must be plumbed in series to work correctly and efficiently.

Figure 5 illustrates a recommended plumbing layout for a heat pump / heater / solar combination heating system for a pool / spa combination. Your system may not contain all of these components, but the basic plumbing will apply by eliminating the component in the illustration that is not a part of your system.

Multiple Heat Pump Connections

All plumbing on multiple heat pump installations must be done in parallel (see *Figure 6* and *Figure 7*). An equal flow of water to each heat pump is important for optimum operation.

NOTE: It may be necessary to adjust water pressure switch if a unit is installed below the water level. See "*Section 5.6, Water Pressure Switch Adjustment*" for details on when and how to adjust the pressure switch.

NOTE: Each heat pump allows a maximum flow rate of 70 gpm (265 lpm) and requires a minimum of 20 gpm (76 lpm) for JRT2000R/2500R and 30 gpm (114 lpm) for JRT3000R/JRT3000R3.

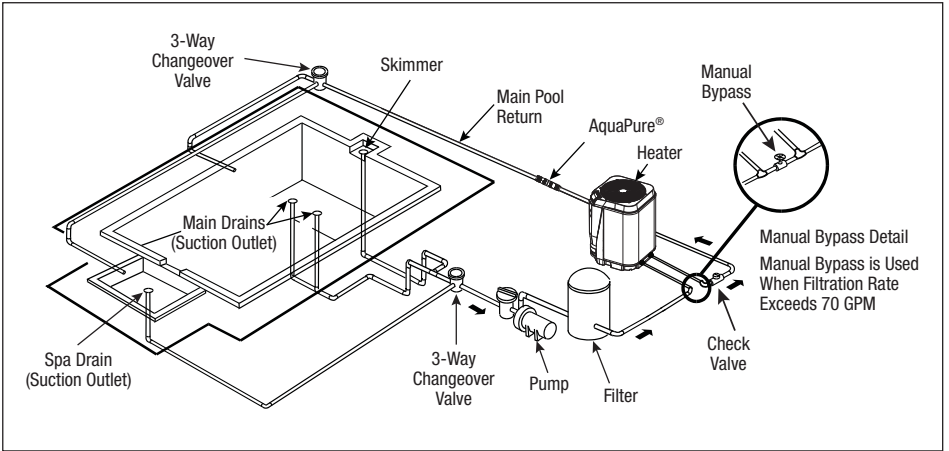


Figure 4. Standard Plumbing Layout

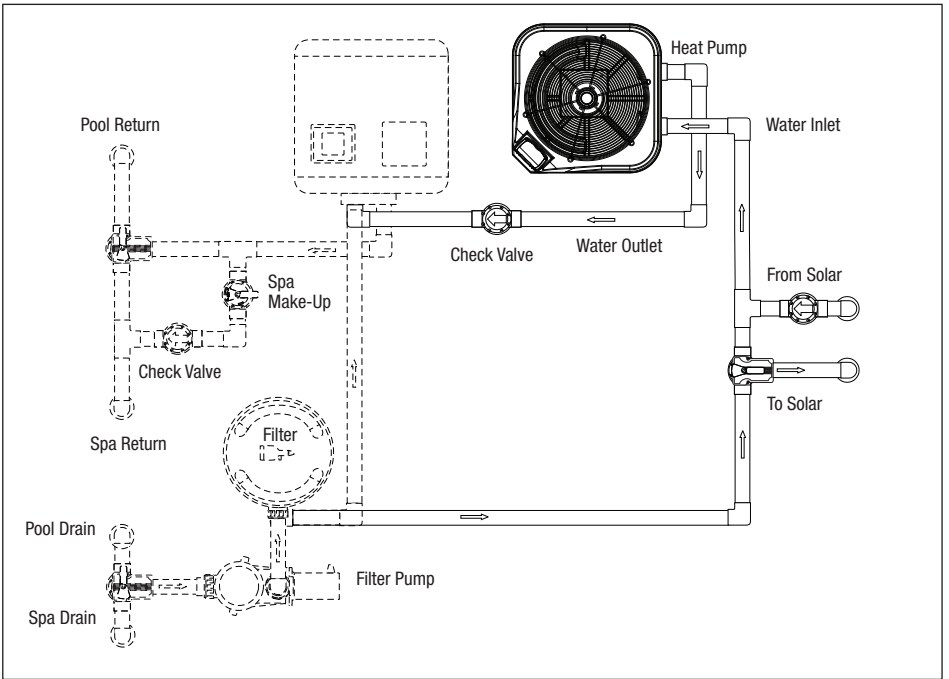


Figure 5. Plumbing for Heating System Combinations

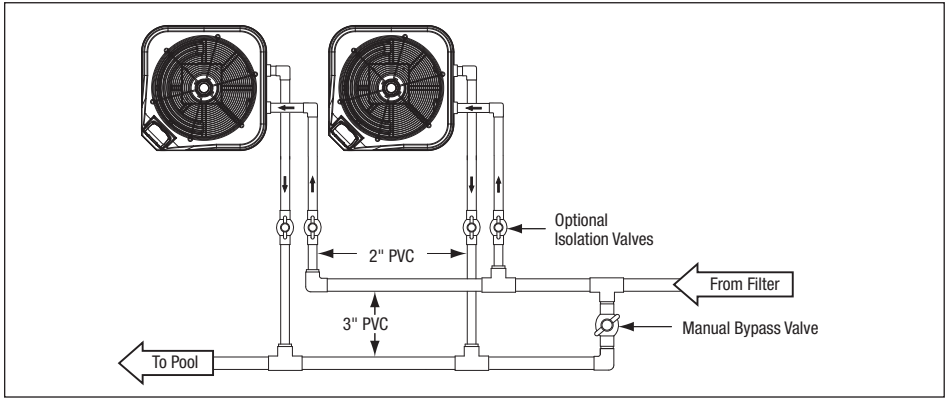


Figure 6. Two (2) Heat Pump Plumbing Layout

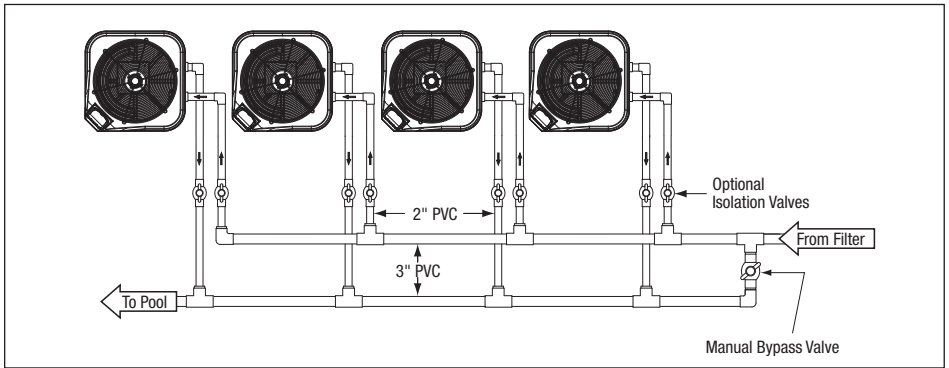
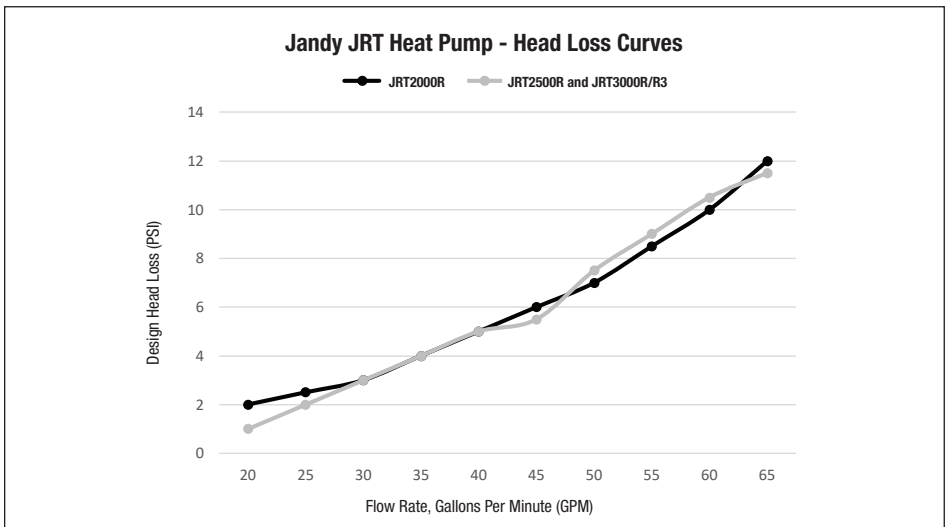


Figure 7. Four (4) Heat Pump Plumbing Layout

3.5 Head Loss Curves



Section 4. Electrical Connections

4.1 General Information

Wiring connections must be made exactly as shown in the wiring diagram found on the inside of the heat pump access compartment (see *Figure 8* for single phase electrical wiring). The heat pump must include a definite means of grounding and bonding. There is a bonding lug on the right side of the heat pump, where a bond wire must be attached.

4.2 Main Power

Electrical wiring to the heat pump must be in accordance with the latest edition of the National Electric Code® (NEC®), ANSI/National Fire Protection Association (NFPA 70®) in the United States, and in Canada, the Canadian Electrical Code (CSA® C22.1), unless local code requirements indicate otherwise.

The heat pumps come factory-wired intended for use with 230 VAC, 60 Hz single phase. See the rating plate for the electrical specifications. All wiring must be done by a certified electrician.

The following is the procedure to wire the Jandy JRT heat pump to the electrical source specified on the rating plate:

1. Be sure the power to the circuit for the heat pump is turned off.
2. Remove the three (3) screws that attach the service/access panel to the heat pump unit (see *Figure 10*).
3. Remove the front panel.
4. Remove the screw on the right side of the control box.
5. Open the control box.
6. Run the electrical conduit through the base of the unit.
7. Connect the electrical conduit to the right-side of the control box with the conduit connector.
8. Connect the wires to the terminals on the main contactor as shown in the wiring diagram. See *Figure 8*.
9. Connect the ground wire to the ground lug provided in the electrical compartment.
10. Close the control box and secure with the provided screw.
11. Reseat the service access panel and secure with the provided screws.
12. Connect a copper bonding wire (8 AWG). In Canada, it shall be not smaller than 6 AWG (13.3 mm²) to the bonding lug on the right side of the heat pump.

⚠ WARNING

ELECTRICAL SHOCK HAZARD. This heat pump contains wiring that carries high voltage. Contact with these wires may result in severe injury or death. Disconnect power circuit before connecting the heat pump.

⚠ WARNING

Follow all applicable installation codes. Prior to installation or performing any service, turn off all switches and the main breaker in the pool/spa pump electrical circuit. Failure to comply may cause a shock or hazard resulting in severe personal injury or death.

While disconnecting and/or connecting any electrical wiring, be careful not to damage or abrade any of the wiring.

⚠ CAUTION

Label all wires prior to disconnection when servicing controls. Wiring errors can cause improper and dangerous operation. Verify proper operation after servicing.

4.2.1 Disconnect Means

A means for disconnecting the power to the heat pump must be located within sight of the equipment and installed in accordance with local code.

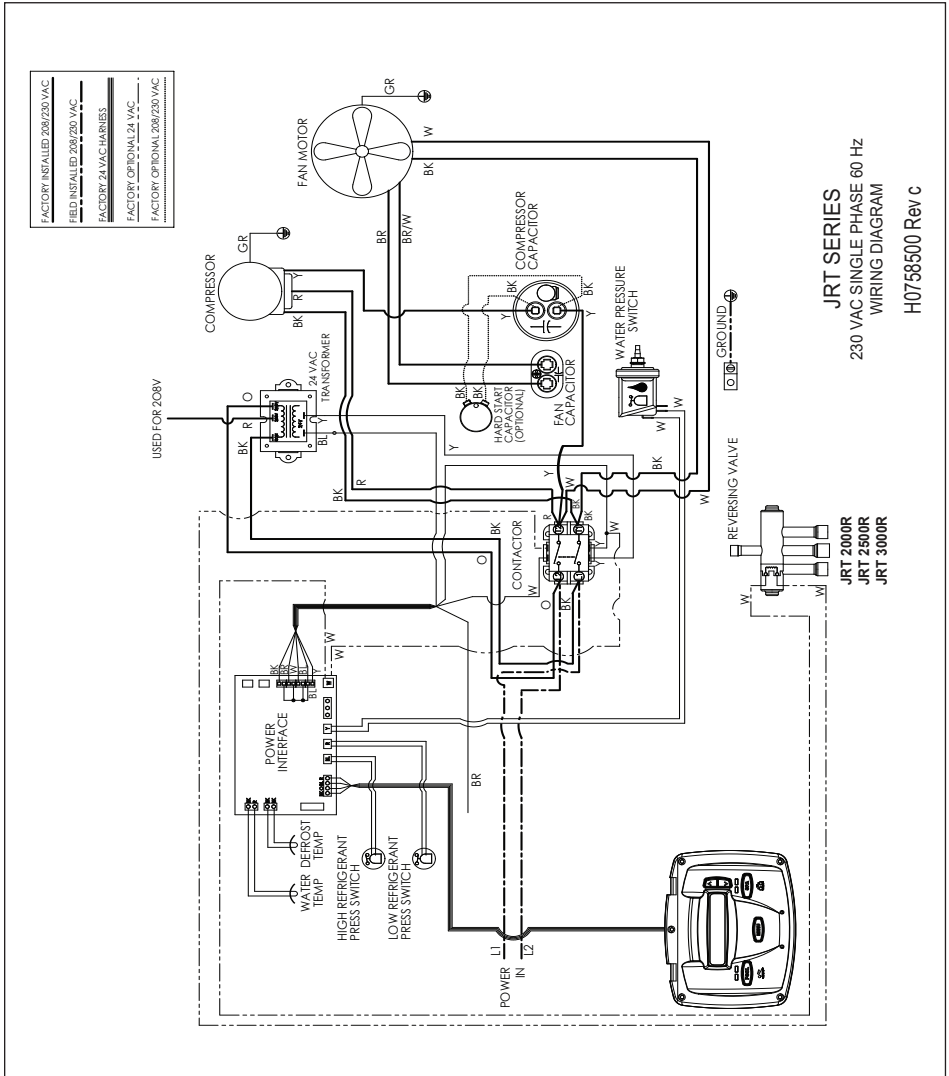


Figure 8. JRT Single-Phase Electrical Supply Wiring Diagram

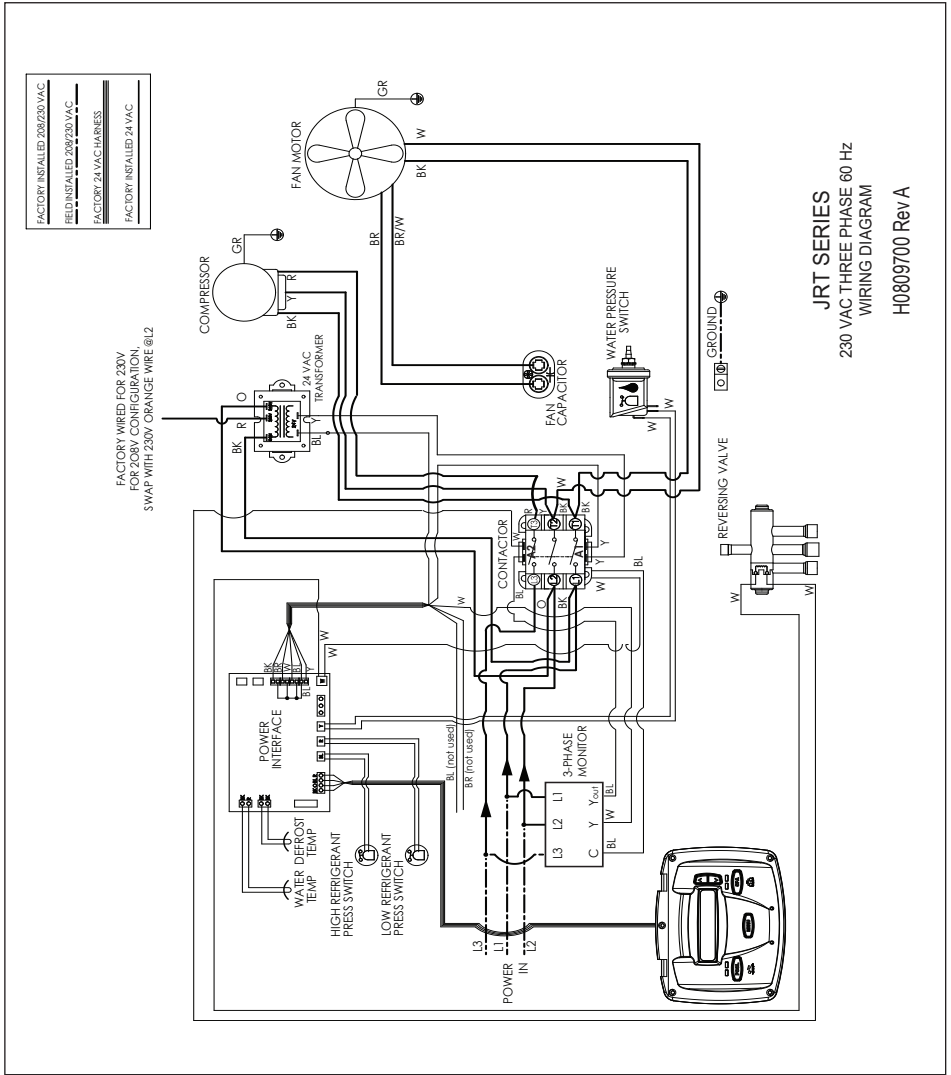


Figure 9. JRT Three-Phase Electrical Supply Wiring Diagram

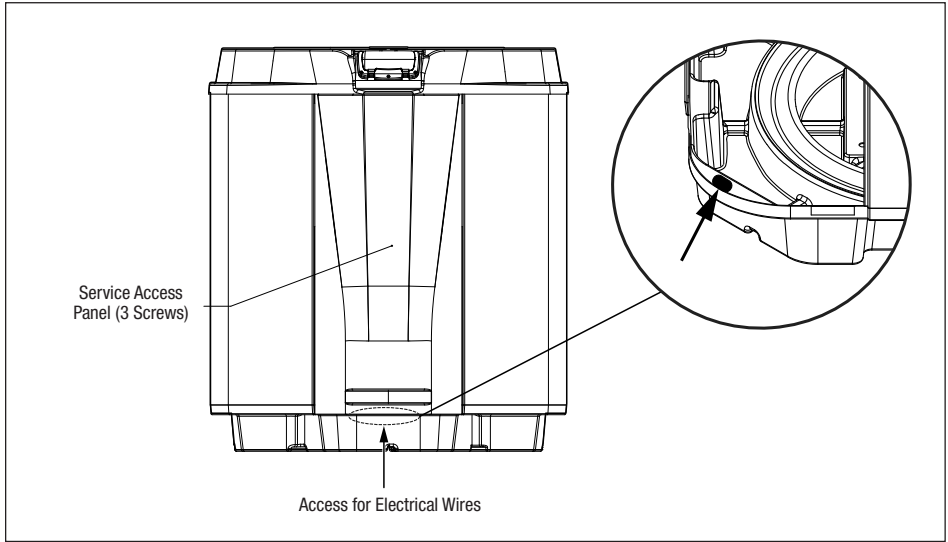


Figure 10. Jandy JRT Heat Pump Front View

4.3 Bonding

⚠ CAUTION
This heat pump must be connected to a bonding grid with a solid copper wire not smaller in diameter than 8 AWG (In Canada, it shall be no smaller than 6 AWG.)

The National Electrical Code® (NEC® in the United States) or the Canadian Electrical Code (CEC in Canada) requires pool equipment to be bonded to each other. Check your local codes to determine if the NEC or CEC and/or other local installation codes are enforced by the Authority Having Jurisdiction (AHJ in the United States) or the local competent authorities in Canada. A solid, copper 8.37 mm² (8 AWG) wire is required per the NEC, and 13.3 mm² (6AWG) per the CEC, for bonding the equipment to a permanent bonding connection that is acceptable to the local AHJ or the local competent authorities in Canada.

Refer to your locally enforced codes for the acceptable bonding wire gauge. Connect to the bonding point located on the bottom of the heat pump to a common bonding point. Do not use the heat pump as the common bonding point. Each piece of non-related pool equipment requiring a ground should also be bonded to the common, approved bonding point.

National Electrical Code® (NEC®) requires bonding of the Pool Water. Where none of the bonded pool equipment, structures, or parts are in direct connection with the pool water; the pool water shall be in direct contact with an approved corrosion-resistant conductive surface that exposes not less than 5800 mm² (9 in²) of the surface area to the pool

water at all times. The conductive surface shall be located where it is not exposed to physical damage or dislodgement during usual pool activities, and it shall be bonded in accordance with the bonding requirements of NEC Article 680. Refer to locally enforced codes for any additional pool and spa bonding requirements.

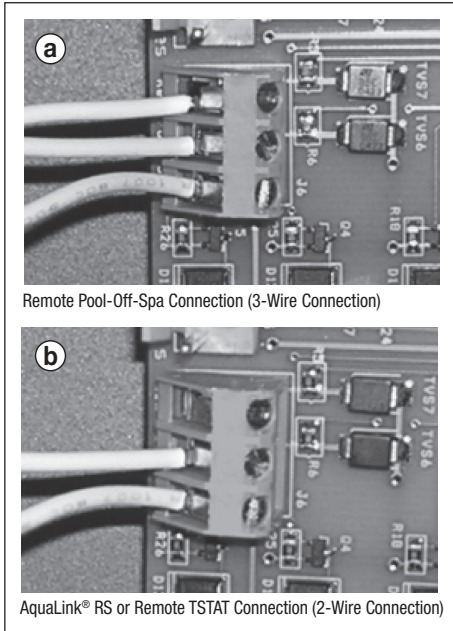
4.4 Optional Remote Controls

Electrical wiring must be in accordance with all applicable national and local codes and ordinances.

Connection to a Remote Pool-Off-Spa Selector (3-Wire Connection)

Install the Remote Pool-Off-Spa Selector

1. Turn off the power to both the pool/spa control system and the heat pump unit.
2. Remove the screws that attach the service/access panel to the heat pump unit and the cover to the junction box (see Figure 10).
3. Run the wires from the pool/spa control system into the conduit connection labeled "Low Voltage Connection", located on the lower right hand side of the heat pump (see Figure 12). Ensure conductors are not pinched or damaged.
4. Connect the wiring from the pool/spa control system to the heat pump remote control terminal. See Figure 11(a).
5. Restore power to the heat pump and the pool/spa control system.



Remote Pool-Off-Spa Connection (3-Wire Connection)

AquaLink® RS or Remote TSTAT Connection (2-Wire Connection)

Figure 11. Remote Control Wiring

Configure the Control Panel

1. Make sure the control is in the **OFF** mode.
2. To enter the Service Setup mode, press and hold the **MENU**, **POOL**, and **SPA** buttons for 5 seconds.

NOTE: The display will revert back to **OFF** after one minute since the last key press.

3. Press the **Up** or **Down** button to display **REMOTE**. Press the **MENU** button. The **SELECT REMOTE OFF** (default remote) appears, use the **Up** or **Down** button to scroll through the Remote options. When you reach **HI-LO-COM**, press the **MENU** button to select the remote. Press **POOL** or **SPA** to exit the Service Setup mode.

Two-Wire Connection to an AquaLink® RS or TSTAT

A 2-wire remote will only control one function; heating or cooling. It cannot control both functions with the remote control.

Configure the AquaLink RS Control System

1. Turn off the power to both the pool/spa control system and the heat pump unit.
2. Connect two (2) wires to the AquaLink RS green 10-pin terminals 1 and 2.
3. Put DIP S2-1 (pin #1 of the 4 position DIP switch) into the ON position (see *Figure 11*).

Install the Remote TSTAT

1. Turn off the power to both the pool/spa control system and the heat pump unit.
2. Remove the screws that attach the service/access panel to the heat pump unit and the cover to the junction box (see *Figure 10*).
3. Run the wires from the pool/spa control system into the conduit connection labeled "low voltage connection", located on the lower right hand side of the heat pump (see *Figure 10*). Ensure conductors are not pinched or damaged.
4. Connect the wiring from the pool/spa control system to the heat pump remote control terminal. See *Figure 11(b)*.
5. Restore power to the heat pump and the pool/spa control system.

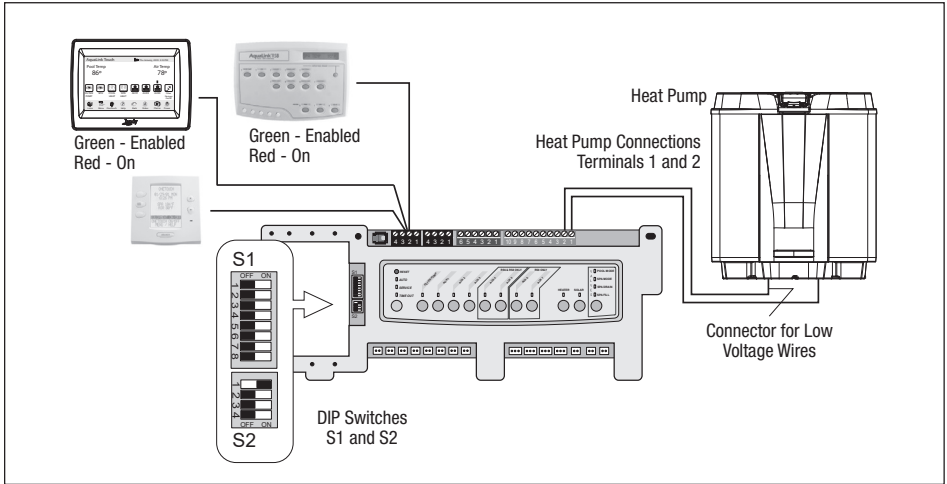


Figure 12. AquaLink® RS to Jandy JRT Heat Pump - T-Stat (2 wire) connection

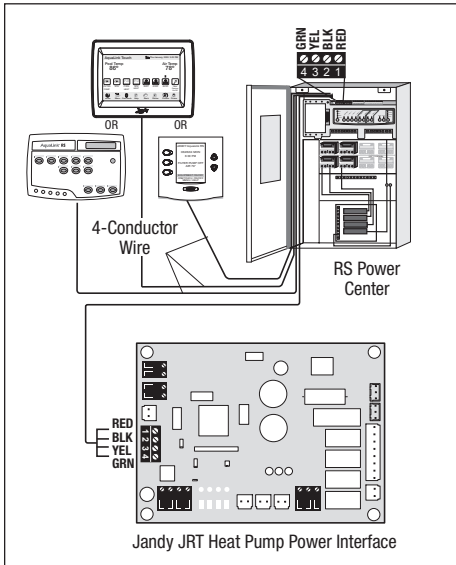


Figure 13. Jandy JRT Heat Pump to Power Center - RS485 (4 wire) connection

Configure the Control Panel

1. Make sure the control is in the **OFF** mode.
2. To enter the Service Setup mode, press and hold the **MENU**, **POOL**, and **SPA** buttons for 5 seconds.

NOTE: The display will revert back to **OFF** after one minute since the last key press.

3. Press the Up or Down button to display **REMOTE**. The **SELECT REMOTE OFF** (default remote) appears, use the **Up** or **Down** button to scroll through the Remote options. When you reach **REMOTE TSTAT**, press the **MENU** button to select the remote. Press **POOL** or **SPA** to exit the Service Setup mode.
4. Press **SPA**. For heating, adjust the setpoint to the maximum setting. For chilling, adjust the setpoint to the minimum setting.

RS485 (4 wire) Connection to AquaLink® RS

Using an AquaLink RS control and RS485 connection will allow you to control both the heating and cooling function with the remote.

1. Confirm the Jandy JRT heat pump and AquaLink RS software revisions are compatible.

Jandy JRT Heat Pump Power Interface Software Rev.	AquaLink RS Software Revision
3.0 or Later	N or Later

NOTE: Only a revision "N", or higher, program chip in the RS system will support the Jandy JRT heat pump interface.

2. Turn off the power to both the heat pump and the RS control and open the RS Power Center enclosure and remove the front dead panel.
3. Remove the two (2) screws holding the bezel in place and turn the bezel over to view the circuit board on the back.
4. Locate the programmed chip on the Power Center Board. In the center of the chip is the revision letter. If the revision letter is "N" or higher go to step 5. If the revision level is "MMM" or lower, replace the board or connect as shown in Section 4, *Electrical Connections*.

- Use 22 gauge 4-conductor wire (Zodiac® Part No. 4278) to run between the heat pump and the RS control, and match the wire color order.
- The wires coming from the Jandy JRT heat pump can be “doubled up” on the red terminal bar with the four (4) wires coming from the indoor controller. Ensure conductors are not pinched or damaged.

NOTE: If you need to install more than two (2) wires in each terminal, order a Jandy Multiplex PCB Kit, which includes the Multiplex Board (Jandy Part No. 6584). Never put more than two (2) wires into each of the pins of the terminal bar.

- Check all wiring, then apply power to both the heat pump and the RS control system. Operation can be verified in either Service or Auto mode. See the RS Control System manual for instructions about operation.

When the Jandy JRT heat pump is first powered and there is an RS control connected to the heat pump, the display on the heat pump will show **“JANDY REMOTE ONLINE PUSH MENU TO DISABLE”**. When the JRT heat pump is online with the RS control, all functionality of the control on the heat pump is disabled. The heat pump functions can be controlled only at the RS unit.

To temporarily use the heat pump controls, press the MENU button. The message **“JANDY REMOTE ONLINE PUSH MENU TO DISABLE”** will disappear from the heat pump display. All functionality has now been returned to the control on the heat pump. In this mode the RS unit is no longer controlling the heat pump.

To return the functionality to the RS unit, cycle (turn off and then turn on) the power to the heat pump, or press the **MENU** button for 5 seconds to enter the User Setup Mode and then enable the Jandy Remote.

NOTE: If connecting more than two (2) items to the RS Power Center red, 4-pin connector, a Multiplex PCB is required.

Connection to a Secondary User Interface

- Turn off the power to the heat pump.
- Remove the three (3) screws that attach the front panel to the heat pump and remove the front panel. See *Figure 10*.
- Remove the screw on the right side of the control box.
- Open the control box.
- Run four (4) 22 AWG solid copper wires into the low voltage soft membrane located on the lower left-hand side of the heat pump. The wires may be up to 300 feet (91.4 m) in length.
- Connect the wires to the 4 position terminal on the lower left-hand corner of the Power Interface PC Board, labeled “User Interface1”. See *Figure 8*. The wires will be added to the existing wiring to the User Interface installed on the heat pump.

- Ensure the wiring is consistent when connecting the wires to the second User Interface. For example, BK goes to BK, O goes to O, etc.
- Close the control box and secure with the provided screw.
- Reseat the service access panel and secure with the provided screws.

Section 5. Operation

⚠ CAUTION

Do not use this heat pump if any part has been under water. Immediately call a qualified service technician to inspect the heater and replace any part of the control system which has been under water.

Keep all objects off the top of the heat pump. Blocking air flow could damage the unit and may void the warranty.

5.1 Initial Startup Precautions

Be sure that there is water in the pool and that the surface level is above the skimmer or other inlet of the pool's filter system.

With any new pool or spa installation, operate the filter pump with the heat pump off long enough to completely clean the water. This will remove any installation residue from the water.

Clean the filter at the end of this operation before starting the heat pump. When raising the temperature of a cold pool, program the time clock to run the pump continuously.

This lets the filter system and heat pump operate continuously until the water reaches the temperature setting on the temperature control. When that happens, the heat pump will automatically shut off, but the filter pump will keep running.

5.2 Operating the Controller

Your new Jandy JRT heat pump is controlled by an advanced microprocessor based controller that provides a sophisticated yet simple interface to operate your heat pump for maximum efficiency and enjoyment of your pool. To locate the control buttons, see *Figure 14*.

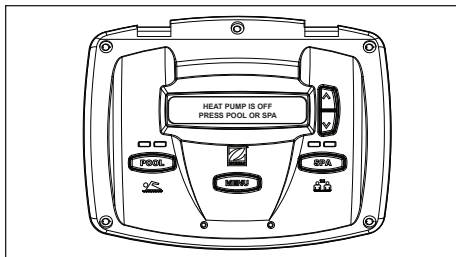


Figure 14. Main Control Panel

Off Mode

When the control panel is turned off, the screen displays **HEAT PUMP IS OFF PRESS POOL OR SPA**.

Pool Mode - (Normal Heat)

To enable the pool mode, press **POOL**. The associated left green LED indicator will light and the unit will display **SET:XXX°**.

NOTE: XXX represents the current temperature setting on the control. The default setting for pool temperature is 80°F (26°C).

You can change the temperature set point by pressing the **Up** or **Down** button. Repeatedly press the **Up** or **Down** button until you reach the desired temperature set point. After 5 seconds of inactivity, the new set point is stored in memory.

When the water temperature falls to 1 degree below the temperature setting *and* after a 5 minute delay, the control will start the heat pump and the associated right LED will light RED.

Pool Mode - (Optional Maintain Heat)

If connected to an AquaLink®, the Maintain Heat mode allows the heat pump to monitor the temperature of the water 24 hours a day by turning the pool pump on and sampling the water temperature.

NOTE: This feature only works when connected to an AquaLink.

When the water temperature drops below the programmed temperature set point, the control will start the heat pump.

To operate in pool mode with the Maintain Heat feature, press **POOL**, then press **MENU**, press the Down button until **MAINTAIN POOL HEAT** is displayed, press the **MENU** button.

The associated left green LED indicator will light and the unit will display **SET:XXX°**. Change the temperature set point by pressing the **Up** or **Down** button until the desired set point is displayed. After 5 seconds of inactivity, the new set point is stored in memory.

Spa Mode - (Normal Heat)

To enable the spa mode, press **SPA**. The associated left green LED indicator will light and the unit will display **SET:XXX°**.

NOTE: XXX represents the current temperature setting on the control. The default setting for spa temperature is 102°F (38°C).

You can change the temperature set point by pressing the **Up** or **Down** button. Repeatedly press the **Up** or **Down** button until you reach the desired temperature set point. After 5 seconds of inactivity, the new set point is stored in memory. When the water temperature falls to 1 degree below the temperature setting *and* after a 5 minute delay, the control will start the heat pump and the associated right LED will light RED.

Spa Mode - (Optional Maintain Heat)

If connected to an AquaLink®, the Maintain Heat mode allows the heat pump to monitor the temperature of the water 24 hours a day by turning the spa pump on and sampling the water temperature.

NOTE: This feature only works when connected to an AquaLink.

To operate in spa mode with the Maintain Heat feature, press **SPA**, then press **MENU**, press the **Down** button until **MAINTAIN SPA HEAT** is displayed, press the **MENU** button. The associated left green LED indicator will light and the unit will display **SET:XXX°**. Change the temperature set point by pressing the **Up** or **Down** button until the desired set point is displayed. After 5 seconds of inactivity, the new set point is stored in memory.

5.3 Chiller Operating Feature

Pool Mode - (Normal Chill)

To enable the pool mode, press **POOL**.

The associated left green LED indicator will light and the unit will display **SET:XXX°**.

NOTE: XXX represents the current temperature setting on the control. The default setting for pool temperature is 80°F (26°C).

Press the **MENU** button. Press the **Up** or **Down** button until you reach **POOL CHILL**, press the **MENU** button.

You can change the temperature set point by pressing the **Up** or **Down** button. Repeatedly press the **Up** or **Down** button until you reach the desired temperature set point. After 5 seconds of inactivity, the new set point is stored in memory. When the water temperature rises to 1 degree above the temperature setting *and* after a 5 minute delay, the control will start the heat pump and the associated right LED will light GREEN.

Pool Mode - (Optional Maintain Chill)

If connected to an AquaLink, the Maintain Chill option mode allows the unit to monitor the temperature of the water 24 hours a day by turning the pool pump on and sampling the water temperature.

NOTE: This feature only works when connected to an AquaLink.

When the temperature of the water rises above the desired temperature setting, the control will then turn on the unit and the associated right green LED will light.

To operate in pool mode with the Maintain Chill feature, press **POOL**, then press **MENU**, then press the **Down** button until **MAINTAIN POOL CHILL** is displayed, press the **MENU** button. The associated left green LED indicator will light and the unit will display **SET:XXX°**. Change the temperature set point by pressing the **Up** or **Down** button until the desired set point is displayed. After 5 seconds of inactivity, the new set point is stored in memory.

Spa Mode - (Optional Maintain Chill)

If connected to an AquaLink, the Maintain Chill mode allows the heat pump to monitor the temperature of the water 24 hours a day by turning the spa pump on and sampling the water temperature.

NOTE: This feature only works when connected to an AquaLink.

When the water temperature rises above the programmed temperature set point, the control will start the heat pump.

To operate in the spa mode with the Maintain Chill feature, press **SPA**, then press **MENU**, press the **Down** button until **MAINTAIN SPA CHILL** is displayed, press the **MENU** button. The associated left green LED indicator will light and the unit will display **SET:XXX°**. Change the temperature set point by pressing the **Up** or **Down** button until the desired set point is reached. After 5 seconds of inactivity, the new set point is stored in memory.

5.4 User Setup Options

The User Setup options allow the user to select specific Languages, Temperature Scale, Spa Timer, and Display Light options.

Language Setup

1. Make sure the control is in the **OFF** mode.
2. To enter the User Setup mode, press and hold the **MENU** button for 5 seconds.

NOTE: The display will revert back to **OFF** after one minute since the last key press.

3. To select a language, use the **Up** or **Down** button to display **SELECT USER SETUP LANGUAGE**. Press the **MENU** button. The **SELECT LANGUAGE ENGLISH** (default language) appears, use the **Up** or **Down** button to scroll through the language options. When you reach the desired language, press the **MENU** button to select the language. Press **POOL** or **SPA** to exit the User Setup mode.

Temperature Scale Setup

1. Make sure the control is in the **OFF** mode.
2. To enter the User Setup mode, press and hold the **MENU** button for 5 seconds.
3. To select temperature scale, use the **Up** or **Down** button to scroll through to display **SELECT USER SETUP TEMPERATURE SCALE**. Press the **MENU** button. The **SELECT TEMP SCALE °F** (default temperature scale) appears, use the **Up** or **Down** button to scroll through the scale options. When you reach the desired temperature scale, press the **MENU** button to select. Press **POOL** or **SPA** to exit the User Setup mode.

Spa Timer Setup

1. Make sure the control is in the **OFF** mode.
2. To enter the User Setup mode, press and hold the **MENU** button for 5 seconds.
3. To select spa timer, use the **Up** or **Down** button to scroll through to display **SELECT USER SETUP SPA TIMER**. Press the **MENU** button. The **SELECT SPA TIMER CONTINUOUS** (default spa timer setting) is displayed. To turn the spa on or off indefinitely, press the **MENU** button to select.

To select the length of time for the spa to run, use the **Up** or **Down** button to scroll to display **SELECT SPA TIMER TIME SELECTION**. Press the **MENU** button to select. The display **SELECT SPA TIME 01:00 HRS** (default time setting) is displayed. Use the **Up** or **Down** button to select the length of time for the spa to run (between 00:15 to 23:00 hours incremented by 00:15 minutes). Press the **MENU** button to select how long the spa will run. Press **POOL** or **SPA** to exit the User Setup mode.

Display Light Setup

1. Make sure the control is in the **OFF** mode.
2. To enter the User Setup mode, press and hold the **MENU** button for 5 seconds.
3. To select display light setup, use the **Up** or **Down** button to scroll through to display **SELECT USER SETUP DISPLAY LIGHT**. Press the **MENU** button. The **SELECT DISPLAY LIGHT 2 MIN TIMEOUT** (default display light setting) is displayed. This option allows the display light to turn off after 2 minutes. Press the **MENU** button to select. Use the **Up** or **Down** button to scroll to display **SELECT DISPLAY LIGHT LIGHT OFF**, this option allows the display light to turn off, press the **MENU** button to select. Use the **Up** or **Down** button to scroll to display **SELECT DISPLAY LIGHT LIGHT ON**, this option allows the display light to turn on, press the **MENU** button to select. Press **POOL** or **SPA** to exit the User Setup mode.

5.5 Set Point Lockout

Make sure the control is in the **ON** mode (**POOL** or **SPA**), press and hold the **Up** and **Down** buttons for 5 seconds. The set point will be locked and the control will operate in the mode it was in when the Set Point Lockout occurred. If an attempt to change the set point is made while the control is in Set Point Lockout, the control will display **SET POINT LOCKED**. To unlock the Set Point Lockout, press and hold the **Up** and **Down** buttons for 5 seconds. The unit will display **SET POINT UNLOCKED**.

5.6 Water Pressure Switch Adjustment

⚠ CAUTION

The water pressure switch should be adjusted to turn the heater off when the pump is off. Setting the switch to close at too low of a flow can damage the appliance. Adjust the switch to turn the heater off, not on.

The pressure switch is preset at the factory for activation at 3 psi (21 kPa). This is the minimum setting for the water pressure switch and works for all basic installations. Only adjust the water pressure switch if the heat pump does not operate **when the proper flow is applied to unit** or if the heat pump does not shut off when the filter pump is off. Occasionally, unusual plumbing configurations or necessary restrictions in the plumbing may cause pressure sensing problems. In these rare situations, the plumbing system configuration may require adjustment of the water pressure switch.

Adjustment of the pressure switch may be necessary if any part of the filter system piping is 3 feet (1 m) or more above the top of the heat pump jacket.

Do not adjust the pressure switch if the heat pump is installed more than 5 feet (1.5 m) above or 10 feet (3 m) below the pool surface. Consult your local Zodiac® dealer for recommendations.

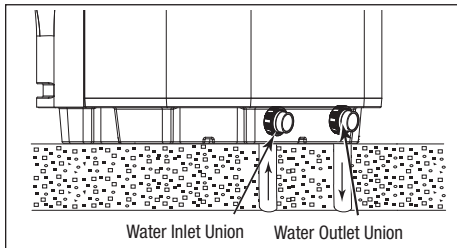


Figure 15. Winterizing the JRT Heat Pump

On some installations, the piping from the heat pump to the pool is very short. The back pressure could be too low to trigger the pressure switch. If this happens, it may be necessary to install a directional fitting or elbows where the return line enters the pool. This will increase back pressure enough for the heat pump to operate properly. If this configuration is necessary, be sure to check that the system flow is above the minimum requirement of 30 gpm (114 lpm) after the direction fitting or elbow has been installed.

Make sure the pool filter is clean before making any pressure switch adjustment: A dirty filter will restrict the water flow and the pressure switch cannot be adjusted properly.

To adjust the pressure switch:

1. Be sure that all valves in the system are set to allow water flow through the heat pump. Start the filter pump.

2. Set the heat pump control to call for heat. Set the heat pump control to the POOL HEAT mode.
3. If the heat pump control displays "NO FLOW", then the flow in the system may be below the minimum flow of 30 gpm (114 lpm) needed for the safe operation of the heat pump. Investigate and correct any flow problems before adjusting the water pressure switch.
4. The water pressure switch is located on the water inlet pipe. Remove the blue cover.
5. Re-install the blue cover.
6. After confirming the flow rate is at a minimum of 30 gpm (114 lpm), slowly rotate the thumb wheel on the water pressure switch in a **counterclockwise** direction until the "NO FLOW" indicator disappears from the control display. Remember that there is a time delay before the heat pump compressor will start.
7. Once the heat pump is running, turn off the filter pump. The heat pump should turn off immediately.
8. If the heat pump continues to operate when the filter pump is off, turn the thumb wheel on the water pressure switch in a **clockwise** direction until "NO FLOW" is displayed on the control and the heat pump shuts down.
9. Check the setting of the water pressure switch by starting and stopping the filter pump and checking the control display and operation of the heater between each flow change.
10. If the water pressure switch cannot be adjusted to accommodate the conditions listed above, an external flow switch must be added to the plumbing system to ensure that the heat pump will not operate without the proper flow through the heat exchanger.

5.7 Hot Gas Defrost

Under certain conditions of temperature and humidity, frost might form on the surface of the Heat Pump coil. This layer of frost will interfere with the operation of the heat pump by making the unit work harder and, therefore, inefficiently.

The JRT heat pump has a cycle called a defrost cycle, which removes the frost from the outdoor coil: the unit will defrost regularly when frost conditions occur.

Two types of defrost modes are available in the JRT units:

Hot Gas (set at Factory)

The hot gas defrost process uses the naturally occurring high-temperature refrigerant vapor from the discharge side of the compressor to warm the evaporator coil and melt the ice accumulated on it.

Air Defrost

In the air defrost cycle, the heat pump is automatically operated in reverse, for a moment, in the cooling cycle. This action temporarily warms up the outdoor coil and melts the frost from the coil.

To switch from Hot gas (set as Factory) to Air defrost mode:

1. Make sure the control is in the **OFF** mode.
2. To enter the Service Setup mode, press and hold the **MENU**, **POOL**, and **SPA** buttons for 5 seconds.

3. Press the **Up** or **Down** button to display **DEFROST** and press **MENU** to enter the sub-menu.
4. Use the **Up** or **Down** button to scroll through the Defrost options (**HOT GAS** and **AIR DEFROST**).
5. Press the **MENU** button to select the option desired.
6. Press **POOL** or **SPA** to exit the Service Setup mode.

Test	Recommended Level
Free Chlorine or	1.0 to 3.0 ppm
Bromine	2.0 to 4.0 ppm
pH	7.2 to 7.8 (Ideal ranges being between 7.4 and 7.6)
Total Alkalinity (TA)	80 to 120 ppm
Calcium Hardness (CH)	175 to 400 ppm
Cyanuric Acid	30 to 50 ppm
Total Dissolved Solids (TDS)	1000 to 2000 ppm (Excluding dissolved NaCl from Salt Chlorine Generator)
* Concentration levels taken from "Basic Pool and Spa Technology" published by APSP (Association of Pool and Spa Professionals).	

Table 3. Optimal Water Chemistry Ranges

Section 6. General Maintenance

6.1 Water Chemistry

Proper chemical balances are necessary for sanitary bathing conditions as well as ensuring your heat pump's long life. Be sure to keep your chemical and mineral concentration levels within the values indicated in *Table 3*.

NOTE: For spas, it is also necessary to perform water changes in addition to chemical treatment. It is recommended to change the spa water every 60 days for light usage and every 30 days if usage is heavy.

6.2 Winterizing

⚠ CAUTION

Failure to winterize could cause damage to the heat pump and may void the warranty.

In areas where freezing temperatures occur, you should protect your pump, filter, and heat pump from the elements. Perform the following steps to completely drain the heat pump (see *Figure 15*).

1. Turn off the electrical power to the heat pump at the main breaker panel.
2. Shut off the water supply to the heat pump.
3. Disconnect the water inlet and outlet unions.

4. Cover only the top of the heat pump to prevent debris from falling into the unit. Do not wrap the sides of the heat pump with any plastic or other material that will retain heat or moisture inside the unit.

6.3 Spring Startup

If your heat pump has been winterized, perform the following steps when starting the system in the Spring:

1. Uncover the heat pump and inspect the top and sides for any debris or structural problems.
2. Connect the water inlet and outlet unions located on the lower front panel of the heat pump.
3. Turn on the filter pump to supply water to the heat pump. Circulate water through the system long enough to cycle all of the pool water through the filter. Check for leaks in and around the heat pump.
4. Check the pool chemistry and balance as necessary.
5. Turn on the electrical power to the heat pump at the main breaker panel.

6.4 Inspection and Service

Jandy heat pumps are designed and constructed to provide long performance life when installed and operated properly under normal conditions. Periodic inspections are important to keep your heat pump running safely and efficiently through the years.

Owner Inspection

⚠ CAUTION

Do not use this heat pump if any part has been under water. Immediately call a qualified service technician to inspect the heater and replace any part of the control system which has been under water.

Jandy recommends that you inspect your heat pump on a regular basis and especially after abnormal weather conditions. The following basic guidelines are suggested for your inspection:

1. Keep the top and surrounding areas of the heat pump clear of all debris.
2. Keep all plants and shrubs trimmed and away from the heat pump.

The heat pump will produce condensation (water) while in operation. The heat pump base is designed to allow the condensation to exit through the bottom drain port when the unit is running. The condensation will increase as the outdoor air humidity level increases. Check the following at regular intervals to ensure proper condensate drainage:

1. Visually inspect and clear the bottom drain ports of any debris that could clog the ports.
2. Ensure that condensate water does not puddle inside the heat pump.
3. Ensure that condensate run-off is properly directed away from the equipment pad to keep it from undermining the pad.

During normal operation, the heat pump produces 3 to 5 gallons of condensate per hour. If condensate drainage is above this range during operation or if water continues to drain from the base when the heat pump is not in operation for more than an hour, a leak in the internal plumbing may have occurred. Call a qualified heat pump technician to investigate the problem.

Keep the top air flow discharge and air flow intake area clear of debris so the air flow through the heat pump is not restricted. The cooler discharge air from the top should not accumulate and be drawn into the side air intake coils. Keep all plants and shrubs trimmed away from the heat pump.

Make sure the front of the unit is accessible for future service.

Keep lawn sprinkler heads from spraying on the heat pump to prevent corrosion and damage. Use a deflector if needed.

If the unit is installed under a very sharp roof pitch or under a roof without a gutter, a gutter or diverter should be fitted to prevent excessive water from pouring down into the unit.

Professional Inspection

Inspections performed at least once a year by a qualified technician are required to maintain your heat pump's safe and efficient operation. The following basic safety checks must be performed.

1. Check for loose or broken wires and terminal connections.
2. Verify the pressure switch or flow switch operation. Turn the heat pump OFF. Disconnect the power to the pump time clock, or turn the pump time clock to an OFF position. Turn the heat pump back ON. The heat pump must not come on.
3. Inspect the electrical controls, specifically the following:
 - High and low limits
 - Pressure switch or flow switch
 - Temperature control
4. Inspect the evaporator coil for blockage and clean as necessary.
5. Check for spider webs or debris in the condensate drain; clean if necessary.
6. Conduct a normal operating cycle and observe that the unit operates properly.

Section 7. Professional Maintenance and Service

7.1 Heat Pump Design

The Jandy heat pump is one of the most efficient ways to heat a pool or spa. The heat pump transfers heat from the outside air to the pool or spa water by means of an internal heat exchanger.

When the fan is turned on, warm air is drawn through the refrigerant charged evaporator, turning the cold liquid refrigerant to a warm gas. The gas then flows through the compressor where it is compressed resulting in a much higher temperature.

The hot gas enters the heat exchanger where the water extracts the heat. The pump pulls in cool pool water, which in turn converts the hot gas back into a liquid refrigerant and starts the cycle over again.

The JRT heat pump uses a refrigerant called R-410A. It is a non-ozone depleting refrigerant that is accepted by the EPA.

The EPA requires certification to purchase or use R-410A. It is recommended that service personnel be trained in installation, service, brazing, and maintenance procedures.

NOTE: The maximum heat output and efficiency of a heat pump is dependent upon the quality and performance of the major components used. Equally important are the environmental conditions (for example, air temperature, humidity, water temperature, and wind).

7.2 Heat Pump Components and Operation

Evaporator: As air passes through the evaporator, the refrigerant in the evaporator absorbs heat from the ambient air. The warmer the ambient air and the larger the surface area of the evaporator the more heat it can collect.

Fan: The heat pump fan produces high volume airflow. Adequate airflow is required to move warm air through the large evaporator.

Compressor: The compressor compresses the refrigerant gas to a higher pressure, increasing the temperature.

Heat Exchanger: As the final step to the heating process, the heat exchanger transfers the heat from the hot gas to the water. (Also known as a condenser.)

Reversing Valve: (For hybrid units with optional chiller and hot gas defrost.) The reversing valve reverses the flow of the refrigerant, which results in transferring cold gas to the water, thus lowering the temperature.

Section 8. Troubleshooting

8.1 Troubleshooting Guide

The following table provides symptoms and solutions for general troubleshooting problems for the heat pump.

Symptom	Corrective Action
Heat pump will not start, no control board display.	Breaker or fuse may be tripped. Reset breaker or check fuse. If heat pump still does not run, call for service. Three-phase models only - The phases may be reversed or there may be a loss of phase, call for service.
Heat pump will not start, control board display working.	Heat pump may be in delay count down of 5 minutes. Make sure control board thermostat is calling for heater to come on (check setting on thermostat and temperature reading). Make sure heat pump is not in cooling mode.
Heat pump runs but does not heat.	Verify cold air is blowing out the top of the heat pump. If the heat pump has just been installed or if the pool water has been allowed to cool significantly, it is necessary to run the heat pump continually for 24-48 hours. If the heat pump has been in operation for some time, increase the circulating pump time, or switch the control board to Maintain Heat function. If heating a spa, verify no air intake stand pipes are open. If heat pump still does not heat, call for service.
Heat pump does not run and control board displays: FAULT- NO FLOW	Verify circulating pump is on and all necessary valves are in the correct positions. Verify filter and skimmers are clean. Check water level in pool. Temporarily turn off all fountains and water falls that bypass the heat pump water inlet. If this does not correct the problem, call for service.
Heat pump does not run and control board display shows: FAULT- HIGH REF PRESSURE	Verify circulating pump is on and that there are no water flow restrictions to the heat pump. If the filter pump is a two speed or variable speed pump, switch to a higher speed. Make sure all necessary valves are open or in the proper positions to allow proper water flow to the heat pump. Verify filter and skimmers are clean. Check for water level in the pool. This condition may also appear if the heat pump has not been operated for an extended period. To clear the condition, cycle the heat pump, on and off, up to 3 times. If this does not correct the problem, call for service.
Heat pump does not run or short cycles and control board display shows: FAULT- LOW REF PRESSURE	Check that fan is operating and air is coming out of the top of the heat pump, while short cycling. If heat pump does not run at all, call for service.
Heat pump leaking water.	Possible heat exchanger or plumbing leak. Turn the heat pump off, then turn circulating pump off for at least one hour to see if the water leak stops. If the water leak stops, normal condensation is occurring. If the water leak continues, after the heat pump is shut off for at least one hour, call for service.

Table 4. Heat Pump Troubleshooting Guide

8.2 Diagnostics

In the event a pressure switch opens or another fault condition occurs, the LCD screen will display the fault until the problem has been resolved. Please refer to the following table for the list of diagnostic conditions.

Diagnostic Condition	Description
FAULT- NO FLOW	Low or restricted water flow through the heat pump. The external bypass valve is in the wrong position, or the water flow switch has malfunctioned. The water flow switch opens creating a fault and the heat pump shuts off.
FAULT- LOW REF PRESSURE	When the ambient temperature is low, the suction pressure can drop significantly. This fault will cause the low pressure switch to open and the control will shut off the compressor.
FAULT- HIGH REF PRESSURE	When the head pressure builds too high, the high pressure switch will open causing the heat pump to shut off immediately. The control will sense this fault condition and shut off the compressor until the switch re-closes.
FAULT- HIGH WATER TEMP	When the POOL or SPA water temperature heats to the maximum allowed temperature or above, there could be safety risks for anyone in the water. The water thermostat will read this temperature and the control will shut off the heat pump unless it is in CHILLER mode. This feature also remains active when the control calls for heat through a remote thermostat. This is to insure that water temperature does not go to an abnormally high level due to a possible malfunction of the remote sensor.
FAULT- SHORTED COIL SENSOR -or- FAULT- OPEN COIL SENSOR	In the event that the coil temperature sensor malfunctions or is not connected the control will shut off the heat pump.
FAULT- SHORTED WATER SENSOR -or- FAULT- OPEN WATER SENSOR	In the event that the water temperature sensor malfunctions or is not connected the control will shut off the heat pump.

Table 5. Heat Pump Diagnostics

Section 9. Replacement Parts

9.1 Ordering Information

To order or purchase parts for the JRT models of heat pumps, contact your nearest Jandy dealer or distributor. See the Jandy web site at www.Jandy.com for the nearest service center. If they cannot supply you with what you need, contact Jandy customer support department, telephone 800.822.7933.

9.2 Jandy JRT Heat Pumps Parts List

Key No.	Description	Model No.	Order Part No.
1	Fan Grille	All	R0933900
2	Fan Motor	All	R0934000
3	Fan Blade	All	R0934100
4	Fan Top	All	R0934200
5	Evaporator Coil / Guard	2000R, 2500R	R0934300
5	Evaporator Coil / Guard	3000R, 3000R3	R0934400
6	Compressor, CP	2000R (CP)	R0934500
6	Compressor, CP, CAN	2000R (CP)	R0934501
6	Compressor, CP	2500R (CP)	R0934600
6	Compressor, CP, CAN	2500R (CP)	R0934601
6	Compressor, CP	3000R (CP)	R0934700
6	Compressor, CP, CAN	3000R (CP)	R0934701
6	Compressor, CP	3000R3 (CP)	R0577600
6	Compressor, LG	2000R (LG)	R1010000
6	Compressor, LG, CAN	2000R (LG)	R1010001
6	Compressor, LG	2500R (LG)	R1010100
6	Compressor, LG, CAN	2500R (LG)	R1010101
6	Compressor, LG	3000R (LG)	R1009800
6	Compressor, LG, CAN	3000R (LG)	R1009801
7	Base	All	R0934800
8	Electrical Box Cover w/ Hardware	All	R0934900
9	Front Panel	2000R, 2500R	R0935000
9	Front Panel	3000R, 3000R3	R0935100
10	Temperature Sensor	All	7790
11	Filter Drier	All	R0935200
11	Filter Drier (Bi-flow)	All	R0935300
12	Thermal Expansion Valve	2000R, 2500R	R0935400
12	Thermal Expansion Valve	3000R, 3000R3	R0935500
13	Air Temperature Sensor	All	R0935600
14	High Pressure Switch	All	R0935700
15	Low Pressure Switch	All	R0935800
16	Water Pressure Switch	All	R0935900
17	User Interface	All	R0591900
18	Interface Cover	All	R0592000
19	Reversing Valve (optional)	All	R0936000

Key No.	Description	Model No.	Order Part No.
20	Transformer	All (not 3000R3)	R0936100
21	Power Interface PCB	All	R3009200
22	Fan Capacitor	All	R0936300
23	Run Capacitor (1 phase)	2000R (CP), 2500R (CP), 3000R (CP), 2000R (LG)	R0936200
23	Run Capacitor (1 phase)	2500R (LG), 3000R (LG)	R1009900
24	Contacto (1 phase)	All (1 Phase)	R0936400
24	Contacto (3 phase)	All (3 Phase)	R0576900
25*	Phase Monitor (3 phase)	All (3 Phase)	R0577100
26*	Anchor Bracket Set	All	R0936600
27*	Universal Union, Buttress Set	All	R0472700
28*	Schrader Valves (2-pack)	All	R0937100
29*	External Fastener Kit	All	R0937300
30*	Compressor Blanket	All	R0951700
31*	Compressor Plug, CP	All (not 3000R3) (CP)	R1009200
31*	Compressor Plug, LG	All (not 3000R3) (LG)	R1009201
* Not Shown			

9.3 Jandy JRT Heat Pumps Exploded View

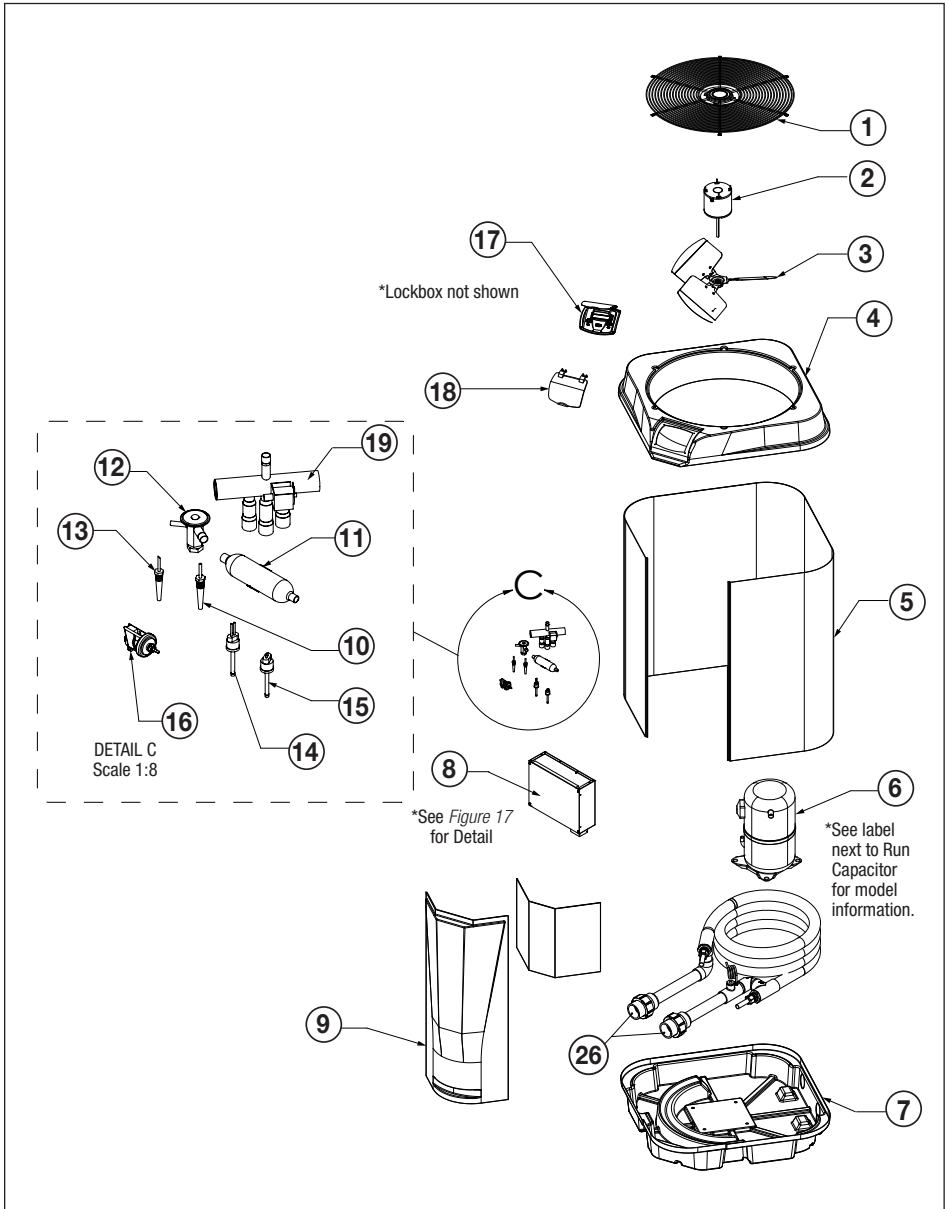


Figure 16. Jandy JRT Heat Pumps Exploded View (JRT2000R Shown)

9.4 Jandy JRT Single Phase Electric Box

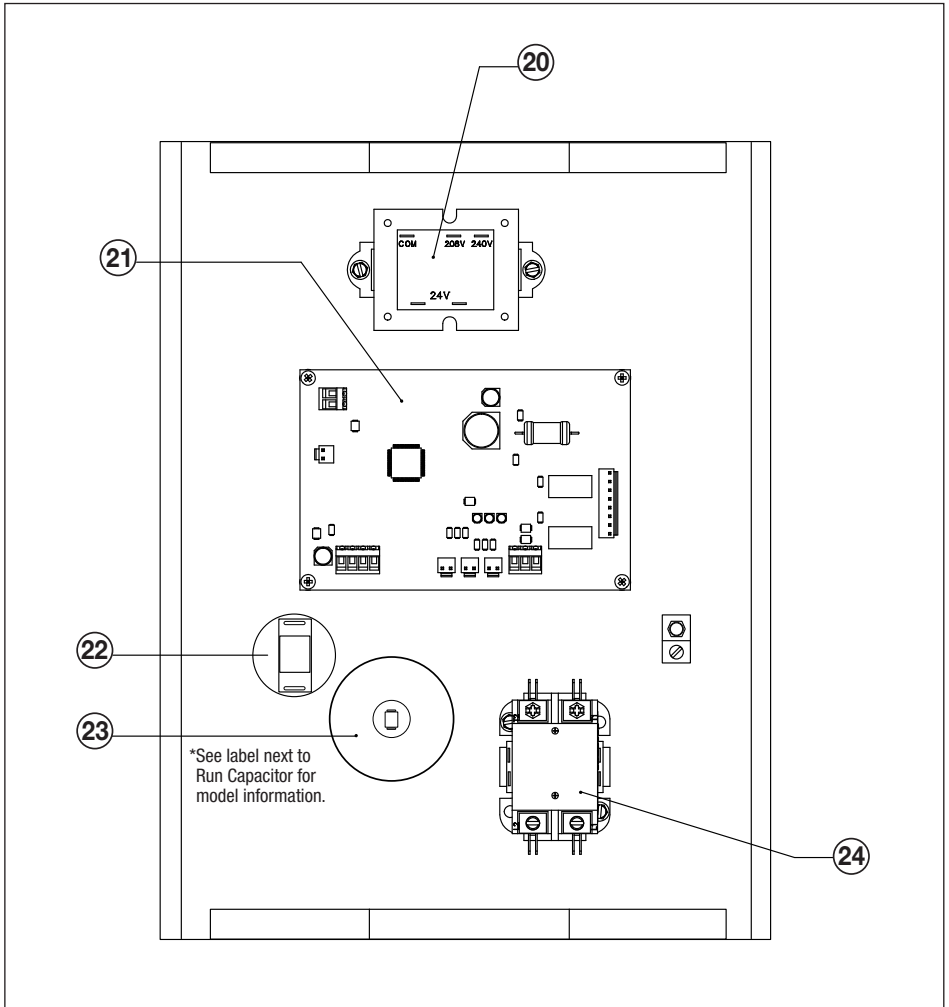


Figure 17. Jandy JRT Single Phase Electric Box

9.5 Jandy JRT Three Phase Electric Box

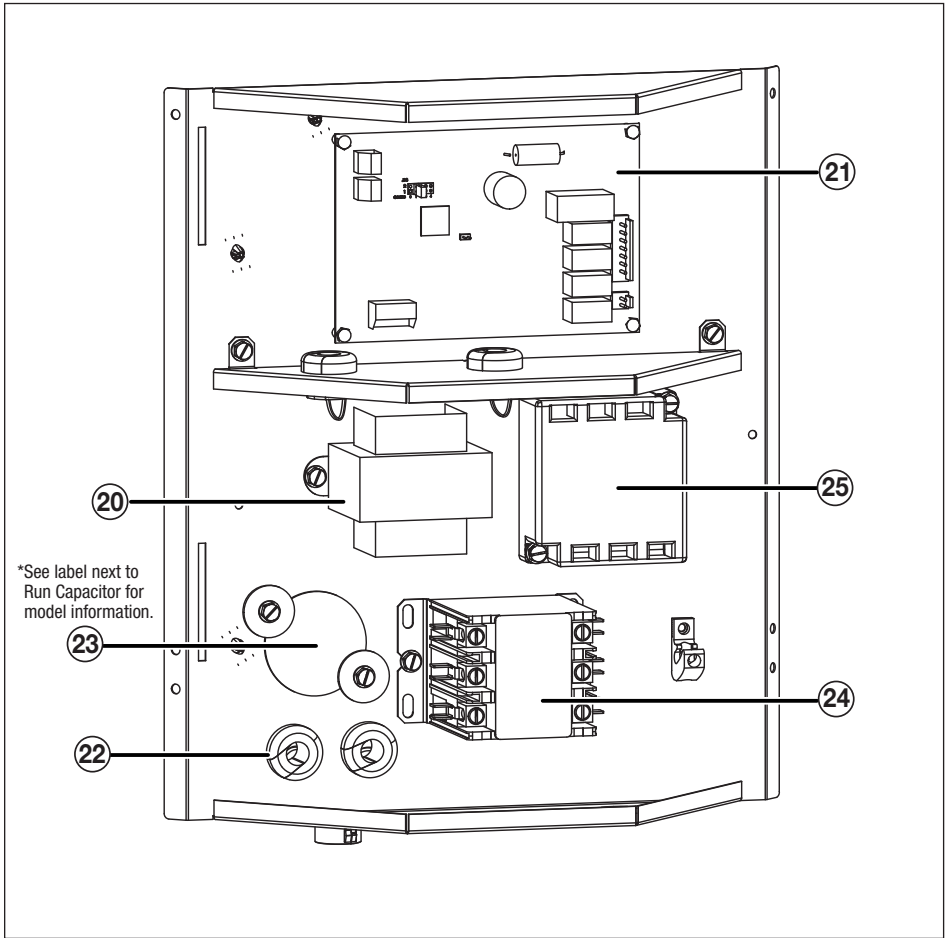


Figure 18. Jandy JRT Three-Phase Electric Box

NOTES

NOTES

NOTES

Zodiac Pool Systems LLC

2882 Whiptail Loop # 100
Carlsbad, CA 92010, USA
Jandy.com | 1.800.822.7933

Zodiac Pool Systems Canada, Inc.

2-3365 Mainway
Burlington, ON L7M 1A6, Canada
Jandy.ca | 1.800.822.7933

A Fluidra Brand

©2023 Zodiac Pool Systems LLC. All rights reserved. ZODIAC® is a registered trademark of Zodiac International, S.A.S.U., used under license. All other trademarks are the property of their respective owners.

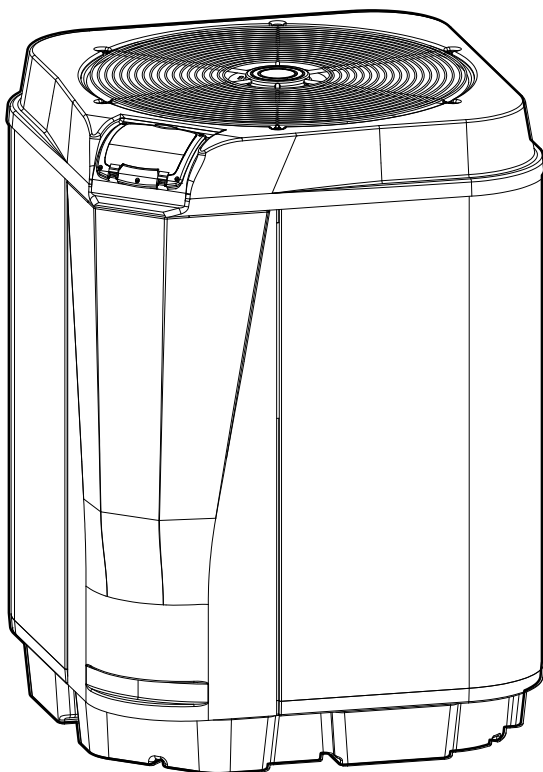
H0744700_REVG



ETL LISTED
CONFORMS TO
UL 60335-2-40

CERTIFIED TO
CAN/CSA C22.2 NO. 60335-2-40





VersaTemp™ thermopompe série JRT

⚠ AVERTISSEMENT

POUR VOTRE SÉCURITÉ – ce produit doit être installé et entretenu par un entrepreneur qualifié en équipements de piscine disposant d'un permis délivré par la juridiction dans laquelle le produit est installé lorsque de telles exigences étatiques ou locales existent. Celui qui assure son entretien doit être un technicien HVAC agréé certifié en réparation et entretien de thermopompes par la juridiction dans laquelle le produit sera installé là où de telles exigences nationales ou locales existent. Le technicien doit posséder et se conformer à toutes les certifications et réglementations concernant l'achat, la manipulation, le transport et la récupération du réfrigérant R410A. En l'absence d'exigences étatiques ou locales, l'installateur ou le responsable de l'entretien doit être un professionnel disposant de suffisamment d'expérience dans l'installation et l'entretien d'équipement de piscine afin de suivre avec précision toutes les directives contenues dans ce manuel. Avant d'installer ce produit, lire et suivre tous les avertissements et toutes les directives qui accompagnent ce produit. Tout non-respect des instructions d'avertissement peut entraîner des dommages matériels, des blessures corporelles ou même la mort. Une mauvaise installation ou utilisation peut annuler la garantie.



Une mauvaise installation ou utilisation peut engendrer un danger électrique pouvant entraîner des dommages matériels ou des blessures graves, voire mortelles.

À L'ATTENTION DE L'INSTALLATEUR – Le présent manuel contient des informations importantes sur l'installation, le fonctionnement et l'utilisation sécuritaire de ce produit. Ces informations doivent être transmises au propriétaire ou à l'utilisateur de cet équipement.

Table des matières

Section 1. Généralités.....	3	5.4 Options de configuration de l'utilisateur.....	21
1.1 Introduction.....	3	5.5 Réglage du point de verrouillage.....	22
1.2 Information pour le consommateur et consignes de sécurité.....	3	5.6 Ajustement de la pression du manostat d'eau.....	23
1.3 Garantie.....	5	5.7 Dégivrage au gaz chaud.....	23
1.4 Codes et normes.....	5	Section 6. Entretien général.....	24
1.5 Assistance technique.....	5	6.1 Chimie de l'eau.....	24
1.6 Matériels supplémentaires requis pour l'installation.....	5	6.2 Préparation pour l'hiver.....	24
1.7 Spécifications.....	6	6.3 Mise en service au printemps.....	25
Section 2. Directives d'installation.....	8	6.4 Inspection et entretien.....	25
2.1 Informations générales.....	8	Section 7. Entretien professionnel et réparation.....	26
2.2 Exigences relatives à l'emplacement.....	8	7.1 Conception de la thermopompe.....	26
Section 3. Raccordements d'eau.....	10	7.2 Composants et fonctionnement de la thermopompe.....	26
3.1 Disposition de la plomberie.....	10	Section 8. Dépannage.....	27
3.2 Raccordements d'eau à la thermopompe.....	10	8.1 Dépannage.....	27
3.3 Installation du clapet anti-retour.....	10	8.2 Diagnostic.....	28
3.4 Installation d'appareils multiples.....	10	Section 9. Pièces de rechange.....	29
3.5 Courbe de perte de charge.....	12	9.1 Informations de commande.....	29
Section 4. Branchements électriques.....	13	9.2 Liste des pièces pour thermopompes Jandy JRT.....	29
4.1 Informations générales.....	13	9.3 Vue agrandie des thermopompes Jandy JRT.....	31
4.2 Alimentation principale.....	13	9.4 Boîte électrique monophasée pour Jandy JRT.....	32
4.3 Liaison électrique.....	16	9.5 Boîte électrique JRT triphasée de Jandy.....	33
4.4 Télécommandes en option.....	16		
Section 5. Fonctionnement.....	19		
5.1 Précautions pour la première mise en marche.....	19		
5.2 Utilisation du contrôleur.....	20		
5.3 Fonctionnalité de refroidisseur.....	21		

FICHE DE RENSEIGNEMENTS SUR L'ÉQUIPEMENT

Date de l'installation _____

Information sur l'installateur _____

Lecture initiale du manomètre (avec filtre propre) _____

Modèle de pompe _____ Cheval-vapeur _____

Remarques _____

Section 1. Généralités

LIRE ET SUIVRE TOUTES LES DIRECTIVES

1.1 Introduction

Ce manuel procure des directives d'installation et d'utilisation pour les modèles de thermopompes JRT de Jandy. Lire ces directives d'installation et d'utilisation au complet avant de procéder à l'installation. Consulter Zodiac Pool Systems LLC (« Zodiac ») pour toutes questions concernant cet équipement. Pour obtenir des exemplaires de ce manuel veuillez nous contacter 800.822.7933.

Zodiac Pool Systems LLC
2882 Whiptail Loop #100
Carlsbad, CA 92010 É.-U.

La thermopompe Jandy JRT est alimentée en électricité par une source externe et fournit un double système de contrôle de thermostat numérique pour les combinaisons piscine/spa ou la commodité de préchauffage.

Cette thermopompe est spécialement conçue pour chauffer les piscines d'eau douce et les spas. Ne pas utiliser comme appareil de chauffage de service général. Consulter le détaillant pour savoir quel produit Jandy convient pour ces applications.

REMARQUE : « Piscines et spa d'eau douce » comprend les systèmes qui utilisent des générateurs de chlore d'eau salée, comme le générateur de chlore électronique AquaPure®. S'assurer que la teneur en sel de la piscine ou du spa *ne dépasse pas* 4 500 ppm et que le débit de l'eau est entre 30 et 70 gal/min (114 et 265 l/min). Tout type de dispositif d'assainissement, vous devez l'installer toujours sur la sortie du radiateur avec un clapet anti-retour entre la sortie du radiateur et le dispositif d'assainissement. Voir la *Section 3.3, Installation du clapet anti-retour*.

ATTENTION

L'installation et l'entretien doivent être effectués par un installateur qualifié ou une agence de service.

À l'installateur :




Après l'installation, ces instructions doivent être remises au propriétaire ou laissées sur ou à proximité de la thermopompe.

À l'utilisateur :

Ce manuel contient des informations importantes qui vous aideront à utiliser et à entretenir cette thermopompe. Veuillez le conserver pour référence future.

1.2 Information pour le consommateur et consignes de sécurité

La série de pompes à chaleur JRT de Jandy est conçue et fabriquée pour fournir de nombreuses années de service sûr et fiable lorsqu'elle est installée, exploitée et entretenue conformément aux informations contenues dans ce manuel et aux codes d'installation mentionnés dans les sections suivantes. Tout au long du manuel, les avertissements de sécurité et les mises en garde sont identifiés par le symbole «  ». S'assurer de lire et de respecter tous les avertissements et mises en garde.

Règles de sécurité pour spa et cuve thermique

AVERTISSEMENT

La Commission de sécurité des produits de consommation des États-Unis avertit qu'une température élevée de l'eau peut être dangereuse. Consulter les instructions de fonctionnement et d'installation du réchauffeur pour les directives de température de l'eau avant de régler la température.

⚠ AVERTISSEMENT

Les « Règlements de sécurité pour les spas » qui suivent sont recommandés par la Commission « U.S. Consumer Product Safety » et doivent être respectés lors de l'utilisation du spa. Consulter les instructions d'installation et d'utilisation pour des consignes concernant la température de l'eau avant le réglage de la température.

- La température de l'eau dans les spas ou cuves thermales ne doit jamais dépasser 104 °F (40 °C). Une température de cent degré Fahrenheit (100 °F [38 °C]) est considérée comme sûre pour un adulte en bonne santé. Des précautions particulières sont recommandées pour les jeunes enfants.
- La consommation de boissons alcoolisées avant ou pendant l'utilisation du spa ou de la cuve thermique peut causer une somnolence pouvant entraîner une perte de conscience et, par conséquent, la noyade.
- **Avis aux femmes enceintes !** Tremper dans de l'eau à une température supérieure à 102 °F (38,5 °C) peut entraîner des lésions fœtales pendant les trois (3) premiers mois de grossesse (qui peuvent entraîner la naissance d'un enfant ayant des lésions cérébrales ou des déformations). Les femmes enceintes qui souhaitent utiliser un spa ou une cuve thermique doivent s'assurer que la température de l'eau est inférieure à 100 °F (38 °C) au maximum.
- La température de l'eau doit toujours être vérifiée à l'aide d'un thermomètre précis avant d'entrer dans un spa ou une cuve thermique. Les réglages de température peuvent varier de 1 °F / 1 °C.
- Les personnes ayant des antécédents médicaux de maladie du cœur, de diabète, de problèmes circulatoires ou de pression sanguine doivent consulter leur médecin avant d'utiliser une cuve thermique ou un spa.
- Les personnes prenant des médicaments qui provoquent de la somnolence (par ex., des tranquillisants, des antihistaminiques ou des anticoagulants) ne doivent pas utiliser de spas ou de cuves thermales.

⚠ AVERTISSEMENT

L'immersion prolongée dans de l'eau chaude peut provoquer de l'hyperthermie.

L'hyperthermie survient lorsque la température interne du corps atteint un niveau de plusieurs degrés au-dessus de la température normale du corps de 98,6 °F (37 °C). Les symptômes incluent le vertige, l'évanouissement, la somnolence, la léthargie et l'augmentation de la température interne du corps. Les effets de l'hyperthermie comprennent :

- Absence de conscience d'un danger imminent
- Incapacité de sentir la chaleur
- Incapacité à reconnaître la nécessité de sortir du spa
- Inaptitude à quitter le spa
- Lésions fœtales chez la femme enceinte
- Perte de conscience entraînant un risque de noyade

⚠ AVERTISSEMENT

Cet appareil n'est pas conçu pour être utilisé par des personnes (y compris les enfants) ayant des capacités physiques, sensorielles ou mentales réduites, ou manquant d'expérience et de connaissances, à moins d'être supervisées ou instruites sur l'utilisation de l'appareil par une personne responsable de leur sécurité.

⚠ AVERTISSEMENT

ÉVITER LA NOYADE DES ENFANTS : Ne laissez personne, en particulier les jeunes enfants, s'asseoir, marcher, s'appuyer ou grimper sur tout équipement installé dans le cadre du système de fonctionnement de votre piscine. Placez les composants de votre système de fonctionnement à au moins 1,5 m (5 pi) de la piscine afin que les enfants ne puissent pas utiliser l'équipement en étant dans la piscine et se blesser ou se noyer.

CONSERVER CES DIRECTIVES

Conseils en matière d'économie d'énergie pour piscine

Il est important de noter qu'une thermopompe ne chauffe pas une piscine aussi rapidement qu'un gros chauffe-piscine au gaz ou électrique. Si l'eau de la piscine refroidit considérablement, plusieurs jours peuvent être nécessaires pour revenir à la température de baignade souhaitée. Pour une utilisation la fin de semaine, il est *plus économique* de maintenir la température de l'eau de la piscine à ou près de la température de baignade souhaitée. S'il n'est pas prévu d'utiliser la piscine pendant une période prolongée, on peut choisir d'éteindre complètement la thermopompe ou de diminuer le réglage de la température de la commande de plusieurs degrés pour minimiser la consommation d'énergie.

Jandy recommande ce qui suit pour aider à économiser de l'énergie et minimiser les coûts d'opération de la thermopompe sans sacrifier le confort.

1. La Croix-Rouge américaine recommande une température maximale de l'eau de 78 °F (25 °C). Utiliser un thermomètre de piscine précis. Une différence de 4 °F (2 °C), entre 78 °F et 82 °F (26 °C et 28 °C), augmentera considérablement la consommation d'énergie.
2. Surveiller attentivement la température de l'eau de votre piscine en été. Il est possible de réduire l'utilisation de la thermopompe en raison des températures de l'air plus chaudes.
3. Pendant l'hiver ou lorsque absent pour vacances pendant plus d'une semaine, éteindre la thermopompe.
4. Trouver le bon réglage sur la commande de température de la thermopompe et utiliser le verrouillage du point de consigne ou verrouiller le couvercle du contrôleur de la thermopompe pour décourager d'autres ajustements.
5. Régler l'horloge de la pompe pour la démarrer au plus tôt à 6 h pendant la saison de chauffage de la piscine. C'est le moment où la perte de chaleur nocturne se stabilise.
6. Dans la mesure du possible, abriter la piscine contre les vents dominants avec des haies bien taillées ou autres aménagements paysagers, cabanes et clôtures.
7. L'utilisation d'une couverture de piscine automatique, si elle est installée, offre une fonction de sécurité précieuse, réduit les pertes de chaleur, conserve les produits chimiques et réduit la charge sur les systèmes de filtration.
8. L'utilisation d'une toile solaire permet de réduire les pertes de chaleur causées par l'évaporation sur la surface de la piscine.

1.3 Garantie

La thermopompe JRT de Jandy est accompagnée d'une garantie d'usine limitée.

Faire toutes les réclamations de garantie au détaillant Jandy ou directement à Jandy. Les réclamations doivent inclure le numéro de série et le modèle de la thermopompe (ces informations se trouvent sur la plaque signalétique), la date d'installation et le nom de l'installateur. Les frais d'expédition ne sont pas inclus dans la couverture de la garantie.

La garantie ne couvre pas les dommages causés par un assemblage, une installation, un fonctionnement, un hivernage, une modification sur site inappropriés ou un défaut de mise à la terre de l'appareil. Toute modification apportée à la thermopompe, à l'évaporateur, à l'échangeur de chaleur, au câblage ou à une mauvaise installation peut annuler la garantie.

1.4 Codes et normes

La thermopompe JRT de Jandy est répertoriée par ETL® comme étant conforme à la dernière édition de la « Norme UL pour les thermopompes électriques, les climatiseurs et les déshumidificateurs », UL 60335-2-40 et CSA n° 60335-2-40.

Toutes les thermopompes Jandy doivent être installées conformément aux codes locaux de construction et d'installation selon le service public ou l'autorité compétente. Tous les codes locaux ont préséance sur les codes nationaux. En l'absence de codes locaux, se reporter à la dernière édition du National Electrical Code® (NEC®) aux États-Unis et du Code canadien de l'électricité (CEC®) au Canada pour l'installation.

1.5 Assistance technique

Consulter le service d'assistance technique Jandy ou le détaillant Jandy local pour toute question ou problème concernant l'équipement Jandy. Une équipe d'assistance technique expérimentée est prête à aider afin de garantir le bon fonctionnement et l'application des produits Jandy. Pour une assistance technique, appeler le service d'assistance technique de Jandy au 800.822.7933.

1.6 Matériels supplémentaires requis pour l'installation

Les articles suivants sont nécessaires et doivent être fournis par l'installateur pour **toutes** les installations de thermopompes :

1. Raccords de tuyauterie (2 po).
2. Nivelier la surface pour un bon drainage. (Consulter le socle de l'équipement pour connaître les exigences en matière d'espacement).

3. Ligne d'alimentation électrique appropriée. Voir la plaque signalétique sur l'appareil pour les spécifications électriques. Une boîte de jonction n'est pas nécessaire à la thermopompe; les raccordements sont effectués à l'intérieur du compartiment électrique de la thermopompe. Le conduit peut être fixé directement à l'enveloppe de la thermopompe.

REMARQUE : Un conduit flexible est recommandé pour connecter les fils d'alimentation électrique à la thermopompe afin que le panneau avant puisse être retiré facilement pour l'entretien.

4. Interrupteur électrique qui interrompra toute alimentation électrique de l'appareil. Cet interrupteur *doit* être à portée de vue de la thermopompe.
5. Conduit étanche pour le passage de la ligne d'alimentation électrique.

1.7 Spécifications

Convient pour une utilisation extérieure. Les dégagements indiqués dans la *Table 2* doivent être respectés.

Raccordement de tuyau d'eau/appareil de chauffage	
Plastic	2 po PVC (raccords compris)
Débit	
Maximum	70 gal/min (265 l/m)
Optimal	JRT2000R = 42 gal/min (159 l/m), JRT2500R = 48 gal/min (182 l/m), JRT3000R/R3 = 57 gal/min (216 l/m)
Minimum	JRT2000R/2500R = 20 gal/min (76 l/m) JRT3000R/R3 = 30 gal/min (114 l/m)
Température de l'eau en fonctionnement	
Minimum	32 °F (0 °C)
Maximum	104 °F (40 °C)
Pression maximum d'utilisation de l'eau	
	75 psi
Alimentation électrique	
Exigences en matière de tension 1phasé 3phasé	230 VAC 60Hz 208-230 VAC 60Hz (pour le modèle JRT3000R3 uniquement)
Pression maximum d'utilisation du réfrigérant	
	600 PSI
Dimensions	
Se reporter à la <i>Figure 1</i> pour les dimensions de la thermopompe et celles des raccordements importants.	
Caractéristiques techniques	
Se reporter au <i>Table 1</i> pour les caractéristiques de la thermopompe JRT de Jandy.	

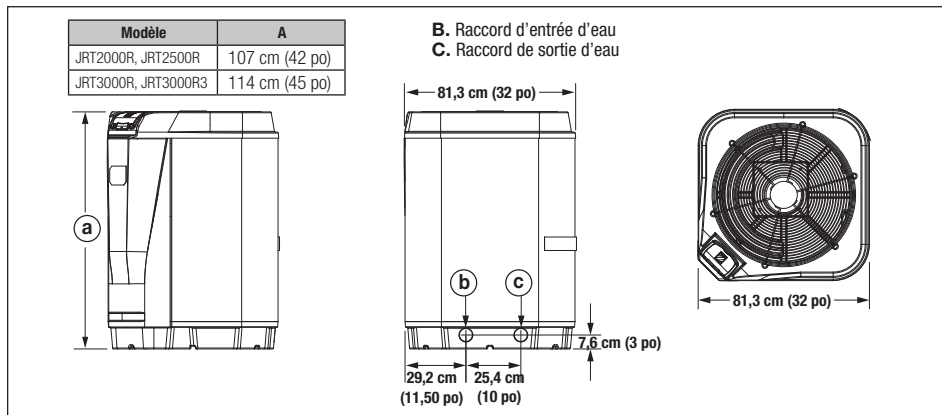


Figure 1. Dimensions des thermopompes JRT de Jandy

Modèle	JRT2000R	JRT2500R	JRT3000R	JRT3000R3
Tension	208/230V/60HZ	208/230V/60HZ	208/230V/60HZ	208/230V/60HZ
Sortie (80/80/80)*	103,000 BTU	116,000 BTU	130 000 BTU	130,000 BTUs
Entrée (80/80/80)*	4,72 kW	5,23 kW	6,57 kW	6.2 kW
COP (80/80/80)*	6.4	6.5	5,8	6.1
Sortie (80/63/80)**	96,000 BTUs	109,000 BTUs	124 000 BTU	124,000 BTUs
COP (80/63/80)**	6.1	6.1	5,6	5.9
Sortie (50/63/80)**	62,000 BTU	70,000 BTU	82 000 BTU	85,000 BTUs
COP (50/63/80)***	4.1	4.1	4,0	4.4
RLA (ampères de charge en exécution [running load amps])	28,3A	29A	32,5A	33A
LRA (ampères rotor verrouillé [locked rotor amps])	178A	145A	148A	179A
Ampérage de circuit minimum	38A	39A	40A	40A
N° protection courant maximum	40A	50A	50A	50A
Fonction de refroidissement	OUI	OUI	OUI	OUI
Dégivrage par gaz chaud	OUI	OUI	OUI	OUI
Échangeur de chaleur	Serpentin enroulé Ti			
Compresseur	Défiler			
Armoire	ABS			
Hauteur maximale sous niveau d'eau	10 pieds			
Hauteur minimale au-dessus niveau d'eau	5 pieds			
Débit d'eau optimal	42 gal/min	48 gal/min	57 gal/min	57 gal/min
Débit d'eau minimum	20 gal/min	20 gal/min	30 gal/min	30 gal/min
Débit d'eau maximum	70 gal/min			
Débit d'air	3 600 pi ³ /min			
Taille du raccord	Pièce queue PVC 2 po / Écrou			
Poids	232 lb	242 lb	252 lb	300 lb
* Classé conformément à la norme AHRI 1160. Conditions d'essai : 80 °F Air, 80 % HR, 80 °F eau.				
** Classé conformément à la norme AHRI 1160. Conditions d'essai : 80 °F Air, 63 % HR, 80 °F eau.				
*** Classé conformément à la norme AHRI 1160. Conditions d'essai : 50 °F Air, 63% RH, 80 °F Eau.				
**** La protection maximale contre les surintensités fait référence à la taille de disjoncteur maximale autorisée. Si cette valeur n'est pas une taille de disjoncteur standard, utiliser le disjoncteur de taille standard le plus petit suivant.				
La taille du disjoncteur ne doit pas être inférieure à la valeur d'intensité minimale du circuit.				

Table 1. Caractéristiques techniques de la thermopompe JRT de Jandy

Section 2. Directives d'installation

2.1 Informations générales

Installer les thermopompes Jandy conformément aux procédures de ce manuel, aux codes et ordonnances locaux, et conformément à la dernière édition du code national approprié. (Voir *Section 1.4, Codes et normes.*) Une installation correcte est nécessaire pour assurer un fonctionnement sûr. Les exigences pour les thermopompes Jandy sont les suivantes :

1. Assemblage sur le terrain (si requis).
2. Un emplacement et des dégagements adéquats.
3. Une ventilation d'air suffisante.
4. Un câblage électrique correct.
5. Un débit d'eau adéquat.

Ce manuel procure les informations nécessaires pour satisfaire ces exigences. Lire toutes les procédures d'utilisation et d'installation avant de poursuivre l'installation.

2.2 Exigences relatives à l'emplacement

REMARQUE : Les installations à l'intérieur ne sont pas recommandées. Appelez l'assistance technique de Jandy pour plus d'informations au 800.822.7933.

▲ MISE EN GARDE

Lorsque l'équipement de la piscine se trouve sous la surface de la piscine, une fuite provenant d'un composant peut causer une grande perte d'eau ou une inondation. Zodiac ne peut être tenue responsable d'une telle perte d'eau ou inondation ni des dommages que cela entraîne.

Éviter de placer la thermopompe dans des endroits où elle peut causer des dommages par l'eau ou des fuites de condensat. Si cela n'est pas possible, fournir un bac de récupération approprié pour récupérer et détourner toute fuite.

Tous les critères donnés dans les sections suivantes reflètent les dégagements minimaux. Cependant, chaque installation doit également être évaluée, en tenant compte des conditions locales prédominantes telles que la proximité et la hauteur des murs, et la proximité des zones d'accès public.

Dégagements

La thermopompe doit être placée de manière à permettre un dégagement sur tous les côtés aux fins d'entretien et d'inspection. Voir la *Table 2*.

L'accès devant la thermopompe de 24 po (60 cm) offre suffisamment d'espace pour l'entretien.

Si la thermopompe doit être installée sous un surplomb vertical, l'appareil doit avoir un dégagement d'au moins 5 pieds (1,5 mètre) du haut de la thermopompe.

Côté de la thermopompe	Dégagements minimaux pour le fonctionnement		Dégagements recommandés pour l'entretien	
	pouces	cm	pouces	cm
Devant	24	60	36	90
Arrière	12	30	24	60
Gauche	12	30	24	60
Droite	12	30	24	60
Dessus	60	150	60	150

Table 2. Dégagements de la thermopompe

REMARQUE : Les dégagements énumérés dans la *Table 2* sont des valeurs testées par le fabricant. Ils constituent des valeurs minimales. Lorsque les codes locaux et nationaux s'appliquent, et que les valeurs diffèrent de celles énumérées dans la *Table 2*, utiliser la valeur la plus élevée pour garantir un fonctionnement sûr et adéquat.

Aux États-Unis, la thermopompe doit être installée à au moins 5 pieds (1,5 mètre) du mur intérieur de la piscine ou du spa, à moins que la thermopompe ne soit séparée de la piscine ou du spa par une clôture solide de 5 pieds (1,5 mètre) de haut ou une autre barrière permanente.

Dans les installations canadiennes, la distance minimale à maintenir de la paroi intérieure de la piscine ou du spa est de 3 mètres (environ 10 pieds).

Socle de l'équipement

Placer la thermopompe sur une surface plane légèrement inclinée, telle qu'une dalle en béton ou une dalle fabriquée. Cela permet une bonne évacuation de la condensation et de l'eau de pluie de la base de l'appareil. Si possible, le socle doit être placé au même niveau ou légèrement plus haut que celui de l'équipement du système de filtration.

REMARQUE : S'assurer que le coussin n'est pas incliné de plus de ¼ de pouce par pied vers l'extrémité du compresseur (devant) de la thermopompe. Espacer la dalle de l'arrière vers l'avant de ¼ de pouce par pied maximum et mettre de niveau d'un côté à l'autre.

Condensation et drainage

La condensation se produira à partir du serpentin de l'évaporateur pendant que l'appareil fonctionne et se videra à un rythme constant, généralement de 11,4 à 18,9 litres (3 à 5 gallons) par heure, selon la température et l'humidité de l'air ambiant. Plus les conditions ambiantes sont humides, plus la condensation se produira. Garder les trous de drainage de la base de l'appareil exempts de débris.

Arroseurs de pelouse

Empêcher les têtes d'arrosage de pelouse de pulvériser sur la thermopompe pour éviter la corrosion et les dommages. Utiliser un déflecteur si nécessaire.

Ruissellement du toit

S'assurer que la thermopompe n'est pas située à un endroit où de grandes quantités d'eau peuvent ruisseler d'un toit dans l'appareil. Les toits à forte pente sans gouttières permettront à des quantités massives d'eau de pluie, mélangées aux débris du toit, d'être forcées à travers l'appareil. Une gouttière ou un tuyau de descente peut être nécessaire pour protéger la thermopompe.

Installation des brides d'ancrage

En Floride, les codes du bâtiment exigent que la thermopompe soit ancrée au socle ou à la plate-forme de l'équipement pour résister aux pressions de vent élevées créées pendant les ouragans. D'autres juridictions peuvent avoir des exigences similaires. Vérifier les codes locaux pour plus de détails.

Cette thermopompe est fournie avec des brides d'ancrage conçues pour maintenir l'appareil au socle de l'équipement dans des conditions de vent fort. L'installation de brides d'ancrage est recommandée dans toutes les installations et est requise en Floride (référence Florida Building Code, Mechanical Section 301.13).

Pour installer les brides d'ancrage :

1. S'assurer que la thermopompe est à son emplacement permanent sur le socle de l'équipement.
2. Placer les brides à la base de la thermopompe aux emplacements indiqués à la *Figure 2*.
3. Placer le crochet de chaque bride sur la lèvre du panneau de base de la thermopompe. Le crochet doit s'insérer entre le rebord du panneau de base et la protection du serpentin de l'évaporateur (voir *Figure 3*).
4. Marquer la position du trou dans chaque bride sur le socle de l'équipement.
5. Percer un trou dans le ciment à l'aide d'un foret à maçonnerie, d'un diamètre déterminé par l'ancrage à béton, à chacune des marques sur le socle de l'équipement. Le trou doit avoir une profondeur d'environ 1 3/4 po.
6. Insérer un boulon d'ancrage dans chacun des trous. S'assurer que les ancrages sont complètement insérés dans les trous.
7. Positionner les brides d'ancrage de sorte que les trous des brides soient au-dessus des boulons d'ancrage. S'assurer que les crochets de serrage sont au-dessus de la lèvre de la base de la thermopompe (voir *Figure 3*).

8. Insérer un boulon d'ancrage à travers chaque bride dans l'ancrage et serrer pour fixer la pince et la thermopompe au socle de l'équipement.

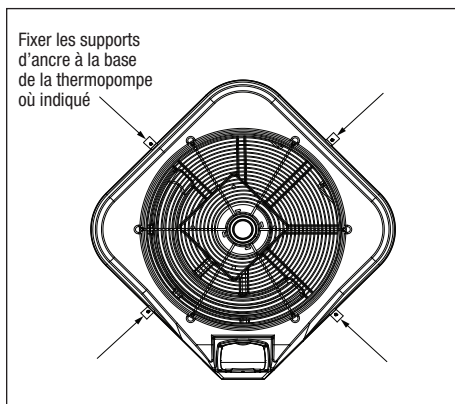


Figure 2. Positions de la bride d'ancrage

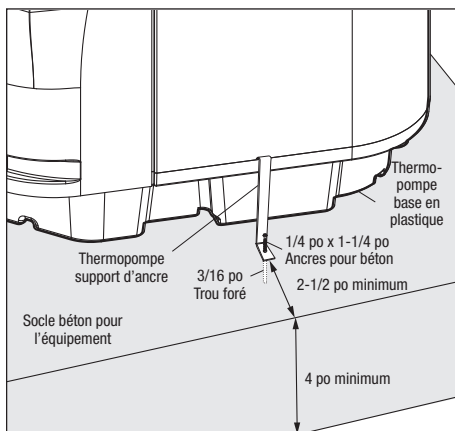


Figure 3. Installation de la bride d'ancrage

Section 3. Raccordements d'eau

3.1 Disposition de la plomberie

La *Figure 4* illustre la disposition de plomberie standard avec une seule thermopompe. En suivant le schéma de droite à gauche, la séquence de plomberie est la suivante :

Piscine > Pompe de piscine > Filtre > Thermopompe > Clapet anti-retour > Boucle chimique > Chlorinateur > Piscine

REMARQUE : Pour les installations normales, ne pas installer de vanne d'arrêt ou tout autre type de restriction variable dans la tuyauterie d'eau entre la sortie de la thermopompe et la piscine/le spa.

La disposition des composants du système de piscine autre que celle illustrée dans les schémas précédents et suivants peut affecter le fonctionnement du manostat d'eau de la thermopompe. L'emplacement de la thermopompe au-dessus ou au-dessous de la surface de l'eau de la piscine peut également affecter le fonctionnement de l'interrupteur. En général, le commutateur de pression peut être ajusté afin d'accommoder cet effet si les raccordements d'eau de la thermopompe ne sont pas en dessous de 10 pieds sous la surface de l'eau de la piscine et pas plus de 5 pieds au-dessus. Se reporter aux directives pour l'ajustement du commutateur de pression (voir *Section 5.6, Ajustement de la pression du manostat d'eau*) dans la section de démarrage de la thermopompe du présent manuel pour obtenir de plus amples informations à ce propos. Si la thermopompe est installée en dehors de cette plage, un interrupteur de débit externe peut devoir être installé dans la plomberie en amont de la thermopompe. Appeler le service d'assistance technique de Jandy au 800.822.7933 pour plus de détails.

Il faut tenir compte que lorsque l'équipement de la piscine est situé sous la surface de la piscine, une fuite peut entraîner une perte d'eau à grande échelle ou une inondation. Jandy ne peut être tenu responsable d'une telle perte d'eau ou inondation ni des dommages causés par l'un ou l'autre événement.

3.2 Raccordements d'eau à la thermopompe

L'eau filtrée est raccordée à l'entrée, située sur la partie inférieure arrière de la pompe à chaleur. Le raccordement de l'eau d'entrée se trouve à gauche. L'eau chauffée passe par la sortie, située sur la gauche. Des raccords de deux pouces (2») sont fournis. La tuyauterie en plastique (PVC Schedule 40) doit être raccordée à la thermopompe. Les unions, fournies avec l'unité, acceptent des tuyaux en PVC de 2 pouces.

Si le débit d'eau est supérieur à 70GPM, une dérivation externe doit être installée. Voir le schéma de tuyauterie pour plus de détails.

▲ MISE EN GARDE

S'assurer que les exigences de débit et les taux de renouvellement de l'eau de la piscine peuvent être maintenus avec l'installation de thermopompes supplémentaires et des restrictions de plomberie.

3.3 Installation du clapet anti-retour

▲ AVERTISSEMENT

Un clapet anti-retour peut interférer avec le bon fonctionnement de certains produits du système d'évacuation d'aspiration à vide (SVRS). Pour éviter les risques de piégeage, les blessures graves ou la mort, veuillez lire le manuel de fonctionnement ou du propriétaire de votre produit SVRS particulier avant d'installer le clapet anti-retour.

La thermopompe doit être protégée des retours d'eau. S'il y a un risque de retour de siphon, installer un clapet anti-retour entre la piscine et l'entrée de la pompe de filtration.

Lorsqu'un doseur automatique de produits chimiques est installé dans la plomberie, il doit être installé en aval de la thermopompe. Un clapet anti-retour doit être installé entre la thermopompe et le doseur de produits chimiques pour empêcher le retour d'eau chimiquement saturée dans la thermopompe, ce qui endommagerait les composants.

3.4 Installation d'appareils multiples

Combinaison thermopompe et chauffage

Dans certaines régions du pays, il peut être plus économique de faire fonctionner une thermopompe pendant les mois les plus chauds et un chauffage au gaz pendant les mois les plus froids. Dans certaines situations, il peut être souhaitable de faire fonctionner la thermopompe en mode « refroidisseur » pendant la partie la plus chaude de l'année et un chauffage pendant les mois les plus froids. La thermopompe Jandy peut être raccordée à un chauffage au gaz ou électrique ou à toute combinaison de sources de chaleur, y compris solaire. Toutes les sources de chaleur doivent être raccordées en série pour fonctionner correctement et efficacement.

La *Figure 5* illustre une disposition de plomberie recommandée pour un système de chauffage combiné de thermopompe / chauffe-eau / solaire pour une combinaison piscine/spa. Votre système peut ne pas contenir tous ces composants, mais la plomberie de base s'appliquera en éliminant le composant de l'illustration qui ne fait pas partie de votre système.

Connexions de plusieurs thermopompes

Toute la plomberie sur les installations de plusieurs thermopompes doit être effectuée en parallèle (voir la Figure 6 et Figure 7). Un débit d'eau égal à chaque thermopompe est important pour un fonctionnement optimal.

REMARQUE : Il peut être nécessaire de régler le manostat d'eau si un appareil est installé sous le niveau d'eau. Voir Section 5.6, *Ajustement de la pression du manostat d'eau* pour plus de détails sur quand et comment régler le manostat.

REMARQUE : Chaque thermopompe permet un débit maximal de 70 gal/min (265 l/min) et nécessite un minimum de 20 gal/min (76 l/min) pour JRT2000R/2500R et 30 gal/min (114 l/min) pour JRT3000R/JRT3000R3.

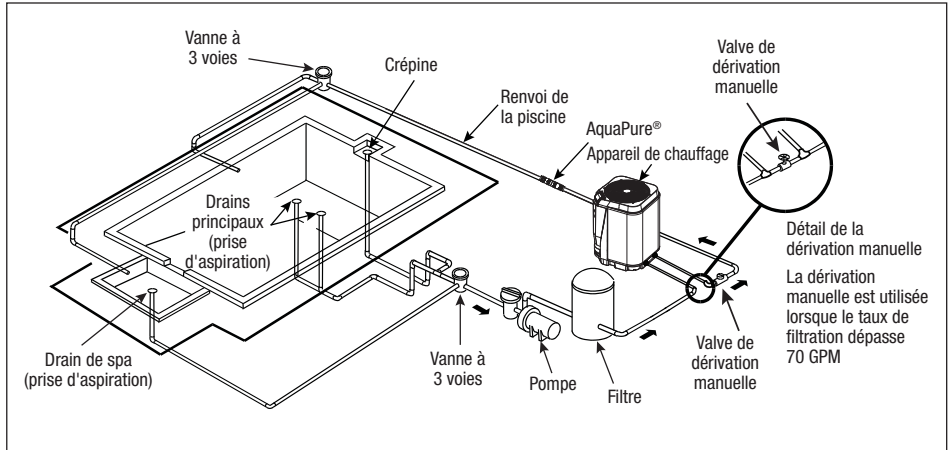


Figure 4. Disposition normale de la plomberie

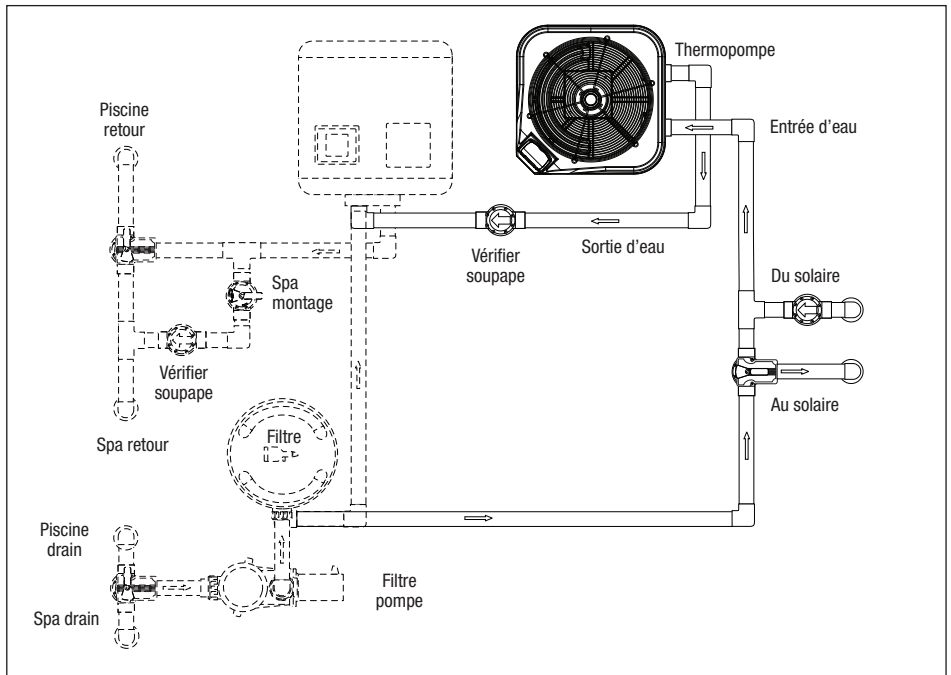


Figure 5. Plomberie pour les combinaisons du système de chauffage

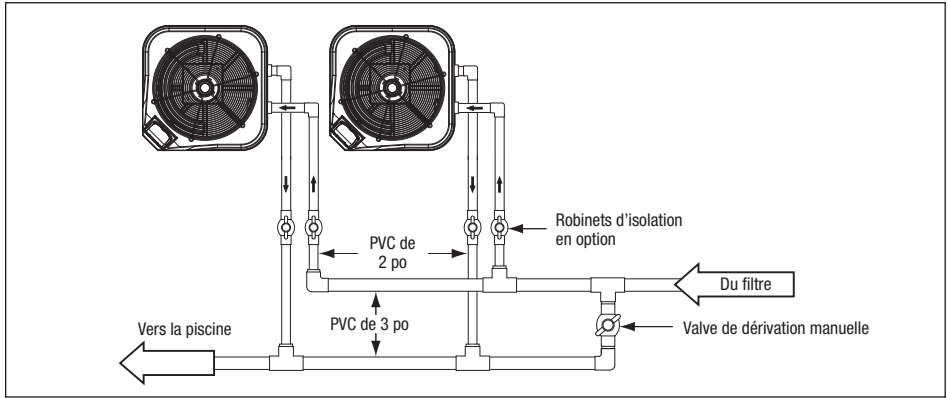


Figure 6. Disposition de la plomberie de deux (2) thermopompes

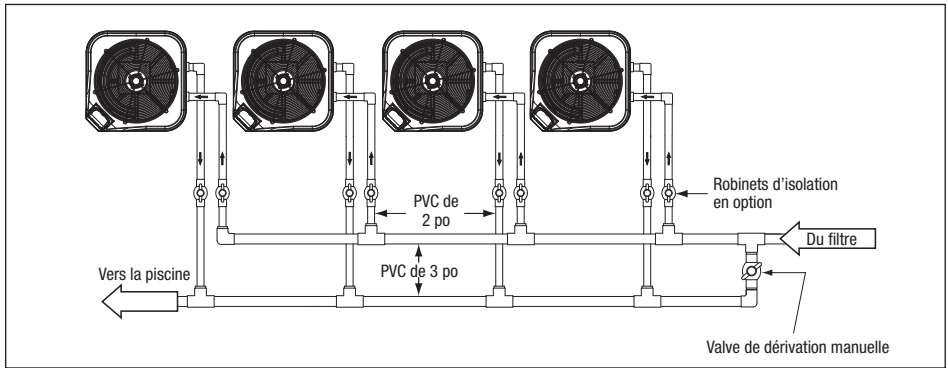
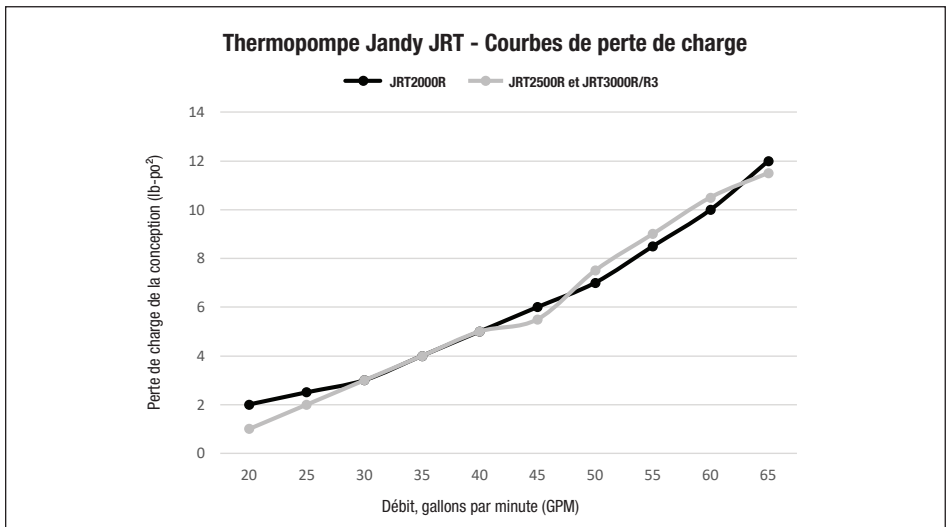


Figure 7. Disposition de la plomberie de quatre (4) thermopompes

3.5 Courbe de perte de charge



Section 4. Branchements électriques

4.1 Informations générales

Les connexions de câblage doivent être effectuées exactement comme indiqué dans le schéma de câblage qui se trouve à l'intérieur du compartiment d'accès de la thermopompe (voir la *Figure 8* pour le câblage électrique monophasé). La thermopompe doit inclure un moyen défini de mise à la terre et de mise à la terre. Il y a une cosse de liaison sur le côté droit de la thermopompe, où un fil de liaison doit être fixé.

4.2 Alimentation principale

Le câblage électrique à la thermopompe doit être conforme à la dernière édition du National Electric Code® (NEC®), ANSI/National Fire Protection Association (NFPA 70®) aux États-Unis, et au Canada, le Code électrique canadien (CSA® C22.1), à moins que le code local ne comporte d'autres exigences.

Les thermopompes sont câblées en usine pour une utilisation avec 230 VCA, 60 Hz monophasé. Voir la plaque signalétique pour les spécifications électriques. Tout le câblage doit être effectué par un électricien certifié.

Voici la procédure à suivre pour raccorder la thermopompe JRT de Jandy à la source électrique indiquée sur la plaque signalétique :

1. S'assurer que l'alimentation du circuit de la thermopompe est coupée.
2. Retirer les trois (3) vis qui fixent le panneau de service/d'accès à l'unité de thermopompe (voir *Figure 10*).
3. Retirer le panneau avant.
4. Retirer la vis sur le côté droit du boîtier de commande.
5. Ouvrir le boîtier de commande.
6. Faire passer le conduit électrique à travers la base de l'unité.
7. Connecter le conduit électrique au côté droit du boîtier de commande avec le connecteur de conduit.
8. Connecter les fils aux bornes du contacteur principal comme indiqué sur le schéma de câblage. Se reporter à la *Figure 8*.
9. Connecter le fil de terre à la cosse de terre fournie dans le compartiment électrique.
10. Fermer le boîtier de commande et le fixer avec la vis fournie.
11. Réinstaller le panneau d'accès de service et le fixer avec les vis fournies.

12. Connecter un fil de liaison en cuivre (8 AWG). Au Canada, il ne doit pas être inférieur à 6 AWG (13,3 mm²) à la cosse de collage sur le côté droit de la thermopompe.

⚠ AVERTISSEMENT

RISQUE DE CHOC ÉLECTRIQUE. Cette thermopompe contient un câblage qui transporte une haute tension. Le contact avec ces fils peut entraîner de graves blessures ou la mort. Débrancher le circuit d'alimentation avant de connecter la thermopompe.

⚠ AVERTISSEMENT

Coupez l'alimentation électrique et l'alimentation en gaz de l'appareil de chauffage avant de commencer et gardez-les éteints pendant toute la procédure. Le non-respect de cette consigne pourrait provoquer un incendie, une explosion ou un choc électrique, ce qui pourrait entraîner des dommages matériels, des blessures corporelles graves et/ou la mort.

Lors du débranchement et/ou du branchement de tout câblage électrique dans l'appareil, veillez à ne pas endommager ou abraser le câblage.

⚠ MISE EN GARDE

Étiqueter tous les fils avant de déconnecter lors de l'entretien des contrôles. Les erreurs de câblage peuvent entraîner un dysfonctionnement potentiellement dangereux. Vérifier le bon fonctionnement après l'entretien.

4.2.1 Moyens de débranchement

Un moyen de débrancher l'alimentation de la pompe à chaleur doit être situé à portée de vue de l'équipement et installé conformément au code local.

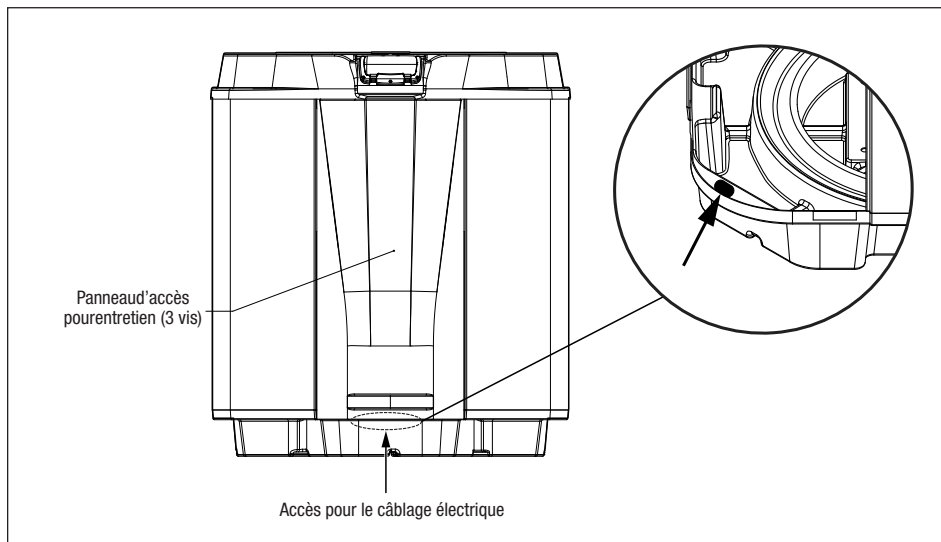


Figure 10. Vue avant thermopompe JRT de Jandy

4.3 Liaison électrique

▲ MISE EN GARDE

Cette thermopompe doit être connectée à une grille de connexion avec un fil de cuivre solide d'un diamètre d'au moins 8 AWG (au Canada, il ne doit pas être inférieur à 6 AWG.)

Le Code national de l'électricité «National Electrical Code»® (NEC® aux États-Unis) ou le Code Canadien de l'électricité «Canadian Electrical Code» (CEC au Canada) exige que les équipements de la piscine soient reliés entre eux. Vérifiez vos codes locaux pour déterminer si le NEC ou le CEC et/ou d'autres codes d'installation locaux sont appliqués par l'autorité compétente (AHJ aux États-Unis) ou les autorités locales compétentes au Canada. Un fil de cuivre solide de 8,37 mm² (8 AWG) est requis selon le NEC, et de 13,3 mm² (6AWG) selon le CEC, pour relier l'équipement à une connexion de mise à la terre permanente qui est acceptable pour l'AHJ local ou les autorités compétentes locales au Canada.

Consultez les codes en vigueur dans votre région pour connaître le calibre acceptable du fil de mise à la terre. Raccordez le point de mise à la terre situé au bas de la thermopompe à un point de mise à la terre commun. N'utilisez pas la thermopompe comme point de mise à la terre commun. Chaque pièce d'équipement de piscine non connexe nécessitant une mise à la terre doit également être reliée au point de mise à la terre commun et approuvé.

Le Code national de l'électricité «National Electrical Code»® (NEC®) exige que l'eau de la piscine soit mise à la terre. Lorsqu'aucun des équipements, structures ou pièces de la piscine collés n'est en contact direct

avec l'eau de la piscine, celle-ci doit être en contact direct avec une surface conductrice résistante à la corrosion approuvée qui expose en permanence au moins 5800 mm² (9 pouces²) de la surface à l'eau de la piscine. La surface conductrice doit être située à un endroit où elle n'est pas exposée à des dommages physiques ou à un déplacement pendant les activités habituelles de la piscine, et elle doit être collée conformément aux exigences de collage de l'article 680 du NEC. Reportez-vous aux codes en vigueur localement pour toute exigence supplémentaire en matière de cautionnement des piscines et des spas.

4.4 Télécommandes en option

Le câblage électrique doit être conforme à tous les codes et ordonnances nationaux et locaux applicables.

Connexion à un sélecteur de piscine-hors-spa à distance (connexion à 3 fils)

Installer le sélecteur de piscine-hors-spa à distance

1. Couper l'alimentation du système de contrôle de la piscine/du spa et de l'appareil de thermopompe.
2. Retirer les vis qui fixent le panneau de service/d'accès à l'appareil de thermopompe et le couvercle à la boîte de jonction (voir Figure 10).

3. Acheminer les fils du système de contrôle de la piscine/du spa dans le conduit de connexion étiqueté « Low Voltage Connection », situé en bas à droite de la thermopompe (voir *Figure 12*). Assurez-vous que les conducteurs ne sont pas pincés ou endommagés.
4. Connecter le câblage du système de contrôle de la piscine/du spa à la borne de télécommande de la thermopompe. Voir *Figure 11(a)*.
5. Rétablir le courant à la thermopompe et au système de contrôle de la piscine/spa.

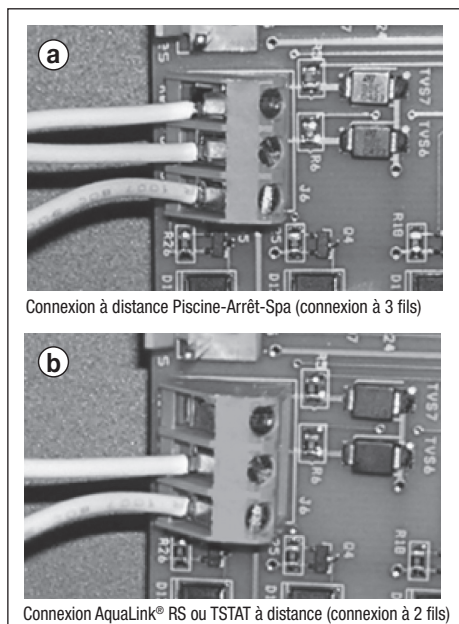


Figure 11. Câblage de connexion à distance

6. Configurer le panneau de configuration

1. S'assurer que la commande est en mode **OFF** (arrêt).
2. Pour accéder au mode de configuration du service, appuyer et maintenir enfoncés les boutons **MENU**, **POOL** et **SPA** pendant 5 secondes.

REMARQUE : L'affichage revient à **OFF** (arrêt) une minute après la dernière pression sur une touche.

3. Appuyer sur les flèches **directionnelles** pour afficher la **TÉLÉCOMMANDE**. Appuyer sur le bouton **MENU**. Le message **SELECT REMOTE OFF (SÉLECTIONNER LA TÉLÉCOMMANDE)** (par défaut) apparaît, utiliser les flèches **directionnelles** pour défiler parmi les options de la télécommande. Lorsque vous arrivez à **HI-LO-COM**, appuyer sur le bouton **MENU** pour sélectionner la télécommande. Appuyer sur **POOL** (piscine) ou **SPA** pour quitter le mode de configuration du service.

Connexion à deux fils à AquaLink® RS ou TSTAT

Une télécommande à 2 fils ne contrôlera qu'une seule fonction ; chauffage ou refroidissement. Il n'est pas possible de contrôler les deux fonctions avec la télécommande.

Configurer le système de commande AquaLink RS

1. Couper l'alimentation du système de contrôle de la piscine/du spa et de l'appareil de thermopompe.
2. Connecter les deux (2) fils aux bornes 1 et 2 à 10 broches vertes du AquaLink RS.
3. Mettre DIP S2-1 (broche n° 1 du commutateur DIP à 4 positions) sur la position ON (activée) (voir la *Figure 11*).

Installer la télécommande TSTAT

1. Couper l'alimentation du système de contrôle de la piscine/du spa et de l'appareil de thermopompe.
2. Retirer les vis qui fixent le panneau de service/d'accès à l'appareil de thermopompe et le couvercle à la boîte de jonction (voir la *Figure 10*).
3. Acheminer les fils du système de contrôle de la piscine/du spa dans le conduit de connexion étiqueté « Low Voltage Connection », situé en bas à droite de la thermopompe (voir *Figure 10*). Assurez-vous que les conducteurs ne sont pas pincés ou endommagés.
4. Connecter le câblage du système de contrôle de piscine/spa à la borne de télécommande de la thermopompe. Voir *Figure 11(b)*.
5. Rétablir le courant à la thermopompe et au système de contrôle de la piscine/spa

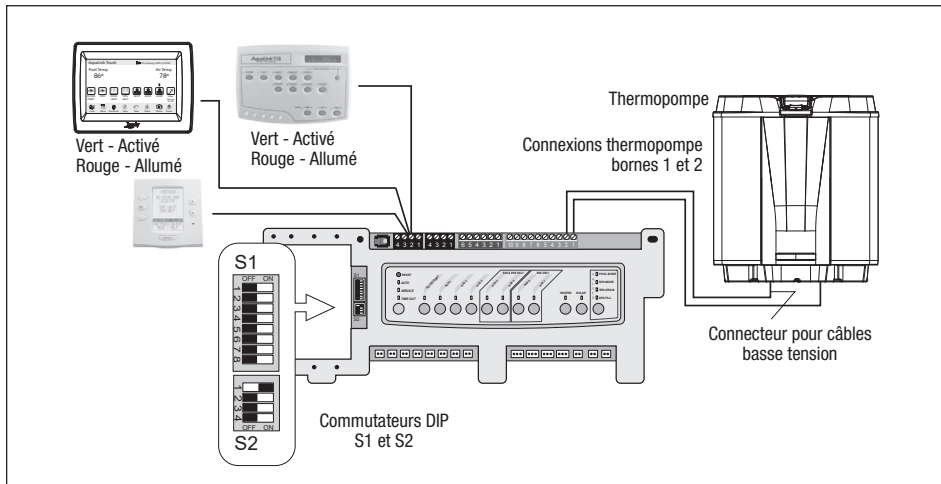


Figure 12. AquaLink® RS à thermopompe Jandy JRT - connexion T-Stat (2 fils)

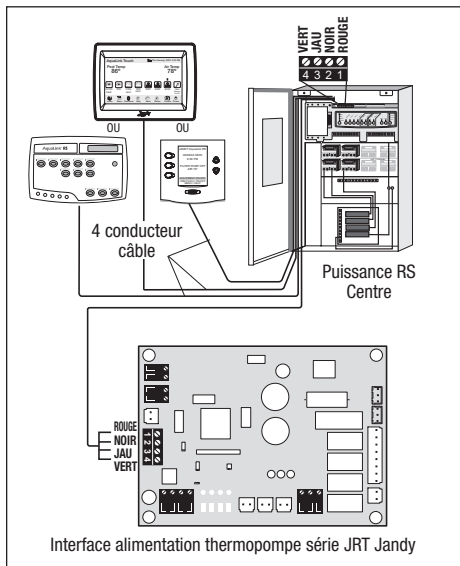


Figure 13. Thermopompe Jandy JRT à centre d'alimentation - connexion RS485 (4 fils)

Configurer le panneau de configuration

1. S'assurer que la commande est en mode **OFF** (arrêt).
2. Pour accéder au mode de configuration du service, appuyer et maintenir enfoncés les boutons **MENU**, **POOL** et **SPA** pendant 5 secondes.

REMARQUE : L'affichage revient à **OFF** (arrêt) une minute après la dernière pression sur une touche.

3. Appuyer sur les flèches directionnelles pour afficher la **TÉLÉCOMMANDE**. Le message **SELECT REMOTE OFF** (SÉLECTIONNER LA TÉLÉCOMMANDE) (par défaut) apparaît, utiliser les flèches **directionnelles** pour défiler parmi les options de la télécommande. Lorsque la **REMOTE TSTAT** (TÉLÉCOMMANDE TSTAT) apparaît, appuyer sur le bouton **MENU** pour sélectionner la télécommande. Appuyer sur **POOL** (piscine) ou **SPA** pour quitter le mode de configuration du service
4. Appuyer sur **SPA**. Pour le chauffage, régler le point de consigne au réglage maximal. Pour le refroidissement, régler le point de consigne au réglage minimal.

Connexion RS485 (4 fils) à AquaLink® RS

L'utilisation d'un contrôle AquaLink RS et d'une connexion RS485 vous permettra de contrôler à la fois la fonction de chauffage et de refroidissement avec la télécommande.

1. Confirmer que la thermopompe Jandy JRT et les révisions du logiciel AquaLink® RS sont compatibles.

Rév. Logiciel interface alimentation thermopompe Jandy JRT	Révision logiciel AquaLink® RS
3.0 ou plus récent	N ou plus récent

REMARQUE : Seule une puce de programme de révision « N » ou supérieure dans le système RS prendra en charge l'interface de thermopompe Jandy JRT.

2. Couper l'alimentation à la fois de la thermopompe et de la commande RS et ouvrir le boîtier du RS Power Center puis retirer le panneau mort avant.

- Retirer les deux (2) vis qui maintiennent le cadre en place et retourner le cadre pour voir le circuit imprimé à l'arrière.
 - Localiser la puce programmée sur la carte Power Center. Au centre de la puce se trouve la lettre de révision. Si la lettre de révision est « **N** » ou plus élevée passer à l'étape 5. Si le niveau de révision est « **MMM** » ou plus bas remplacer le panneau ou connecter comme illustré à la *Section 4, Branchements électriques*.
 - Utiliser le fil de calibre 22 à 4 fils conducteurs (Zodiac® Pièce n° 4278) entre la thermopompe et le contrôle RS et faire correspondre l'ordre de couleur du fil.
 - Les fils venant de la thermopompe Jandy JRT peuvent être « doublés » sur la borne rouge avec les quatre (4) fils du contrôleur intérieur. Assurez-vous que les conducteurs ne sont pas pincés ou endommagés.
- REMARQUE :** Si vous devez installer plus de deux (2) fils sur chaque borne, commander Jandy Multiplex PCB Kit, qui comprend le tableau Multiplex Board (Jandy Pièce n° 6584). Ne jamais mettre plus de deux (2) fils dans chacune des broches de la barre à bornes.
- Vérifier tout le câblage, puis mettre sous tension à la fois la thermopompe et le système de contrôle RS. Le fonctionnement peut être vérifié en mode Service ou Auto. Voir le manuel du système de contrôle RS pour les instructions d'utilisation.

Lorsque la thermopompe Jandy JRT est alimentée pour la première fois et qu'une commande RS est connectée à la thermopompe, l'écran de la thermopompe affichera « **JANDY REMOTE ONLINE PUSH MENU TO DISABLE** » (TÉLÉCOMMANDE EN LIGNE JANDY, POUSSER MENU POUR DÉSACTIVER). Lorsque la thermopompe JRT est en ligne avec la commande RS, toutes les fonctionnalités de la commande de la thermopompe sont désactivées. Les fonctions de la thermopompe ne peuvent être commandées que sur l'unité RS.

Pour utiliser temporairement les commandes de la thermopompe, appuyer sur le bouton **MENU**. Le message « **JANDY REMOTE ONLINE PUSH MENU TO DISABLE** » disparaîtra de l'affichage de la thermopompe. Toutes les fonctionnalités ont maintenant été renvoyées au contrôle de la thermopompe. Dans ce mode, l'unité RS ne contrôle plus la thermopompe.

Pour rétablir la fonctionnalité sur l'unité RS, mettre la thermopompe sous tension (éteindre puis rallumer) ou appuyer sur le bouton **MENU** pendant 5 secondes pour accéder au mode de configuration utilisateur, puis activer la télécommande Jandy.

REMARQUE : Si plus de deux (2) articles sont connectés au centre d'alimentation RS rouge, un connecteur à 4 broches, un PCB multiplexe est requis.

Connexion à une interface utilisateur secondaire

- Couper l'alimentation à la thermopompe.
- Retirer les trois (3) vis qui fixent le panneau avant à la thermopompe et le retirer. Se reporter à la *Figure 10*.
- Retirer la vis sur le côté droit du boîtier de commande.
- Ouvrir le boîtier de commande.
- Faire passer quatre (4) fils de cuivre pleins de 22 AWG dans la membrane souple basse tension située sur le côté inférieur gauche de la thermopompe. Les fils peuvent mesurer jusqu'à 300 pieds (91,4 m) de longueur.
- Connecter les fils à la borne 4 positions sur le côté inférieur gauche de la carte de circuit imprimé d'interface d'alimentation, étiquetée « User Interface1 ». Se reporter à la *Figure 8*. Les fils seront aussi ajoutés au câblage actuel de l'interface utilisateur installée sur la thermopompe.
- S'assurer que le câblage est régulier lors de la connexion des fils à la deuxième interface utilisateur. Par exemple, BK va à BK, O va à O, ainsi de suite.
- Fermer le boîtier de commande et le fixer avec la vis fournie.
- Réinstaller le panneau d'accès de service et le fixer avec les vis fournies.

Section 5. Fonctionnement

▲ MISE EN GARDE

Ne pas utiliser cette thermopompe si une de ses pièces a été immergée dans l'eau. Appeler immédiatement un technicien d'entretien qualifié pour inspecter l'appareil de chauffage et pour remplacer toute pièce du système de contrôle ayant été immergé dans l'eau.

Ne pas laisser d'objets sur le dessus de la thermopompe. Bloquer la circulation de l'air pourrait endommager l'appareil et annuler la garantie.

5.1 Précautions pour la première mise en marche

S'assurer qu'il y a de l'eau dans la piscine et que le niveau de la surface est au-dessus de l'écumoire ou d'une autre entrée du système de filtration de la piscine.

Avec toute nouvelle installation de piscine ou de spa, faire fonctionner la pompe de filtration avec la thermopompe suffisamment longtemps pour nettoyer complètement l'eau. Cela éliminera tout résidu d'installation dans l'eau.

Nettoyer le filtre à la fin de cette opération avant de démarrer la thermopompe. Lors de l'augmentation de la température d'une piscine froide, programmer l'horloge pour faire fonctionner la pompe en continu.

Cela permet au système de filtration et à la thermopompe de fonctionner en continu jusqu'à ce que l'eau atteigne la température réglée sur le contrôle de température. Lorsque cela se produit, la thermopompe s'arrête automatiquement, mais la pompe de filtration continue de fonctionner.

5.2 Utilisation du contrôleur

La nouvelle thermopompe Jandy JRT est contrôlée par un contrôleur avancé basé sur un microprocesseur qui fournit une interface sophistiquée, mais simple pour faire fonctionner la thermopompe pour une efficacité et un plaisir maximum de la piscine. Pour localiser les boutons de commande, voir *Figure 14*.

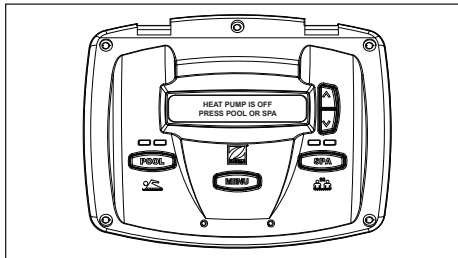


Figure 14. Panneau de commande principal

Mode Arrêt

Lorsque le panneau de commande est éteint, l'afficheur indique **HEAT PUMP IS OFF PRESS POOL OR SPA** (THERMOPOMPE ÉTEINTE, Appuyer sur Piscine ou Spa).

Mode Piscine - (chauffage normal)

Pour activer le mode piscine, appuyer sur **POOL**. Le témoin DEL associé s'allumera en vert et l'appareil affichera **SET:XXX°**.

REMARQUE : XXX représente le réglage de la température actuel sur la commande. Le réglage par défaut de la température de la piscine est 80 °F (26 °C).

Vous pouvez modifier la température en appuyant sur les flèches **directionnelles**. Appuyer de manière répétée sur les flèches **directionnelles** jusqu'au point de consigne souhaité pour la température. Après 5 secondes d'inactivité, le nouveau point de consigne est enregistré dans la mémoire.

Lorsque la température de l'eau chute d'un degré sous le réglage de la température et après un délai de 5 minutes, la commande démarrera la thermopompe et le DEL associé s'allumera en ROUGE.

Mode piscine - (Maintien de la chaleur en option)

Si connecté à un AquaLink, le mode Maintien de la chaleur permet à la thermopompe de surveiller la température de l'eau 24 heures sur 24 en allumant la pompe de la piscine et en prélevant la température de l'eau.

REMARQUE : Cette fonction n'est disponible que si est connecté à un AquaLink.

Lorsque la température de l'eau descend en dessous du point de consigne de température programmé, la commande démarre la thermopompe.

Pour utiliser en mode piscine avec la fonction Maintien de la chaleur, appuyer sur **POOL**, puis sur **MENU**, appuyer sur la flèche directionnelle jusqu'à afficher **MAINTAIN POOL HEAT** (MAINTENIR LA CHALEUR DE LA PISCINE), appuyer sur le bouton **MENU**.

Le témoin DEL associé s'allumera en vert et l'appareil affichera **SET:XXX°**. Modifier le point de consigne de la température en appuyant sur les flèches **directionnelles** jusqu'à ce que le point de consigne souhaité s'affiche. Après 5 secondes d'inactivité, le nouveau point de consigne est enregistré dans la mémoire.

Mode Spa - (chaleur normale)

Pour activer le mode spa, appuyer sur **SPA**. Le témoin DEL associé s'allumera en vert et l'appareil affichera **SET:XXX°**.

REMARQUE : XXX représente le réglage de la température actuel sur la commande. Le réglage par défaut de la température du spa est 102 °F (38 °C).

Vous pouvez modifier la température en appuyant sur les flèches **directionnelles**. Appuyer de manière répétée sur les flèches **directionnelles** jusqu'au point de consigne souhaité pour la température. Après 5 secondes d'inactivité, le nouveau point de consigne est enregistré dans la mémoire. Lorsque la température de l'eau chute d'un degré sous le réglage de la température et après un délai de 5 minutes, la commande démarrera la thermopompe et le DEL associé s'allumera en ROUGE.

Mode spa Mode - (Maintien de la chaleur facultatif)

Si connecté à un AquaLink, le mode Maintien de la chaleur permet à la thermopompe de surveiller la température de l'eau 24 heures sur 24 en allumant la pompe du spa et en échantillonnant la température de l'eau.

REMARQUE : Cette fonction n'est disponible que si connecté à un AquaLink.

Pour utiliser en mode spa avec la fonction Maintien de la chaleur, appuyer sur **SPA**, puis sur **MENU**, appuyer la flèche directionnelle jusqu'à ce que **MAINTAIN SPA HEAT** (MAINTIEN DE LA CHALEUR DU SPA) soit affiché, appuyer sur le bouton **MENU** button. Le témoin DEL associé s'allumera en vers et l'appareil

affichera **SET:XXX°**. Modifier le point de consigne de la température en appuyant sur les flèches **directionnelles** jusqu'à ce que le point de consigne souhaité s'affiche. Après 5 secondes d'inactivité, le nouveau point de consigne est enregistré dans la mémoire.

5.3 Fonctionnalité de refroidisseur

Mode piscine - (refroidissement normal)

Pour activer le mode piscine, appuyer sur **POOL**. Le témoin DEL associé s'allumera en vert et l'appareil affichera **SET:XXX°**.

REMARQUE : XXX représente le réglage de la température actuel sur la commande. Le réglage par défaut de la température de la piscine est 80 °F (26 °C).

Appuyer sur le bouton **MENU**. Appuyer sur les flèches directionnelles or jusqu'à **POOL CHILL** (REFROIDISSEMENT DE PISCINE), appuyer sur le bouton **MENU**.

Vous pouvez modifier la température en appuyant sur les flèches **directionnelles**. Appuyer de manière répétée sur les flèches **directionnelles** jusqu'au point de consigne souhaité pour la température. Après 5 secondes d'inactivité, le nouveau point de consigne est enregistré dans la mémoire. Lorsque la température de l'eau s'élève d'un degré au-dessus du réglage de température et après un délai de 5 minutes, la commande démarrera la thermopompe et la DEL associée s'allumera en VERT.

Mode piscine - (Maintien du refroidissement en option)

S'il est connecté à un AquaLink, le mode d'option Maintien du refroidissement permet à l'appareil de surveiller la température de l'eau 24 heures sur 24 en allumant la pompe de la piscine et en échantillonnant la température de l'eau.

REMARQUE : Cette fonction ne fonctionne que lorsqu'elle est connectée à un AquaLink.

Lorsque la température de l'eau s'élève au-dessus du réglage de température souhaité, la commande allumera alors l'appareil et la DEL verte associée s'allumera.

Pour utiliser le mode piscine avec la fonction Maintien du refroidissement, appuyer sur **POOL**, puis sur **MENU**, ensuite la flèche **directionnelle** jusqu'à afficher **MAINTAIN POOL CHILL**, appuyer sur le bouton **MENU**. Le témoin DEL associé s'allumera en vert et l'appareil affichera **SET:XXX°**. Modifier le point de consigne de la température en appuyant sur les flèches **directionnelles** jusqu'à ce que le point de consigne souhaité s'affiche. Après 5 secondes d'inactivité, le nouveau point de consigne est enregistré dans la mémoire.

Mode spa - (Maintien du refroidissement en option)

Si est connecté à un AquaLink, le mode Maintien du refroidissement permet à la thermopompe de surveiller la température de l'eau 24 heures sur 24 en allumant la pompe du spa et en échantillonnant la température de l'eau.

REMARQUE : Cette fonction n'est disponible que si connecté à un AquaLink.

Lorsque la température de l'eau s'élève au-dessus du point de consigne programmé pour la température, la commande démarrera la thermopompe.

Pour utiliser en mode spa avec la fonction Maintien du refroidissement, appuyer sur **SPA**, puis sur **MENU**, appuyer sur la flèche **directionnelle** jusqu'à afficher **MAINTAIN SPA CHILL**, appuyer sur le bouton **MENU**. Le témoin DEL associé s'allumera en vert et l'appareil affichera **SET:XXX°**. Modifier le point de consigne de la température en appuyant sur les flèches **directionnelles** jusqu'au point de consigne souhaité. Après 5 secondes d'inactivité, le nouveau point de consigne est enregistré dans la mémoire.

5.4 Options de configuration de l'utilisateur

Les options de configuration de l'utilisateur permet à ce dernier de choisir les langues, l'échelle de température, la minuterie du spa et les options d'éclairage.

Configuration de la langue

1. S'assurer que la commande est en mode **OFF** (arrêt).
2. Pour passer au mode configuration de l'utilisateur, appuyer et tenir le bouton **MENU** pendant 5 secondes.

REMARQUE : L'affichage revient à **OFF** (arrêt) une minute après la dernière pression sur une touche.

3. Pour choisir la langue, utiliser les flèches **directionnelles** pour afficher **SELECT USER SETUP LANGUAGE**. Appuyer sur le bouton **MENU**. L'option **SELECT LANGUAGE ENGLISH** SÉLECTIONNER L'ANGLAIS (langue par défaut) apparaît, utiliser les flèches **directionnelles** pour défiler parmi les options de langue. Lorsque la langue souhaitée apparaît, appuyer sur le bouton **MENU** pour sélectionner la langue. Appuyer sur **POOL** ou **SPA** pour quitter le mode de configuration de l'utilisateur.

Configuration de l'échelle de température

1. S'assurer que la commande est en mode **OFF** (arrêt).
2. Pour passer au mode configuration de l'utilisateur, appuyer et tenir le bouton **MENU** pendant 5 secondes.

3. Pour sélectionner l'échelle de température, utiliser les flèches **directionnelles** pour défiler jusqu'à **SELECT USER SETUP TEMPERATURE SCALE** (SÉLECTIONNER L'ÉCHELLE DE TEMPÉRATURE DE L'UTILISATEUR). Appuyer sur le bouton **MENU**. Le réglage **SELECT TEMP SCALE °F** (SÉLECTIONNER L'ÉCHELLE DE TEMPÉRATURE °F), l'échelle de température par défaut apparaît, utiliser les flèches **directionnelles** pour défiler parmi les options d'échelle. Lorsque l'échelle de température souhaitée apparaît, appuyer sur le bouton **MENU** pour la sélectionner. Appuyer sur **POOL** ou **SPA** pour quitter le mode de configuration de l'utilisateur.
3. Pour sélectionner la configuration de l'éclairage de l'afficheur, utiliser les flèches **directionnelles** pour défiler jusqu'à l'affichage **SELECT USER SETUP DISPLAY LIGHT** (SÉLECTIONNER L'ÉCLAIRAGE DE L'AFFICHEUR). Appuyer sur le bouton **MENU**. La fonction **SELECT DISPLAY LIGHT 2 MIN TIMEOUT** (SÉLECTIONNER LA TEMPORISATION DE L'ÉCLAIRAGE) (réglage par défaut de l'éclairage) s'affiche. Cette option permet d'éteindre l'éclairage de l'afficheur après 2 minutes. Appuyer sur le bouton **MENU** pour sélectionner. Utiliser les flèches **directionnelles** pour défiler jusqu'à **SELECT DISPLAY LIGHT LIGHT OFF** (SÉLECTIONNER AFFICHER ÉCLAIRAGE, LUMIÈRE ÉTEINTE), cette option permet d'éteindre l'éclairage de l'affichage, appuyer sur **MENU** pour sélectionner. Utiliser les flèches **directionnelles** pour défiler jusqu'à l'affichage **SELECT DISPLAY LIGHT LIGHT ON** (SÉLECTIONNER L'AFFICHAGE ÉCLAIRAGE, LUMIÈRE ALLUMÉE), cette option permet d'allumer l'éclairage de l'affichage, appuyer sur **MENU** pour sélectionner. Appuyer sur **POOL** ou **SPA** pour quitter le mode de configuration de l'utilisateur.

Configuration de la minuterie du spa

1. S'assurer que la commande est en mode **OFF** (arrêt).
2. Pour passer au mode configuration de l'utilisateur, appuyer et tenir le bouton **MENU** pendant 5 secondes.
3. Pour sélectionner la minuterie du spa, utiliser les flèches **directionnelles** pour défiler jusqu'à l'affichage **SELECT USER SETUP SPA TIMER** (SÉLECTIONNER LA CONFIGURATION POUR MINUTERIE DU SPA). Appuyer sur le bouton **MENU**. **SELECT SPA TIMER CONTINUOUS** (SÉLECTIONNER MINUTERIE DU SPA CONTINUE) (réglage par défaut de la minuterie du spa) s'affiche. Pour activer et désactiver indéfiniment le spa, appuyer sur le bouton **MENU** pour le sélectionner.

Pour sélectionner la durée de fonctionnement du spa, utiliser les flèches **directionnelles** pour défiler jusqu'à l'affichage **SELECT SPA TIMER TIME SELECTION** (SÉLECTION DE LA MINUTERIE DU SPA). Appuyer sur le bouton **MENU** pour sélectionner. L'affichage **SELECT SPA TIME 01:00 HRS** (SÉLECTIONNER DURÉE POUR SPA 1 H) (réglage par défaut de la durée) s'affiche. Utiliser les flèches **directionnelles** pour sélectionner la durée de fonctionnement du spa (entre 15 minutes et 23 heures par incréments de 15 minutes). Appuyer sur le bouton **MENU** pour sélectionner la durée de fonctionnement du spa. Appuyer sur **POOL** ou **SPA** pour quitter le mode de configuration de l'utilisateur.

Configuration de l'éclairage de l'afficheur

1. S'assurer que la commande est en mode **OFF** (arrêt).
2. Pour passer au mode configuration de l'utilisateur, appuyer et tenir le bouton **MENU** pendant 5 secondes.

5.5 Réglage du point de verrouillage

S'assurer que la commande est en mode **ON** (ACTIVÉ) (**POOL** ou **SPA**), appuyer et tenir les flèches **directionnelles** pendant 5 secondes. Le point de réglage sera verrouillé et la commande fonctionnera dans le mode programmé dans le Réglage du point de verrouillage. Si une modification du réglage est tentée alors que la commande est en mode Set Point Lockout (Réglage du point de verrouillage), la commande affichera **SET POINT LOCKED** (POINT DE RÉGLAGE VERROUILLÉ). Pour déverrouiller le point de verrouillage, appuyer et tenir les flèches **directionnelles** pendant 5 secondes. L'appareil affichera **SET POINT UNLOCKED** (POINT DE RÉGLAGE DÉVERROUILLÉ).

5.6 Ajustement de la pression du manostat d'eau

▲ MISE EN GARDE

Le manostat d'eau doit être réglé pour éteindre l'appareil de chauffage lorsque la pompe est hors tension. Régler le commutateur pour qu'il éteigne à un débit trop bas peut endommager l'appareil. Régler le commutateur pour qu'il éteigne l'appareil de chauffage, non pour l'allumer.

Le manostat est pré-réglé en usine pour une activation à 3 lb-po² (21 kPa). Il s'agit du réglage minimum pour le manostat d'eau et fonctionne pour toutes les installations de base. Ajuster le manostat d'eau uniquement si la thermopompe ne fonctionne pas lorsque **le débit approprié est appliqué à l'appareil** ou si la thermopompe ne s'arrête pas lorsque la pompe de filtration est éteinte. Occasionnellement, des configurations de plomberie inhabituelles ou des restrictions nécessaires dans la plomberie peuvent causer des problèmes de détection de pression. Dans ces rares situations, la configuration du système de plomberie peut nécessiter un réglage du manostat d'eau.

Un réglage du manostat peut être nécessaire si une partie quelconque de la tuyauterie du système de filtration est à 3 pieds (1 m) ou plus au-dessus du haut de la chemise de la thermopompe.

Ne pas régler le manostat si la thermopompe est installée à plus de 5 pieds (1,5 m) au-dessus ou 10 pieds (3 m) sous la surface de la piscine. Consulter le concessionnaire local Zodiac® pour des recommandations.

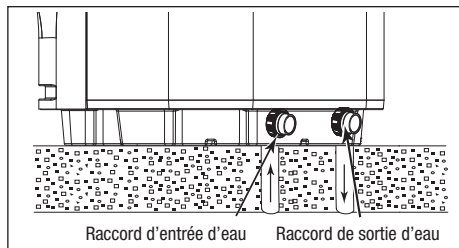


Figure 15. Hiverner la thermopompe JRT

Sur certaines installations, la tuyauterie de la thermopompe à la piscine est très courte. La contre-pression pourrait être trop faible pour déclencher le manostat. Si cela se produit, il peut être nécessaire d'installer un raccord directionnel ou des coudes à l'endroit où la conduite de retour pénètre dans la piscine. Cela augmentera suffisamment la contre-pression pour que la thermopompe fonctionne correctement. Si cette configuration est nécessaire, s'assurer de vérifier que le débit du système est supérieur à l'exigence minimale de 30 gal/m (114 l/min) après l'installation du raccord de direction ou du coude.

S'assurer que le filtre de la piscine est propre avant d'effectuer tout réglage du manostat : Un filtre sale limitera le débit d'eau et le manostat ne pourra pas être réglé correctement.

Pour régler le manostat :

1. S'assurer que toutes les vannes du système sont réglées pour permettre à l'eau de circuler dans la thermopompe. Démarrer la pompe de filtration.
2. Régler la commande de la thermopompe pour demander de la chaleur. Réglez la commande de la thermopompe sur le mode POOL HEAT.
3. Si la commande de la thermopompe « PAS DE DÉBIT », alors le débit dans le système peut être inférieur au débit minimum de 30 gal/m (114 l/min) nécessaire au fonctionnement sécuritaire de la thermopompe. Rechercher et corriger tout problème de débit avant de régler le manostat d'eau.
4. Le pressostat d'eau est situé sur le tuyau d'arrivée d'eau. Retirez le couvercle bleu.
5. Réinstallez le couvercle bleu.
6. Après avoir confirmé que le débit est d'au moins 30 gal/m (114 l/min), tourner lentement la molette du manostat d'eau dans le sens **antihoraire** jusqu'à ce que l'indicateur « NO FLOW » disparaisse de l'écran de contrôle. Ne pas oublier qu'il y a un délai avant que le compresseur de la thermopompe ne démarre.
7. Une fois la thermopompe en marche, éteindre la pompe de filtration. La thermopompe doit s'arrêter immédiatement.
8. Si la thermopompe continue de fonctionner lorsque la pompe de filtration est éteinte, tournez la molette du manostat d'eau dans le sens **horaire** jusqu'à ce que « NO FLOW » s'affiche sur la commande et que la thermopompe s'arrête.
9. Vérifier le réglage du manostat d'eau en démarrant et en arrêtant la pompe de filtration et en vérifiant l'affichage de contrôle et le fonctionnement du réchauffeur entre chaque changement de débit.
10. Si le manostat d'eau ne peut pas être réglé pour s'adapter aux conditions énumérées ci-dessus, un commutateur de débit externe doit être ajouté au système de plomberie pour garantir que la thermopompe ne fonctionnera pas sans un débit approprié à travers l'échangeur de chaleur.

5.7 Dégivrage au gaz chaud

Dans certaines conditions de température et d'humidité, du givre peut se former à la surface du Serpentin de la Pompe à chaleur. Cette couche de givre va perturber le fonctionnement de la pompe à chaleur en faisant travailler l'unité plus fort et, par conséquent, de manière inefficace.

La pompe à chaleur JRT a un cycle appelé cycle de dégivrage, qui élimine le givre du serpentín extérieur : l'unité dégivrera régulièrement lorsque des conditions de givre se produisent.

Deux types de modes de Dégivrage sont disponibles dans les unités JRT :

Gaz chaud (réglage d'usine par défaut)

Le processus de dégivrage par gaz chaud utilise la vapeur de réfrigérant à haute température d'origine naturelle du côté de refoulement du compresseur pour réchauffer le serpentín de l'évaporateur et faire fondre la glace accumulée dessus.

Dégivrage par l'air

Dans le cycle de dégivrage par l'air, la pompe à chaleur fonctionne automatiquement en sens inverse, pendant un instant, dans le cycle de refroidissement. Cette action réchauffe temporairement le serpentín extérieur et fait fondre le givre du serpentín.

Pour passer du mode gaz chaud (définie par défaut en usine) au mode dégivrage par l'air :

1. Assurez-vous que la commande est en mode **OFF**.
2. Pour accéder au mode de Configuration du Service, appuyez et maintenez enfoncés les boutons **MENU**, **POOL** et **SPA** pendant 5 secondes.
3. Appuyez sur le bouton Up ou Down pour afficher **DEFROST** et appuyez sur **MENU** pour accéder au sous-menu.
4. Utilisez le bouton Up ou Down pour faire défiler les options de dégivrage (**GAZ CHAUD ET DÉGIVRAGE PAR L'AIR**).
5. Appuyez sur le bouton **MENU** pour sélectionner l'option souhaitée.
6. Appuyez sur **POOL** ou **SPA** pour quitter le mode de Configuration du Service.

Test	Niveau recommandé
Sans chlore ou	1,0 à 3,0 ppm
Brome	2,0 à 4,0 ppm
pH	7,2 à 7,8 (les plages idéales se situent entre 7,4 et 7,6)
Alcalinité totale (AT)	80 à 120 ppm
Dureté calcique (DC)	175 à 400 ppm
Acide cyanurique	30 à 50 ppm
Total des solides dissous (TSD)	1 000 à 2 000 ppm (à l'exclusion du NaCl dissous du générateur de chlore au sel)
* Niveaux de concentration tirés de « Basic Pool and Spa Technology » publié par l'APSP (Association of Pool and Spa Professionals).	

Table 3. Plages optimales de chimie de l'eau

Section 6. Entretien général

6.1 Chimie de l'eau

Des équilibres chimiques appropriés sont nécessaires pour des conditions de baignade hygiéniques ainsi que pour assurer la longue durée de vie de la thermopompe. S'assurer de maintenir les niveaux de concentration de produits chimiques et minéraux dans les valeurs indiquées dans le *Table 3*.

REMARQUE : Pour les spas, il est également nécessaire d'effectuer des changements d'eau en plus du traitement chimique. Il est recommandé de changer l'eau du spa tous les 60 jours pour une utilisation légère et tous les 30 jours si l'utilisation est intensive.

6.2 Préparation pour l'hiver

▲ MISE EN GARDE

Le défaut d'effectuer l'hivernage pourrait endommager la thermopompe et annuler la garantie.

Dans les zones où des températures glaciales surviennent, il faut protéger la pompe, le filtre et la thermopompe des éléments. Effectuer les étapes suivantes pour vidanger complètement la thermopompe (voir *Figure 15*).

1. Couper l'alimentation électrique de la thermopompe au panneau principal.
2. Couper l'alimentation en eau de la thermopompe.
3. Débrancher les raccords d'entrée et de sortie d'eau.

- Couvrir uniquement le haut de la thermopompe pour éviter que des débris ne tombent dans l'appareil. Ne pas envelopper les côtés de la thermopompe avec du plastique ou un autre matériau qui retiendra la chaleur ou l'humidité à l'intérieur l'unité.

6.3 Mise en service au printemps

Si la thermopompe a été hivernée, effectuer les étapes suivantes lors du démarrage du système au printemps :

- Découvrir la thermopompe et inspecter le dessus et les côtés pour tout débris ou problème structurel.
- Raccorder les raccords d'entrée et de sortie d'eau situés sur le panneau avant inférieur de la thermopompe.
- Allumer la pompe de filtration pour fournir de l'eau à la thermopompe. Faire circuler l'eau dans le système assez longtemps pour faire passer toute l'eau de la piscine à travers le filtre. Vérifier l'étanchéité dans et autour de la thermopompe.
- Vérifier la chimie de la piscine et équilibrer si nécessaire.
- Couper l'alimentation électrique à la thermopompe depuis la boîte de jonction principale.

6.4 Inspection et entretien

Les thermopompes Jandy ont été conçues et construites pour offrir une longue durée lorsqu'elles sont correctement installées et utilisées sous des conditions normales. Des inspections périodiques sont importantes pour que la thermopompe fonctionne de manière sûre et efficace au fil des ans.

Inspection du propriétaire

▲ MISE EN GARDE

Ne pas utiliser cette thermopompe si une de ses pièces a été immergée dans l'eau. Appeler immédiatement un technicien d'entretien qualifié pour inspecter l'appareil de chauffage et pour remplacer toute pièce du système de contrôle ayant été immergé dans l'eau.

Jandy recommande d'inspecter la thermopompe régulièrement et surtout après des conditions météorologiques anormales. Les directives de base suivantes sont suggérées pour l'inspection :

- Garder le dessus et les zones environnantes de la thermopompe exempts de tout débris.
- Garder toutes les plantes et arbustes taillés et éloignés de la thermopompe.

La thermopompe produira de la condensation (eau) pendant son fonctionnement. La base de la thermopompe est conçue pour permettre à la condensation de s'échapper par l'orifice de vidange

inférieur lorsque l'appareil est en marche. La condensation augmentera à mesure que le niveau d'humidité de l'air extérieur augmente. Vérifier les points suivants à intervalles réguliers pour assurer une bonne évacuation des condensats :

- Inspecter visuellement et nettoyer les orifices de vidange inférieurs de tout débris pouvant obstruer les orifices.
- S'assurer que l'eau de condensation ne s'accumule pas à l'intérieur de la thermopompe.
- S'assurer que le ruissellement de condensat est correctement dirigé loin du tampon de l'équipement pour l'empêcher de saper le tampon.

En fonctionnement normal, la thermopompe produit 3 à 5 gallons de condensat par heure. Si l'évacuation des condensats dépasse cette plage pendant le fonctionnement ou si l'eau continue de s'écouler de la base lorsque la thermopompe ne fonctionne pas pendant plus d'une heure, une fuite dans la plomberie interne peut s'être produite. Appeler un technicien qualifié en thermopompe pour enquêter sur le problème.

Garder la zone d'évacuation du flux d'air supérieure et la zone d'admission du flux d'air exemptes de débris afin que le flux d'air à travers la thermopompe ne soit pas limité. L'air de refoulement plus froid par le haut ne doit pas s'accumuler et être aspiré dans les serpentins d'admission d'air latéraux. Éloigner toutes les plantes et arbustes de la thermopompe.

S'assurer que l'avant de l'unité est accessible pour un entretien futur.

Empêcher les têtes d'arrosage de pelouse de pulvériser sur la thermopompe pour éviter la corrosion et les dommages. Utiliser un déflecteur si nécessaire.

Si l'appareil est installé sous une pente de toit très prononcée ou sous un toit sans gouttière, une gouttière ou un inverseur doit être installé pour empêcher un excès d'eau de se déverser dans l'appareil.

Inspection professionnelle

Des inspections effectuées au moins une fois par an par un technicien qualifié sont nécessaires pour maintenir le fonctionnement sécuritaire et efficace de votre thermopompe. Les contrôles de sécurité de base suivants doivent être effectués.

1. Vérifier s'il y a des fils desserrés ou cassés et des connexions de bornes.
2. Vérifier le fonctionnement du manostat ou du débitmètre. Éteindre la thermopompe. Débrancher l'alimentation de l'horloge de la pompe ou mettre l'horloge de la pompe en position OFF (arrêt). Rallumer la thermopompe. La thermopompe ne doit pas s'allumer.
3. Inspecter les commandes électriques, en particulier les suivantes :
 - Limites haute et basse
 - Manostat ou débitmètre
 - Contrôle de la température
4. Inspecter le serpentin de l'évaporateur pour tout blocage et le nettoyer si nécessaire.
5. Vérifier qu'il n'y a pas de toiles d'araignées ou de débris dans le drain de condensat ; nettoyer si nécessaire.
6. Effectuer un cycle de fonctionnement normal et vérifier que l'appareil fonctionne correctement.

Section 7. Entretien professionnel et réparation

7.1 Conception de la thermopompe

La thermopompe Jandy est l'un des moyens les plus efficaces pour chauffer une piscine ou un spa. La thermopompe transfère la chaleur de l'air extérieur à l'eau de la piscine ou du spa au moyen d'un échangeur de chaleur interne.

Lorsque le ventilateur est allumé, de l'air chaud est aspiré à travers l'évaporateur chargé de réfrigérant, transformant le réfrigérant liquide froid en gaz chaud. Le gaz traverse ensuite le compresseur où il est comprimé, ce qui entraîne une température beaucoup plus élevée.

Le gaz chaud pénètre dans l'échangeur de chaleur où l'eau extrait la chaleur. La pompe aspire l'eau froide de la piscine, qui à son tour reconvertit le gaz chaud en réfrigérant liquide et recommence le cycle.

La thermopompe JRT utilise un réfrigérant appelé R-410A. C'est un réfrigérant n'appauvrissant pas la couche d'ozone qui est accepté par l'EPA.

L'EPA exige une certification pour acheter ou utiliser le R-410A. Il est recommandé que le personnel d'entretien soit formé aux procédures d'installation, d'entretien, de brasage et de maintenance.

REMARQUE : La puissance calorifique et l'efficacité maximales d'une thermopompe dépendent de la qualité et des performances des principaux composants utilisés. Les conditions environnementales (par exemple, la température de l'air, l'humidité, la température de l'eau et le vent) sont tout aussi importantes.

7.2 Composants et fonctionnement de la thermopompe

Évaporateur : Lorsque l'air passe à travers l'évaporateur, le réfrigérant dans l'évaporateur absorbe la chaleur de l'air ambiant. Plus l'air ambiant est chaud et plus la surface de l'évaporateur est grande, plus il peut collecter de chaleur.

Ventilateur : Le ventilateur de la thermopompe produit un débit d'air élevé. Un débit d'air adéquat est nécessaire pour déplacer l'air chaud à travers le grand évaporateur.

Compresseur : Le compresseur comprime le gaz réfrigérant à une pression plus élevée, augmentant la température.

Échangeur de chaleur : En tant qu'étape finale du processus de chauffage, l'échangeur de chaleur transfère la chaleur du gaz chaud à l'eau. (Aussi connu sous le nom de condensateur.)

Vanne d'inversion : (Pour les appareils hybrides avec refroidisseur et dégivrage au gaz chaud en option) La vanne d'inversion inverse le débit du réfrigérant, ce qui entraîne le transfert de gaz froid vers l'eau, abaissant ainsi la température.

Section 8. Dépannage

8.1 Dépannage

Le tableau suivant présente les symptômes et les solutions aux problèmes généraux de dépannage de la thermopompe.

Symptôme	Mesure corrective
La thermopompe ne démarre pas, aucun affichage du panneau de commande.	Le disjoncteur ou le fusible peut être déclenché. Réinitialiser le disjoncteur ou vérifier le fusible. Si la thermopompe ne fonctionne toujours pas, appeler le service. Modèles triphasés uniquement - Les phases peuvent être inversées ou il peut y avoir une perte de phase, appeler le service.
La thermopompe ne démarre pas, l'affichage du tableau de commande fonctionne.	La thermopompe peut être en retard de compte à rebours de 5 minutes. S'assurer que le thermostat du tableau de commande demande que le chauffage s'allume (vérifier le réglage sur le thermostat et la lecture de la température). S'assurer que la thermopompe n'est pas en mode refroidissement.
La thermopompe fonctionne, mais ne chauffe pas.	Vérifier que l'air froid souffle par le haut de la thermopompe. Si la thermopompe vient d'être installée ou si l'eau de la piscine a beaucoup refroidi, il est nécessaire de faire fonctionner la thermopompe en continu pendant 24 à 48 heures. Si la thermopompe a fonctionné pendant un certain temps, augmenter la durée de la pompe de circulation ou basculer le panneau de commande sur la fonction Maintien de la chaleur. Si un spa est chauffé, vérifier qu'aucun tuyau d'admission d'air n'est ouvert. Si la thermopompe ne chauffe toujours pas, appeler le service.
La thermopompe ne fonctionne pas et le tableau de commande affiche : FAULT- NO FLOW (Défaut, pas de débit)	Vérifier que la pompe de circulation est en marche et que toutes les vannes nécessaires sont dans les bonnes positions. Vérifier que le filtre et les écumoirs sont propres. Vérifier le niveau d'eau dans la piscine. Éteindre temporairement toutes les fontaines et chutes d'eau qui contournent l'entrée d'eau de la thermopompe. Si cela ne résout pas le problème, appeler le service.
La thermopompe ne fonctionne pas et l'affichage du tableau de commande indique : FAULT- HIGH REF PRESSURE (DÉFAUT- HAUTE PRESSION DE RÉFÉRENCE)	Vérifier que la pompe de circulation est en marche et qu'il n'y a aucune restriction de débit d'eau vers la thermopompe. Si la pompe de filtration est une pompe à deux vitesses ou à vitesse variable, passer à une vitesse plus élevée. S'assurer que toutes les vannes nécessaires sont ouvertes ou dans les bonnes positions pour permettre un bon débit d'eau à la thermopompe. Vérifier que le filtre et les écumoirs sont propres. Vérifier le niveau d'eau dans la piscine. Cette condition peut également apparaître si la thermopompe n'a pas fonctionné pendant une période prolongée. Pour effacer la condition, allumer et éteindre la thermopompe jusqu'à 3 fois. Si cela ne résout pas le problème, appeler le service.
La thermopompe ne fonctionne pas ou des cycles courts et l'affichage du panneau de commande indique : FAULT- LOW REF PRESSURE (DÉFAUT- BASSE PRESSION DE RÉF)	Vérifier que le ventilateur fonctionne et que de l'air sort du haut de la thermopompe, pendant un cycle court. Si la thermopompe ne fonctionne pas du tout, appeler le service.
Fuite d'eau à la thermopompe.	Échangeur de chaleur possible ou fuite de plomberie. Éteindre la thermopompe, puis la pompe de circulation pendant au moins une heure pour voir si la fuite d'eau s'arrête. Si la fuite d'eau s'arrête, une condensation normale se produit. Si la fuite d'eau persiste, après l'arrêt de la thermopompe pendant au moins une heure, appeler le service.

Table 4. Guide de dépannage de la thermopompe

8.2 Diagnostic

Dans le cas où un manostat s'ouvre ou qu'une autre condition de défaut se produit, l'écran LCD affiche le défaut jusqu'à ce que le problème soit résolu. Se référer au tableau suivant pour la liste des conditions de diagnostic.

Diagnostic condition	Description
FAULT- NO FLOW (Défaut, pas de débit)	Débit d'eau faible ou restreint à travers la thermopompe. La vanne de dérivation externe est dans la mauvaise position ou le commutateur de débit d'eau a mal fonctionné. Le contrôleur de débit d'eau s'ouvre créant un défaut et la thermopompe s'arrête.
FAULT- LOW REF PRESSURE (DÉFAUT- BASSE PRESSION DE RÉF)	Lorsque la température ambiante est basse, la pression d'aspiration peut chuter considérablement. Ce défaut provoquera l'ouverture du manostat basse pression et la commande arrêtera le compresseur.
FAULT- HIGH REF PRESSURE (DÉFAUT- HAUTE PRESSION DE RÉFÉRENCE)	Lorsque la pression de refoulement devient trop élevée, le manostat haute pression s'ouvre, provoquant l'arrêt immédiat de la thermopompe. La commande détectera cette condition de défaut et arrêtera le compresseur jusqu'à ce que l'interrupteur se referme.
FAULT- HIGH WATER TEMP (DÉFAUT- TEMPÉRATURE ÉLEVÉE DE L'EAU)	Lorsque la température de l'eau de la PISCINE ou du SPA atteint la température maximale autorisée ou plus, il peut y avoir des risques pour la sécurité de toute personne se trouvant dans l'eau. Le thermostat d'eau lira cette température et la commande arrêtera la thermopompe à moins qu'elle ne soit en mode CHILLER (REFROIDISSEUR). Cette fonction reste également active lorsque le contrôle demande de la chaleur via un thermostat à distance. Cela permet de s'assurer que la température de l'eau n'atteint pas un niveau anormalement élevé en raison d'un éventuel dysfonctionnement du capteur à distance.
FAULT- SHORTED COIL SENSOR (CAPTEUR COURT-CIRCUIT SERPENTIN) -ou- FAULT- OPEN COIL SENSOR (CAPTEUR CIRCUIT OUVERT SERPENTIN)	Dans le cas où le capteur de température du serpentin fonctionne mal ou n'est pas connecté, la commande arrêtera la thermopompe.
FAULT- SHORTED WATER SENSOR (CAPTEUR D'EAU COURT- CIRCUIT) -ou- FAULT- OPEN WATER SENSOR (CAPTEUR D'EAU CIRCUIT OUVERT)	Dans le cas où le capteur de température de l'eau fonctionne mal ou n'est pas connecté, la commande arrêtera la thermopompe.

Table 5. Diagnostic relatif à la thermopompe

Section 9. Pièces de rechange

9.1 Informations de commande

Pour commander ou acheter des pièces des produits pour les thermopompes modèles JRT, prendre contact avec le revendeur ou distributeur Jandy le plus proche. Consulter le site Web de Jandy à l'adresse www.Jandy.com pour connaître le centre de service le plus proche. S'ils ne peuvent vous répondre, prendre contact avec le service de soutien à la clientèle en composant le 800.822.7933.

9.2 Liste des pièces pour thermopompes Jandy JRT

N° de pièce	Description	N° de modèle	Commande référence
1	Grille du ventilateur	Tout	R0933900
2	Moteur du ventilateur	Tout	R0934000
3	Pales du ventilateur	Tout	R0934100
4	Dessus du ventilateur	Tout	R0934200
5	Serpentin de l'évaporateur / Protecteur	2000R, 2500R	R0934300
5	Serpentin de l'évaporateur / Protecteur	3000R, 3000R3	R0934400
6	Compresseur, CP	2000R (CP)	R0934500
6	Compresseur, CP, CAN	2000R (CP)	R0934501
6	Compresseur, CP	2500R (CP)	R0934600
6	Compresseur, CP, CAN	2500R (CP)	R0934601
6	Compresseur, CP	3000R (CP)	R0934700
6	Compresseur, CP, CAN	3000R (CP)	R0934701
6	Compresseur, CP	3000R3 (CP)	R0577600
6	Compresseur, LG	2000R (LG)	R1010000
6	Compresseur, LG, CAN	2000R (LG)	R1010001
6	Compresseur, LG	2500R (LG)	R1010100
6	Compresseur, LG, CAN	2500R (LG)	R1010101
6	Compresseur, LG	3000R (LG)	R1009800
6	Compresseur, LG, CAN	3000R (LG)	R1009801
7	Base	Tout	R0934800
8	Couvercle boîte électrique avec quincaillerie	Tout	R0934900
9	Panneau avant	2000R, 2500R	R0935000
9	Panneau avant	3000R, 3000R3	R0935100
10	Capteur de température	All	7790
11	Déshydrateur de filtre	Tout	R0935200
11	Déshydrateur de filtre (double débit)	Tout	R0935300
12	Détendeur thermique	2000R, 2500R	R0935400
12	Détendeur thermique	3000R, 3000R3	R0935500
13	Capteur de température de l'air	Tout	R0935600
14	Interrupteur de haute pression	Tout	R0935700
15	Interrupteur de basse pression	Tout	R0935800
16	Manostat d'eau	Tout	R0935900
17	Interface utilisateur	Tout	R0591900
18	Couvercle interface	Tout	R0592000
19	Robinet inverseur (en option)	Tout	R0936000

N° de pièce	Description	N° de modèle	Commande référence
20	Transformateur	Tout (Pas 3000R3)	R0936100
21	Carte circuit imprimé interface alimentation	Tout	R3009200
22	Condensateur du ventilateur	Tout	R0936300
23	Condensateur (1 phase)	2000R (CP), 2500R (CP), 3000R (CP), 2000R (LG)	R0936200
23	Condensateur (1 phase)	2500R (LG), 3000R (LG)	R1009900
24	Contacteur (1 phase)	Tout (1 phase)	R0936400
24	Contacteur (3 phase)	Tout (3 phase)	R0576900
25*	Moniteur de phase (3 phase)	Tout (3 phase)	R0577100
26*	Jeu de support d'ancrage	Tout	R0936600
27*	Ensemble raccord universel et contrefort	Tout	R0472700
28*	Vanne Schrader (jeu de 2)	Tout	R0937100
29*	Trousse fixation externe	Tout	R0937300
30*	Couverture de compresseur	Tout	R0951700
31*	Fiche du compresseur	Tout (Pas 3000R3) (CP)	R1009200
31*	Fiche du compresseur	Tout (Pas 3000R3) (LG)	R1009201
* non illustré			

9.3 Vue agrandie des thermopompes Jandy JRT

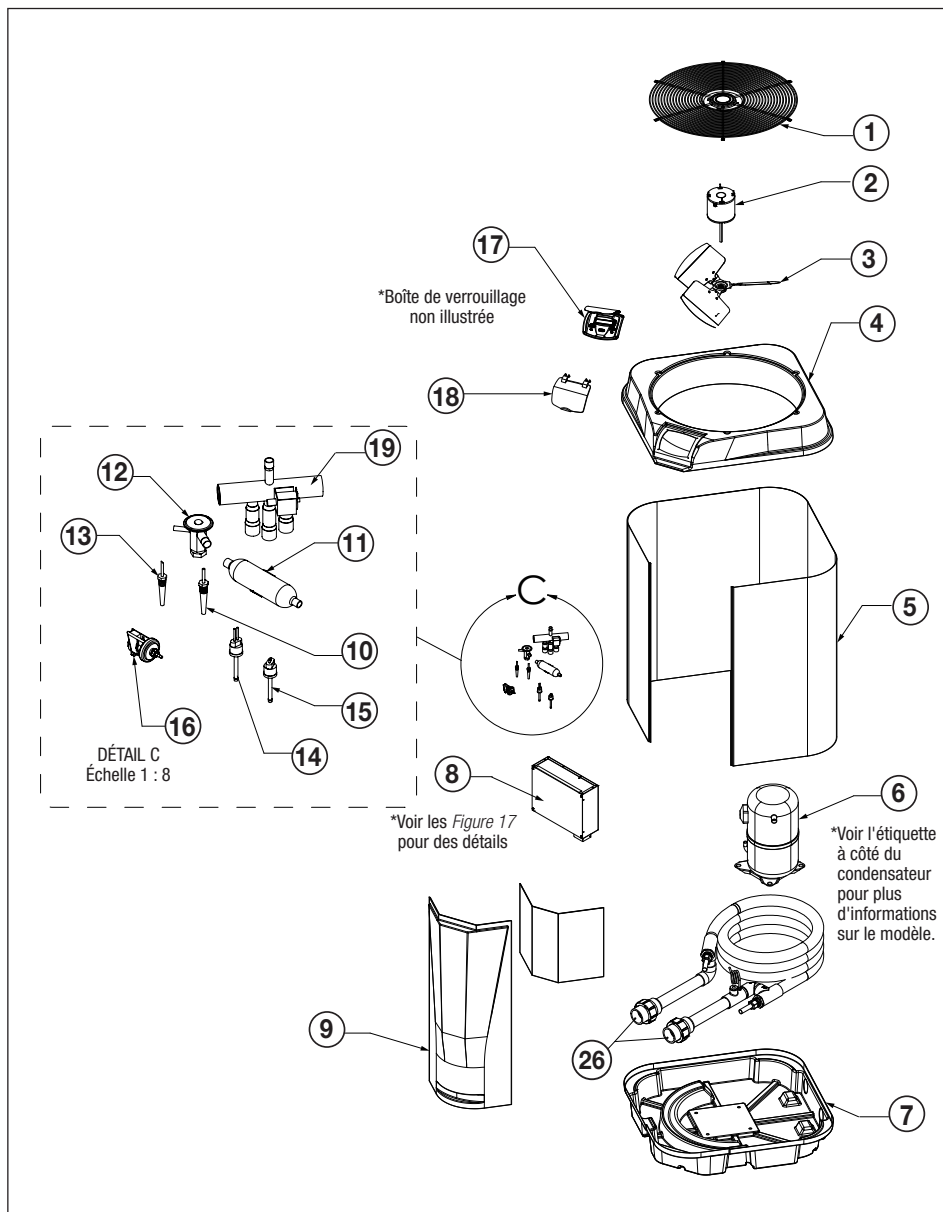


Figure 16. Vue agrandie des thermopompes Jandy JRT (JRT2000R illustrée)

9.4 Boîte électrique monophasée pour Jandy JRT

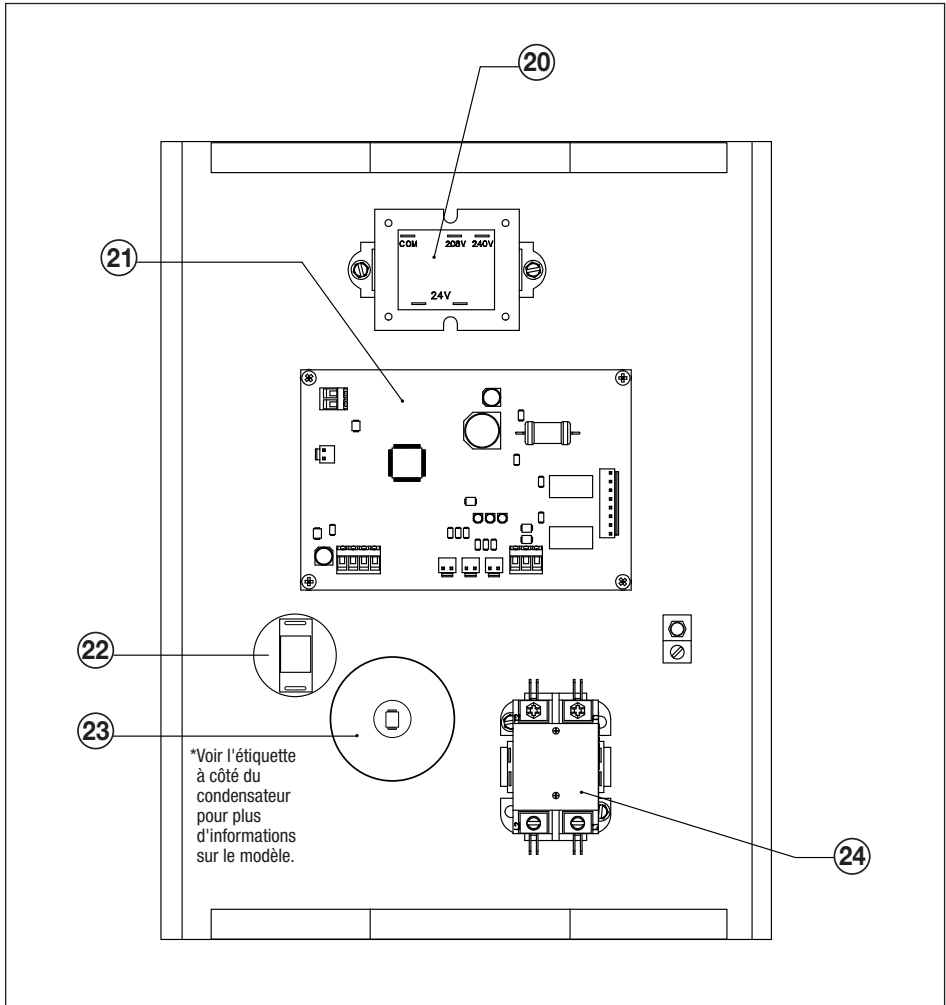


Figure 17. Boîte électrique monophasée pour Jandy JRT

9.5 Boîte électrique JRT triphasée de Jandy

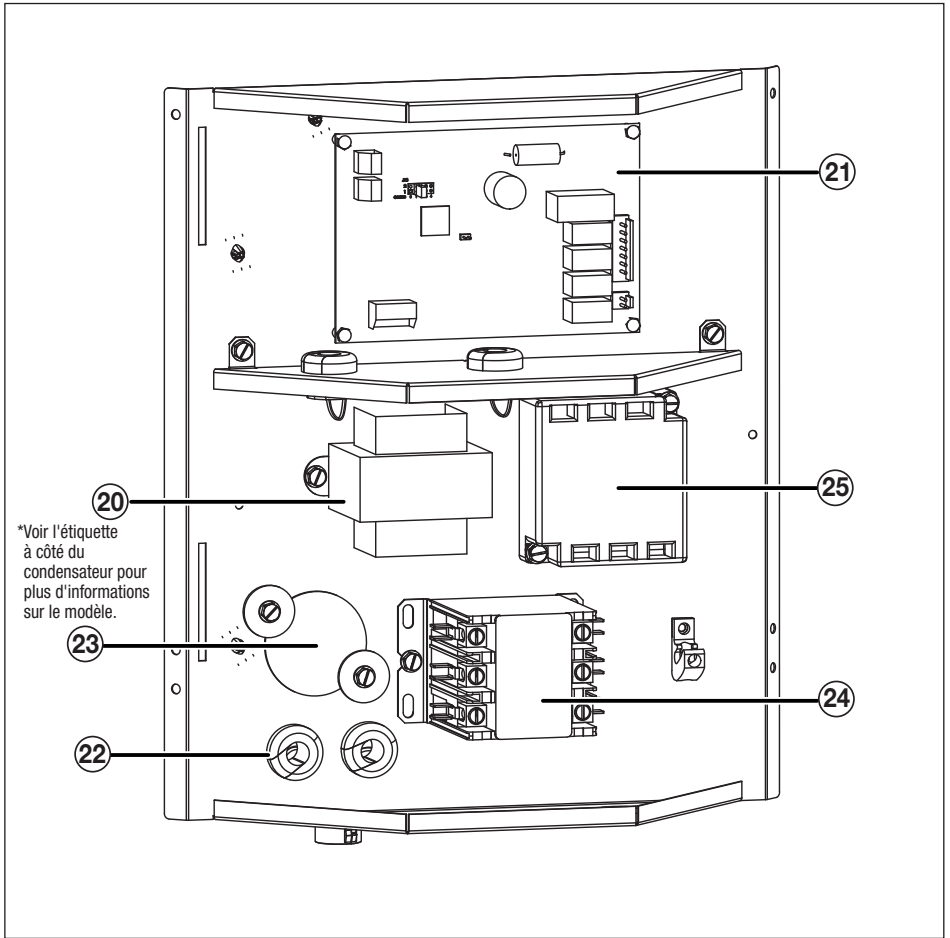


Figure 18. Boîte électrique JRT triphasée de Jandy

REMARQUES

REMARQUES

Zodiac Pool Systems LLC

2882 Whiptail Loop # 100
Carlsbad, CA 92010, USA
Jandy.com | 1.800.822.7933

Zodiac Pool Systems Canada, Inc.

2-3365 Mainway
Burlington, ON L7M 1A6, Canada
Jandy.ca | 1.800.822.7933

A Fluidra Brand

©2023 Zodiac Pool Systems LLC. Tous droits réservés. ZODIAC® est une marque déposée de Zodiac International, S.A.S.U., utilisée sous licence. Toutes les autres marques de commerce mentionnées sont la propriété de leurs propriétaires respectifs.

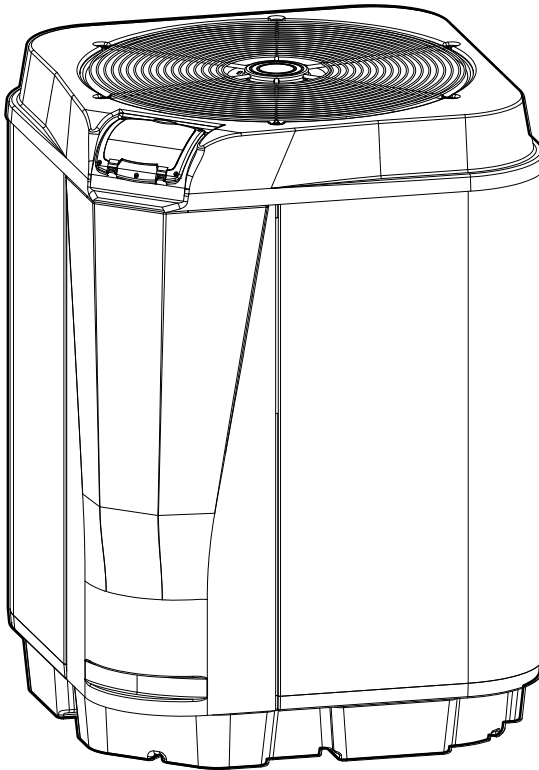
H0744700_REVG



ETL LISTED
CONFORMS TO
UL 60335-2-40

CERTIFIED TO
CAN/CSA C22.2 NO. 60335-2-40





VersaTemp™ bomba de calor JRT

⚠ ADVERTENCIA

PARA SU SEGURIDAD – La instalación y el servicio técnico de este producto deben estar a cargo de un contratista cualificado y matriculado para trabajar con equipamientos para piscinas en la jurisdicción en la que se instalará el producto, donde existan tales requisitos estatales o locales. La persona a cargo del mantenimiento debe ser un técnico habilitado en HVAC certificado en reparación y mantenimiento de bombas de calor por la jurisdicción en la que se instalará el producto, donde existan tales requisitos estatales o locales. El técnico debe contar y cumplir con todas las certificaciones y regulaciones en relación con la compra, la manipulación, el transporte y la eliminación de refrigerante R410A. En caso de que no existan tales requisitos estatales o locales, el instalador o el técnico de servicio deben ser profesionales y contar con experiencia suficiente en instalación y mantenimiento de equipamientos para piscinas, para que todas las instrucciones de este manual se puedan seguir exactamente. Antes de instalar este producto, lea y siga todos los avisos de advertencia y las instrucciones que se proporcionan con el producto. Si no se siguen los avisos de advertencia o las instrucciones, es posible que se produzcan daños materiales, lesiones personales o la muerte. Una instalación u operación incorrectas pueden anular la garantía.



La instalación y la operación inadecuadas pueden generar peligros eléctricos no deseados que pueden provocar lesiones graves, daños materiales o la muerte.

ATENCIÓN INSTALADOR – Este manual contiene información importante acerca de la instalación, la operación y la utilización seguras de este producto. Esta información debe ser entregada al dueño u operador de este equipo.

Contenido

Sección 1. Información general.....	3	5.4 Opciones de configuración del usuario	21
1.1 Introducción	3	5.5 Bloqueo del punto de ajuste.....	22
1.2 Información para el consumidor y seguridad	3	5.6 Ajuste del interruptor de presión de agua	23
1.3 Garantía	5	5.7 Descongelación con gas	24
1.4 Códigos y normas.....	5	Sección 6. Mantenimiento general.....	24
1.5 Asistencia técnica.....	5	6.1 Química del agua.....	24
1.6 Materiales necesarios para la instalación.....	5	6.2 Preparación para el invierno.....	24
1.7 Especificaciones.....	6	6.3 Puesta en funcionamiento en la primavera.....	25
Sección 2. Instrucciones de instalación.....	8	6.4 Inspección y servicio	25
2.1 Información general	8	Sección 7. Mantenimiento y servicio profesionales.....	26
2.2 Requisitos de ubicación	8	7.1 Diseño de la bomba de calor.....	26
Sección 3. Conexiones de agua	10	7.2 Componentes y funcionamiento de la bomba de calor.....	26
3.1 Disposición de las tuberías	10	Sección 8. Resolución de problemas.....	27
3.2 Conexiones de agua en la bomba de calor.....	10	8.1 Guía de resolución de problemas.....	27
3.3 Instalación de la válvula de retención.....	10	8.2 Diagnóstico.....	28
3.4 Instalación de unidades múltiples	10	Sección 9. Repuestos.....	29
3.5 Curvas de pérdidas de carga	12	9.1 Información para realizar pedidos	29
Sección 4. Conexiones eléctricas	13	9.2 Lista de piezas de la bomba de calor Jandy JRT.....	29
4.1 Información general	13	9.3 Bombas de calor Jandy JRT, vista ampliada.....	31
4.2 Energía principal	13	9.4 Caja de electricidad monofásica de Jandy JRT.....	32
4.3 Conexión equipotencial	16	9.5 Caja eléctrica trifásica JRT de Jandy	33
4.4 Controles remotos opcionales.....	16		
Sección 5. Operación	19		
5.1 Precauciones para la puesta en funcionamiento inicial	19		
5.2 Operación del controlador.....	20		
5.3 Función de refresco.....	21		

REGISTRO DE INFORMACIÓN DEL EQUIPO

Fecha de instalación _____

Información del instalador _____

Lectura inicial del medidor de presión (con filtro limpio) _____

Modelo de bomba _____ Potencia _____

Notas _____

Sección 1. Información general

LEA Y SIGA TODAS LAS INSTRUCCIONES

1.1 Introducción

Este manual suministra instrucciones de instalación y operación para las bombas de calor modelo Jandy JRT. Lea completamente estas instrucciones de instalación y operación antes de proceder con la instalación. Consulte a Zodiac Pool Systems LLC ("Zodiac") si tiene alguna pregunta en relación con este equipo. Para obtener copias adicionales de este manual comuníquese con nosotros al 800.822.7933.

Zodiac Pool Systems LLC
2882 Whiptail Loop #100
Carlsbad, CA 92010 EE. UU.

La bomba de calor Jandy JRT obtiene energía eléctrica de una fuente externa y suministra un sistema de control con termostato digital doble para combinaciones de piscina/hidromasaje o comodidad en el precalentamiento.

Esta bomba de calor está diseñada específicamente para climatizar piscinas e hidromasajes de agua dulce. No la use como calentador de servicio general. Consulte a su distribuidor para obtener los productos adecuados Jandy para estas aplicaciones.

NOTA: "Piscinas e hidromasajes de agua dulce" incluye los sistemas que utilizan unidades generadoras de cloro para agua salada, como el generador electrónico de cloro Jandy AquaPure®. Asegúrese de que el contenido de sal de la piscina o del hidromasaje *no supere* 4500 ppm y que el caudal esté entre 30-70 gpm (114-265 lpm). Cualquier tipo de dispositivo de saneamiento que se instale en la toma de salida del calentador debe tener una válvula antirretorno entre la toma de salida del calentador y el dispositivo. Véase la *Sección 3.3, Instalación de la válvula de retención*.

ATENCIÓN

La instalación y el servicio técnico deben estar a cargo de un instalador o de una agencia de servicio cualificados.

Para el instalador:



Después de la instalación, deben suministrarse estas instrucciones al propietario o deben dejarse en la bomba de calor o cerca de ella.

Para el usuario:

Este manual contiene información importante que lo ayudará a operar y mantener la bomba de calor. Consérvelo para consultarlo en el futuro.

1.2 Información para el consumidor y seguridad

La serie JRT de bombas de calor Jandy está diseñada y fabricada para suministrar muchos años de servicio seguro y confiable cuando las bombas se instalan, operan y mantienen según la información de este manual y los códigos de instalación mencionados en secciones posteriores. En todo este manual, las advertencias y precauciones de seguridad se identifican mediante el símbolo "⚠". Asegúrese de leer y cumplir todas las advertencias y precauciones.

Medidas de seguridad para hidromasajes/jacuzzis

⚠ ADVERTENCIA

La Comisión de Seguridad de Productos para el Consumidor de EE. UU. advierte que una temperatura elevada del agua puede ser peligrosa. Consulte las instrucciones de instalación y uso del calentador para conocer los lineamientos en cuanto a temperatura del agua antes de ajustar la temperatura.

⚠ ADVERTENCIA

Al utilizar el jacuzzi, se deben respetar las siguientes “Normas de seguridad para jacuzzis”, recomendadas por la Comisión para la Seguridad de los Productos de Consumo de los EE. UU.

- La temperatura del agua de los jacuzzis nunca debe superar los 40 °C (104 °F). 38 °C (100 °F) se considera seguro para un adulto sano. Se recomienda tener especial precaución con los niños.
- El consumo de bebidas alcohólicas antes o durante el uso del jacuzzi puede provocar somnolencia, lo cual podría generar un estado de inconsciencia, que puede resultar en ahogo.
- **Mujeres embarazadas, ¡tomen nota!** Sumergirse en agua a una temperatura superior a los 38,5 °C (102 °F) puede causar daño fetal durante los primeros tres (3) meses de embarazo (lo cual podría dar lugar al nacimiento de un niño deformado o con daño cerebral). Si mujeres embarazadas van a usar el jacuzzi, deben asegurarse de que la temperatura del agua sea inferior a los 38 °C (100 °F) como máximo.
- Siempre debe corroborarse la temperatura del agua con un termómetro preciso antes de ingresar al jacuzzi. Los controles de temperatura pueden variar por 1 °C/1 °F.
- Las personas con antecedentes de enfermedades cardíacas, diabetes, problemas circulatorios o de tensión arterial deben consultar con su médico antes de utilizar un jacuzzi.
- Las personas que toman medicamentos que causan somnolencia (por ej., sedantes, antihistamínicos o anticoagulantes) no deben usar jacuzzis.

⚠ ADVERTENCIA

La inmersión prolongada en agua caliente puede causar hipertermia.

La hipertermia se da cuando la temperatura corporal interna alcanza un nivel que se encuentra varios grados por encima de la temperatura corporal normal de 37 °C (98,6 °F). Los síntomas incluyen mareos, desmayos, somnolencia, letargo y aumento de la temperatura corporal interna. Los efectos de la hipertermia incluyen:

- Falta de conciencia de un peligro inminente.
- Imposibilidad de percibir el calor.
- Imposibilidad de reconocer la necesidad de salir del jacuzzi.
- Incapacidad física de salir del jacuzzi.
- Daño fetal en mujeres embarazadas.
- Estado de inconsciencia que genera peligro de ahogo.

⚠ ADVERTENCIA

Este aparato no está destinado a ser utilizado por personas (incluidos menores) con capacidades físicas, sensoriales o mentales disminuidas, o con falta de experiencia y conocimientos, a menos que hayan recibido orientaciones o instrucciones sobre el uso del aparato por parte de una persona responsable de su seguridad.

⚠ ADVERTENCIA

PREVENCIÓN DEL AHOGAMIENTO DE NIÑOS: No permita que nadie, especialmente niños pequeños, se siente, pise, se apoye o se suba a cualquier equipo instalado como parte del sistema de funcionamiento de su piscina. Coloque los componentes de su sistema operativo a una distancia mínima de 1.5 m (5 pies) de la piscina para que los niños no puedan utilizar el equipo mientras están en la piscina y puedan sufrir lesiones o ahogarse.

GUARDE ESTAS INSTRUCCIONES

Sugerencias para el ahorro de energía en piscinas

Es importante observar que una bomba de calor no calentará una piscina con la misma rapidez de un calentador para piscinas a gas o eléctrico de gran tamaño. Si se permite que el agua de la piscina se enfríe mucho, es posible que tarde varios días en regresar a la temperatura deseada para usar la piscina. Para el uso durante los fines de semana, es *más económico* mantener el agua de la piscina a la temperatura deseada para usar la piscina, o cerca. Si *no* planea usar la piscina durante mucho tiempo, es posible apagar completamente la bomba de calor o reducir la configuración de temperatura del control varios grados para minimizar el consumo de energía.

Jandy ofrece las siguientes recomendaciones para ahorrar energía y reducir los costos de funcionamiento de la bomba de calor sin resignar comodidad.

1. La Cruz Roja de los EE. UU. recomienda una temperatura máxima del agua de 78 °F (25 °C). Use un termómetro para piscinas adecuado. Una diferencia de 4 °F (2 °C), entre 78 °F y 82 °F (26 °C y 28 °C), aumentará significativamente el consumo de energía.
2. Monitoree con atención la temperatura del agua de la piscina durante el verano. Es posible reducir el uso de la bomba de calor debido a temperaturas más cálidas del aire.
3. En invierno, o cuando se vaya de vacaciones durante más de una semana, apague la bomba de calor.
4. Halle la configuración adecuada en el control de temperatura de la bomba de calor y use el bloqueo de puntos de ajuste o trabe la cubierta del controlador de la bomba de calor para desalentar ajustes adicionales.
5. Establezca el reloj de la bomba para que la bomba se inicie después de las 6:00 a.m. durante la temporada de climatización de la piscina. Esta es la hora en que se equilibra la pérdida de calor nocturna.
6. Siempre que sea posible, resguarde la piscina de los vientos predominantes con cercos bien recortados u otra medida de paisajismo, cabañas o cercado.
7. El uso de una cubierta automática para la piscina, si está instalada, ofrece una valiosa característica de seguridad, reduce la pérdida de calor, conserva los químicos y reduce la carga de los sistemas de filtrado.
8. El uso de una manta solar puede reducir la pérdida de calor provocada por la evaporación en el área superficial de la piscina.

1.3 Garantía

La bomba de calor Jandy JRT se vende con una garantía de fábrica limitada.

Presente todos los reclamos de garantía ante su distribuidor de Jandy o directamente ante Jandy. Los reclamos deben incluir el número de serie y el modelo de la bomba de calor (esta información se encuentra en la placa de calificaciones nominales), la fecha de instalación y el nombre del instalador. Los costos de envío no se incluyen en la cobertura de la garantía.

La garantía no cubre los daños provocados por el ensamblaje, la instalación, la operación, la preparación o las modificaciones en campo que no sean correctos ni por no conectar equipotencialmente y a tierra correctamente la unidad. Los cambios en la bomba de calor, el evaporador, el intercambiador de calor o el cableado, al igual que una instalación incorrecta, pueden anular la garantía.

1.4 Códigos y normas

La bomba de calor Jandy JRT se incluye en ETL® como en conformidad con la edición más reciente de "UL Standard for Electrical Heat Pumps, Air-Conditioners, and Dehumidifiers", UL 60335-2-40 y CSA No. 60335-2-40.

Todas las bombas de calor Jandy deben instalarse en conformidad con los códigos locales de edificios e instalación del servicio público o de la autoridad con jurisdicción. Todos los códigos locales tendrán precedencia los códigos nacionales. Si no hay códigos locales, consulte la edición más reciente de National Electrical Code® (NEC®) en los Estados Unidos o de Canadian Electrical Code (CEC®) en Canadá para la instalación.

1.5 Asistencia técnica

Consulte al departamento de soporte técnico de Jandy o al distribuidor local de Jandy si tiene preguntas o problemas en relación con sus equipos Jandy. El experimentado personal de soporte técnico está listo para ayudarlo a asegurar la aplicación y el desempeño correctos de los productos Jandy. Para obtener asistencia técnica, llame al departamento de soporte técnico de Jandy al 800.822.7933.

1.6 Materiales necesarios para la instalación

Se necesitan los siguientes elementos, que deben ser suministrados por el instalador para **todas** las instalaciones de bombas de calor:

1. Conexiones de las tuberías (2").
2. Superficie nivelada para un drenaje adecuado. (Observe la base del equipo para los requisitos de inclinación).

3. Línea de suministro eléctrico adecuado. Consulte la placa de calificaciones nominales de la unidad para obtener las especificaciones eléctricas. No se necesita una caja de conexiones en la bomba de calor. Las conexiones se llevan a cabo dentro del compartimiento eléctrico de la bomba de calor. Es posible conectar el conducto directamente al revestimiento de la bomba de calor.

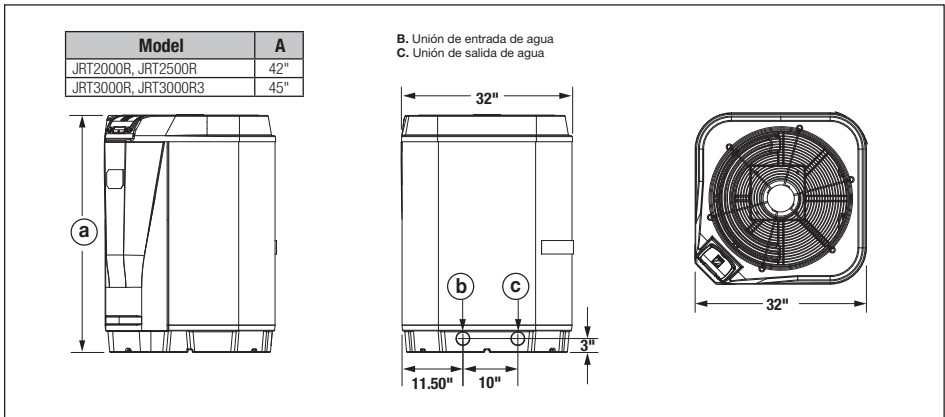
NOTA: Se recomienda un conducto flexible para conectar los cables de suministro eléctrico a la bomba de calor, de modo que el panel delantero pueda quitarse fácilmente para el servicio.

4. Interruptor de corte de electricidad que interrumpirá toda la energía a la unidad. Este interruptor *debe* estar en la línea de visión de la bomba de calor.
5. Conducto a prueba de agua para tender la línea de suministro eléctrico.

1.7 Especificaciones

Es posible su uso en exteriores. Deben cumplirse los espacios libres que se indican en la *Tabla 2*.

Conexión entre el tubo de agua y el calentador	
PVC	2" plástico (se incluyen las uniones)
Caudal	
Máximo	70 gpm (265 lpm)
Óptimo	JRT2000R = 42 gpm (159 lpm), JRT2500R = 48 gpm (182 lpm), JRT3000R/R3 = 57 gpm (216 lpm)
Mínimo	JRT2000R/2500R = 20 gpm (76 lpm) JRT3000R/R3 = 30 gpm (114 lpm)
Temperatura de operación del agua	
Mínimo	32 °F (0 °C)
Máximo	104 °F (40 °C)
Presión de trabajo máxima del agua	
	75 psi
Suministro eléctrico	
Requisitos de voltaje Monofásico Trifásico	230 VAC 60Hz 208-230 VAC 60Hz (solo para el modelo JRT3000R3)
Presión de trabajo máxima del refrigerante	
	600 PSI
Dimensiones	
Consulte la <i>Figura 1</i> para obtener las dimensiones de la bomba de calor y para las dimensiones a las conexiones críticas.	
Especificaciones técnicas	
Consulte la <i>Tabla 1</i> para las especificaciones técnicas de la bomba de calor Jandy JRT.	



Modelo	JRT2000R	JRT2500R	JRT3000R	JRT3000R3
Voltaje	208/230V/60HZ	208/230V/60HZ	208/230V/60HZ	208/230V/60HZ
Salida (80/80/80)*	103 000 BTU	116 000 BTU	130 000 BTU	130,000 BTUs
Entrada (80/80/80)*	4,72 kW	5,23 kW	6,57 kW	6.2 kW
COP (80/80/80)*	6,4	6,5	5,8	6.1
Salida (80/63/80)**	96 000 BTU	109 000 BTU	124 000 BTU	124,000 BTUs
COP (80/63/80)**	6,1	6,1	5,6	5.9
Salida (50/63/80)**	62 000 BTU	70 000 BTU	82 000 BTU	85,000 BTUs
COP (50/63/80)**	4,1	4,1	4,0	4.4
RLA (amp de carga en funcionamiento)	28,3 A	29 A	32,5 A	33A
LRA (amp de rotor bloqueado)	178 A	145 A	148 A	179A
Ampacidad mínima del circuito	38 A	39 A	40 A	40A
Protección máx. Contra sobrecorriente#	40 A	50 A	50 A	50A
Función de refrescado	Sí	Sí	Sí	Sí
Descongelado con gas	Sí	Sí	Sí	Sí
Intercambiador de calor	Ti bobina de alambre trenzado			
Compresor	Scroll			
Gabinete	ABS			
Altura máxima debajo del nivel del agua	10 pies			
Altura mínima debajo del nivel del agua	5 pies			
Caudal de agua óptimo	42 GPM	48 GPM	57 GPM	57 GPM
Caudal de agua mínimo	20 GPM	20 GPM	30 GPM	30 GPM
Caudal de agua máximo	70 GPM			
Caudal de aire	3600 CFM			
Tamaño de la unión	Pieza del extremo de PVC de 2" PVC/tuerca			
Peso	232 lb	242 lb	252 lb	300 lb
* Calificación nominal en conformidad con la norma 1160 de AHRI. Condiciones de prueba: 80 °F aire, 80 % hum. relativa, 80 °F agua.				
** Calificación nominal en conformidad con la norma 1160 de AHRI. Condiciones de prueba: 80 °F aire, 63 % hum. relativa, 80 °F agua.				
*** Calificación nominal en conformidad con la norma 1160 de AHRI. Condiciones de prueba: 50 °F aire, 63 % hum. relativa, 80 °F agua.				
**** La protección máx. contra sobrecorriente se refiere al tamaño máximo de disyuntor permitido. Si este valor no es un tamaño estándar de disyuntor, utilice el siguiente disyuntor de tamaño estándar más pequeño. El tamaño del disyuntor no debe ser menor al valor de ampacidad mínima del circuito.				

Tabla 1. Especificaciones técnicas de la bomba de calor Jandy JRT

Sección 2. Instrucciones de instalación

2.1 Información general

Instale las bombas de calor Jandy en conformidad con los procedimientos de este manual, los códigos y las ordenanzas locales y la edición más reciente del código nacional correspondiente. (Consulte *Section 1.4, Códigos y normas*). Se requiere la instalación correcta para asegurar el funcionamiento seguro. Los requisitos para las bombas de calor Jandy incluyen:

1. Ensamblaje en campo (si se requiere).
2. Ubicación del sitio y espacios libres apropiados.
3. Una ventilación de aire suficiente.
4. Un cableado eléctrico adecuado.
5. Un caudal de agua adecuado.

En el presente manual se suministra la información necesaria para cumplir estos requisitos. Repase todos los procedimientos de la aplicación y de la instalación completamente antes de continuar con la instalación.

2.2 Requisitos de ubicación

NOTA: No se recomienda instalar en interiores. Llamar al soporte técnico de Jandy para más información: 800.822.7933.

⚠ PRECAUCIÓN

Cuando el equipamiento para piscinas está ubicado debajo de la superficie de la piscina, una fuga de cualquier componente puede provocar una gran pérdida de agua o una inundación. Zodiac® no puede hacerse responsable por tal pérdida de agua o inundación, ni por los daños resultantes.

Evite colocar la bomba de calor en lugares donde pueda provocar daños por fugas de agua o de condensación. Si esto no resulta posible, suministre una bandeja adecuada para el drenaje a fin de capturar y desviar cualquier fuga.

Todos los criterios suministrados en las secciones siguientes se refieren a los espacios libres mínimos. No obstante, cada instalación también debe evaluarse teniendo en cuenta las condiciones locales prevalentes, como la proximidad y la altura de las paredes, y la proximidad a las áreas de acceso público.

Espacios libres

La bomba de calor debe colocarse para suministrar espacios libres en todos los lados, para su mantenimiento e inspección. Consulte la *Tabla 2*.

El acceso de la parte delantera de la bomba de calor de 24" (60 cm) suministra un espacio adecuado para el servicio.

Si la bomba de calor se instalará debajo de una saliente vertical, la unidad debe tener un mínimo de 5 pies (1,5 metros) de espacio libre desde la parte superior de la bomba de calor.

Lado de la bomba de calor	Espacios libres mínimos para la operación		Espacios libres recomendados para la capacidad de servicio	
	pulgadas	cm	pulgadas	cm
Parte delantera	24	60	36	90
Parte posterior	12	30	24	60
Izquierda	12	30	24	60
Derecha	12	30	24	60
Parte superior	60	150	60	150

Tabla 2. Espacios libres de la bomba de calor

NOTA: Los espacios libres detallados en la *Tabla 2* son valores probados por el fabricante. Se suministran como valores mínimos. Donde correspondan códigos locales y nacionales y los valores sean distintos a los detallados en la *Tabla 2*, use el valor más grande para asegurar un funcionamiento seguro y correcto.

En los EE. UU., la bomba de calor debe instalarse a 5 pies (1,5 metros) como mínimo de la pared interior de la piscina o del hidromasaje, a menos que la bomba de calor esté separada de la piscina o del hidromasaje mediante una cerca o barrera permanente sólida de 5 pies (1,5 metros) de alto.

En las instalaciones de Canadá, la distancia mínima que debe mantenerse desde la pared interior de la piscina o del hidromasaje es de 3 metros (aprox. 10 pies).

Base del equipo

Coloque la bomba de calor en una superficie plana con una leve inclinación, como una losa de hormigón o fabricada (base). Esto permite el drenaje adecuado de la condensación y del agua de lluvia de la base de la unidad. De ser posible, la base debe colocarse al mismo nivel o levemente más alta que la base de los equipos del sistema de filtros.

NOTA: Asegúrese de que la base tenga una inclinación máxima de ¼ pulgadas por pie hacia el extremo del compresor (parte delantera) de la bomba de calor. Establezca la inclinación de la losa de la parte posterior a la delantera en ¼ pulgada por pie como máximo y nivele de lado a lado.

Condensación y drenaje

La condensación se producirá desde la serpentina evaporadora cuando la unidad esté en funcionamiento y se drenará a una tasa regular, en general de 3 a 5 galones (11,4 a 18,9 litros) por hora, según la temperatura ambiente del aire y la humedad.

Cuanto más húmedas las condiciones ambiente, más condensación se producirá. Mantenga los orificios de drenaje de la base de la unidad libres de desechos.

Rociadores de césped

Evite que los cabezales de los rociadores de césped pulvericen agua sobre la bomba de calor para evitar la corrosión y el daño. De ser necesario, utilice un deflector.

Escurrimiento del techo

Asegúrese de que la bomba de calor no esté ubicada donde podría escurrirse una cantidad importante de agua del techo sobre la unidad. Los techos de pendiente empinada sin canaletas pueden permitir que enormes cantidades de agua de lluvia mezclada con desechos del techo caigan sobre la unidad. Es posible que resulten necesarias una canaleta o una boquilla para proteger la bomba de calor.

Instalación de abrazaderas de anclaje

En Florida, los códigos de construcción requieren que la bomba de calor se anclen en la base o en la plataforma del equipo para soportar las altas presiones del viento creadas por los huracanes. Es posible que otras jurisdicciones tengan requisitos similares. Consulte los códigos locales para obtener más detalles.

Esta bomba de calor se suministra con abrazaderas de anclaje diseñadas para sostener la unidad a la base del equipo en condiciones con mucho viento. La instalación de las abrazaderas de anclaje se recomienda en todas las instalaciones y son un requisito en Florida (consulte el Código de Construcción de Florida, sección de aspectos mecánicos 301.13).

Para instalar las abrazaderas de anclaje:

1. Asegúrese de que la bomba de calor esté en su ubicación permanente sobre la base del equipo.
2. Coloque las abrazaderas en la base de la bomba de calor en las ubicaciones indicadas en la *Figura 2*.
3. Ubique el gancho de cada abrazadera sobre el reborde en el panel de la base de la bomba de calor. El gancho debe caber entre el reborde del panel de la base y el protector de la serpentina evaporadora (consulte la *Figura 3*).
4. Marque la posición del orificio en cada abrazadera de la base del equipo.
5. Perfore un orificio en el cemento con una broca de mampostería, de un diámetro acorde al anclaje para hormigón, en cada una de las marcas de la base del equipo. El orificio debe tener aproximadamente 1-3/4" de profundidad.
6. Inserte un anclaje de perno en cada uno de los orificios. Asegúrese de que los anclajes estén completamente dentro de los orificios.

7. Posicione las abrazaderas de anclaje de modo que los orificios de las abrazaderas estén sobre los anclajes de perno. Asegúrese de que los ganchos de las abrazaderas estén sobre el reborde de la base de la bomba de calor (consulte la *Figura 3*).
8. Inserte un perno de anclaje a través de cada abrazadera en el anclaje y apriete para fijar la abrazadera y la bomba de calor a la base del equipo.

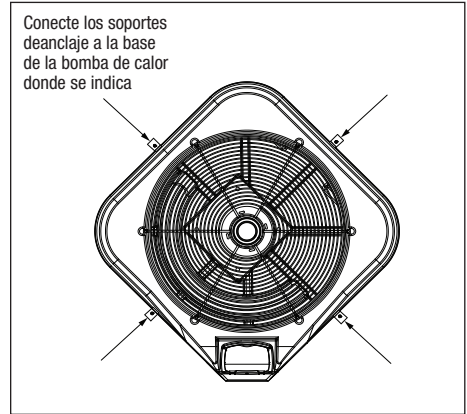


Figura 2. Posiciones de las abrazaderas de anclaje

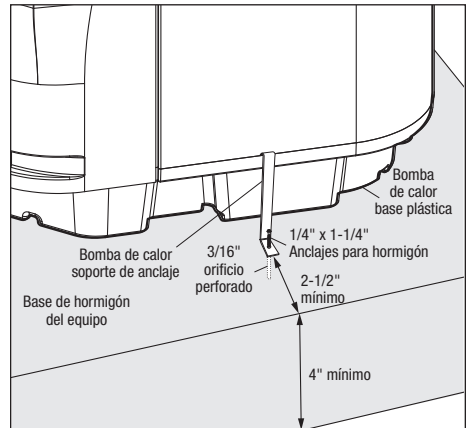


Figura 3. Instalación de las abrazaderas de anclaje

Sección 3. Conexiones de agua

3.1 Disposición de las tuberías

En la *Figura 4* se ilustra la disposición estándar de las tuberías con una única unidad de bomba de calor. En el diagrama, de derecha a izquierda, la secuencia de tuberías es la siguiente:

Piscina > Bomba de la piscina > Filtro > Bomba de calor > Válvula de retención > Circuito de químicos > Clorador > Piscina

NOTA: Para las instalaciones normales, no instale válvulas de cierre ni ningún otro tipo de restricción variable en las tuberías de agua ubicadas entre la salida de la bomba de calor y la piscina/el hidromasaje.

La disposición de los componentes de sistema de piscinas de manera distinta a la ilustrada en los diagramas anteriores y siguientes puede afectar el funcionamiento del interruptor de presión de agua de la bomba de calor. Si la bomba de calor se ubica por arriba o por debajo de la superficie del agua de la piscina, esto también puede afectar el funcionamiento del interruptor. En general, el interruptor de presión se puede ajustar para compensar este efecto si las conexiones de agua de la bomba de calor no están a más de 10 pies por debajo de la superficie del agua de la piscina o a no más de 5 pies por arriba de ella. Si desea obtener más información acerca de este punto, consulte las instrucciones de ajuste del interruptor de presión en la sección sobre puesta en funcionamiento de la bomba de calor (consulte la *Section 5.6, Ajuste del interruptor de presión de agua*) en este manual. Si la bomba de calor se instala fuera de este rango, es posible que deba instalarse un interruptor de caudal externo en las tuberías antes de la bomba de calor. Llame al departamento de soporte técnico de Jandy al 800.822.7933 para obtener detalles.

Tenga en cuenta que cuando el equipo para piscinas está ubicado debajo de la superficie de la piscina, una fuga puede provocar una gran pérdida de agua o una inundación. Jandy no puede hacerse responsable por tal pérdida de agua o inundación, ni por los daños materiales causados por ella.

3.2 Conexiones de agua en la bomba de calor

El agua filtrada es bombeada hacia la entrada, ubicada en la parte trasera inferior de la bomba de calor. La conexión para la entrada del agua está a la izquierda. El agua caliente fluye hacia la salida ubicada a la izquierda. Se proporcionan uniones de 2 pulgadas (2 in). La tubería de plástico (PVC Anexo 40) debe conectarse a la bomba de calor. Las uniones proporcionadas con la unidad aceptan la tubería de PVC de 2 in.

Si el flujo del agua es mayor a 70 gpm, entonces debe instalarse un desvío externo. Véase el gráfico de la tubería para más detalles.

⚠ PRECAUCIÓN

Asegúrese de que puedan mantenerse los requisitos de caudal y las tasas de rotación del agua con la instalación de bombas de calor adicionales y restricciones en las tuberías.

3.3 Instalación de la válvula de retención

⚠ ADVERTENCIA

Una válvula de retención puede interferir con el funcionamiento correcto de determinados productos de sistema de desfogeo de vacío de succión (suction vacuum release system, SVRS). Para evitar posibles peligros de atrapamiento, lesiones graves o la muerte, asegúrese de reparar el manual de operación/ del propietario de su producto específico del SVRS antes de instalar la válvula de retención.

La bomba de calor debe estar protegida del contrasifonaje de agua. Si hay posibilidad de contrasifonaje, coloque una válvula de retención entre la piscina y la entrada de la bomba de filtro.

Cuando se instale un alimentador automático de químicos en las tuberías, debe instalarse después de la bomba de calor. Debe instalarse una bomba de retención entre la bomba de calor y el alimentador de químicos para evitar el contrasifonaje del agua saturada de químicos hacia la bomba de calor, donde dañaría los componentes.

3.4 Instalación de unidades múltiples

Combinación de bomba de calor y calentador

En determinadas regiones del país, puede resultar más económico hacer funcionar una bomba de calor durante los meses más cálidos y un calentador de gas durante los meses más fríos. En algunas situaciones, puede resultar deseable hacer funcionar la bomba de calor en el modo de “enfriador” durante la parte más cálida del año y un calentador durante los meses más fríos. La bomba de calor Jandy puede conectarse mediante las tuberías con un calentador de gas o eléctrico, o con una combinación de fuentes de calor, incluida la energía solar. Todas las fuentes de calor deben conectarse mediante las tuberías en serie para funcionar de manera correcta y eficiente.

En la *Figura 5* se ilustra una disposición recomendada de las tuberías para un sistema de calentamiento con una combinación de bomba de calor/calentador/energía solar para una combinación de piscina/hidromasaje. Es posible que su sistema no contenga todos estos componentes, pero las tuberías básicas se aplican igualmente al eliminar el componente de la ilustración que no sea parte de su sistema.

Conexiones de múltiples bombas de calor

Todas las conexiones mediante tuberías de instalaciones con múltiples bombas de calor deben hacerse en paralelo (consulte la *Figura 6* y la *Figura 7*). Es importante que haya un caudal de agua igual hacia cada bomba de calor para un funcionamiento óptimo.

NOTA: Puede resultar necesario ajustar el interruptor de presión de agua si hay una unidad instalada debajo del nivel del agua. Consulte la *Section 5.6, Ajuste del interruptor de presión de agua* para obtener detalles sobre cuándo y cómo ajustar el interruptor de presión.

NOTA: Cada bomba de calor permite un caudal máximo de 70 gpm (265 lpm) y requiere un mínimo de 20 gpm (76 lpm) para JRT2000R/2500R y 30 gpm (114 lpm) para JRT3000R/JRT3000R3.

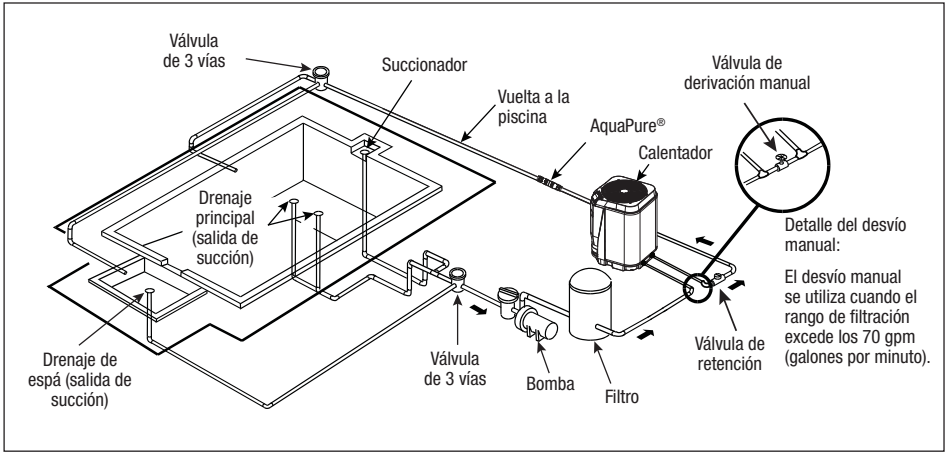


Figura 4. Disposición estándar de las tuberías

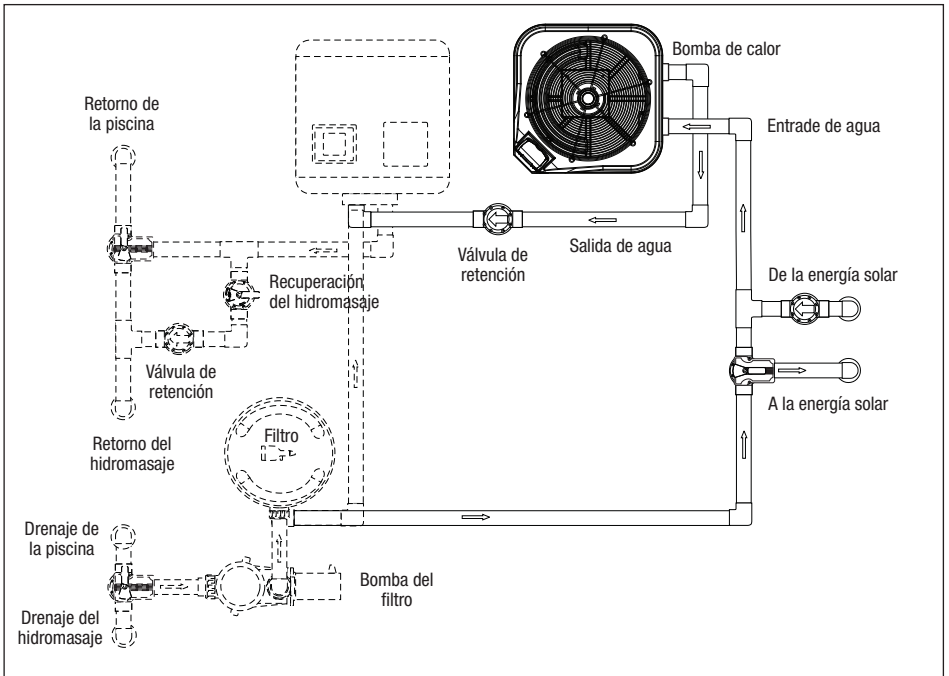


Figura 5. Tuberías para combinaciones de sistemas de calentamiento

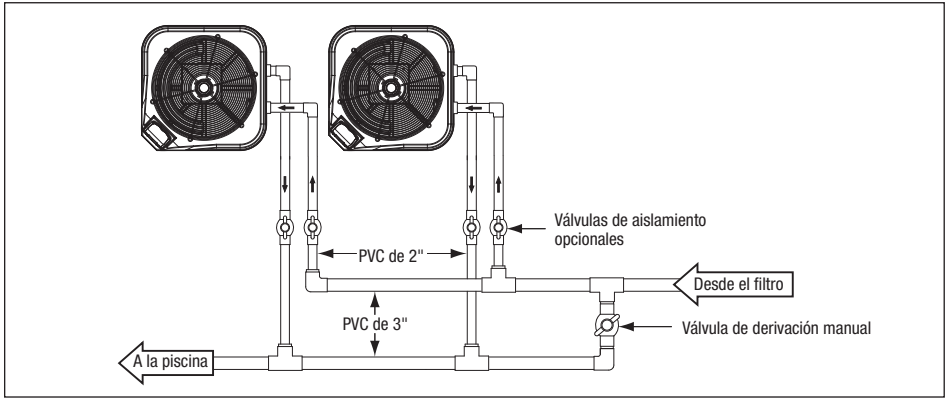


Figura 6. Disposición de las tuberías para dos (2) bombas de calor

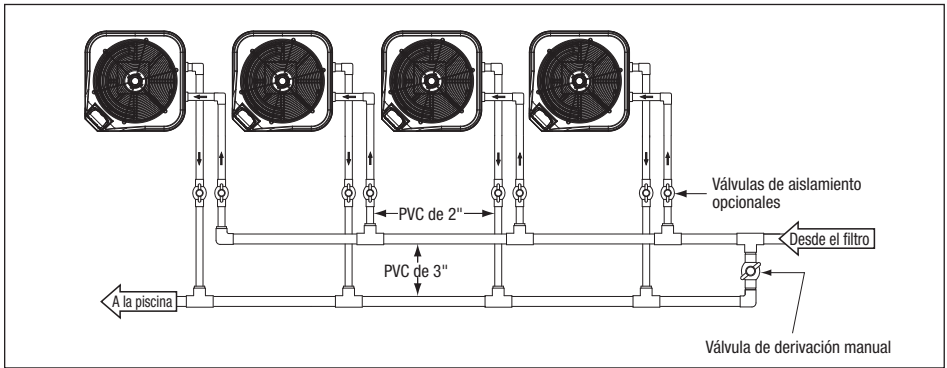
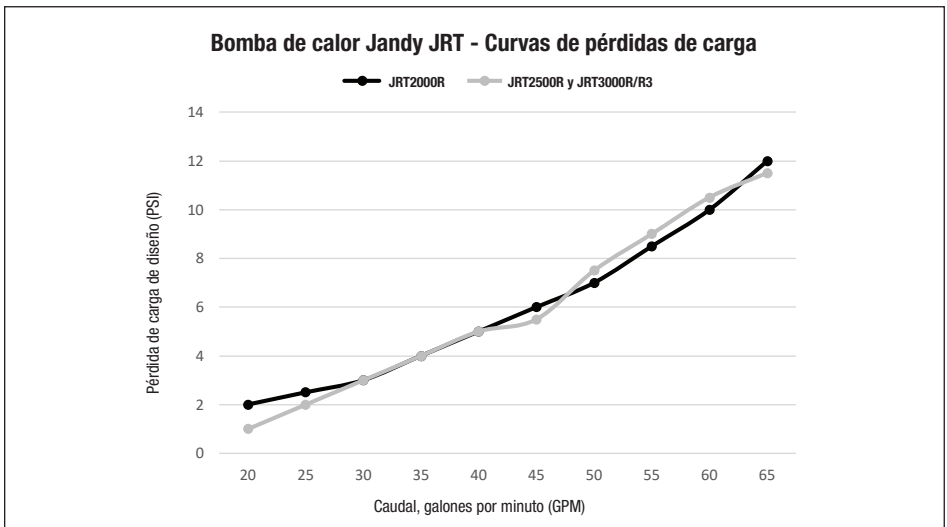


Figura 7. Disposición de las tuberías para cuatro (4) bombas de calor

3.5 Curvas de pérdidas de carga



Sección 4. Conexiones eléctricas

4.1 Información general

Las conexiones del cableado deben hacerse exactamente como se muestra en el diagrama de cableado de la parte interior del compartimiento de acceso de la bomba de calor (consulte la *Figura 8* para un cableado eléctrico monofásico). La bomba de calor debe incluir un medio definido de conexión a tierra y conexión equipotencial. Hay un terminal de conexión equipotencial en el lado derecho de la bomba de calor, donde debe conectarse un cable de conexión equipotencial.

4.2 Energía principal

El cableado eléctrico a la bomba de calor debe coincidir con la versión más reciente de National Electric Code® (NEC®), ANSI/National Fire Protection Association (NFPA 70®) en los Estados Unidos y, en Canadá, con la versión más reciente de Canadian Electrical Code (CSA® C22.1), a no ser que los requisitos de los códigos locales indiquen otra cosa.

Las bombas de calor vienen cableadas de fábrica para su uso con 230 VCA, 60 Hz, monofásico. Consulte la placa de calificaciones nominales para obtener las especificaciones eléctricas. Todo el cableado debe ser hecho por un electricista certificado.

El siguiente procedimiento indica cómo cablear la bomba de calor Jandy JRT a la fuente de electricidad especificada en la placa de calificaciones nominales:

1. Asegúrese de que la energía al circuito de la bomba de calor esté desactivada.
2. Extraiga los tres (3) tornillos que conectan el panel de servicio/acceso a la unidad de la bomba de calor (consulte la *Figura 10*).
3. Extraiga el panel delantero.
4. Extraiga el tornillo del lado derecho de la caja de control.
5. Abra la caja de control.
6. Tienda el conducto eléctrico a través de la base de la unidad.
7. Conecte el conducto eléctrico al lado derecho de la caja de control con el conector de conducto.
8. Conecte los cables a los terminales del contactor principal como se indica en el diagrama de cableado. Consulte la *Figura 8*.
9. Conecte el cable de conexión a tierra al terminal de conexión a tierra que se suministra en el compartimiento eléctrico.
10. Cierre la caja de control y fíjela con el tornillo suministrado.
11. Vuelva a asentar el panel de acceso de servicio y fíjelo con los tornillos suministrados.

12. Conecte un cable de cobre para conexión equipotencial (8 AWG). En Canadá, no debe ser menor que 6 AWG (13,3 mm²) al terminal de conexión equipotencial del lado derecho de la bomba de calor.

⚠ ADVERTENCIA

PELIGRO DE DESCARGA ELÉCTRICA. Esta bomba de calor contiene un cableado que traslada alto voltaje. El contacto con estos cables puede producir lesiones graves o la muerte. Desconecte el circuito de energía antes de conectar la bomba de calor.

⚠ ADVERTENCIA

Desconecte la energía eléctrica y el suministro de gas del calefactor antes de encenderlo y manténgalos desconectados durante todo el procedimiento. El incumplimiento de esta medida puede provocar un incendio, una explosión o una descarga eléctrica, lo que podría causar daños materiales, lesiones personales graves o la muerte.

Al desconectar o conectar cualquier cableado eléctrico en el aparato, tenga cuidado de no estropear o desgastar ningún cableado.

⚠ PRECAUCIÓN

Etiquete todos los cables antes de desconectarlos para el servicio de los controles. Los errores de cableado pueden generar un funcionamiento inapropiado y peligroso. Verifique que la unidad funcione correctamente después del servicio.

4.2.1 Medio de desconexión

Un medio para desconectar la energía de la bomba de calor debe estar al alcance de la vista del equipo e instalado de acuerdo con el código local.

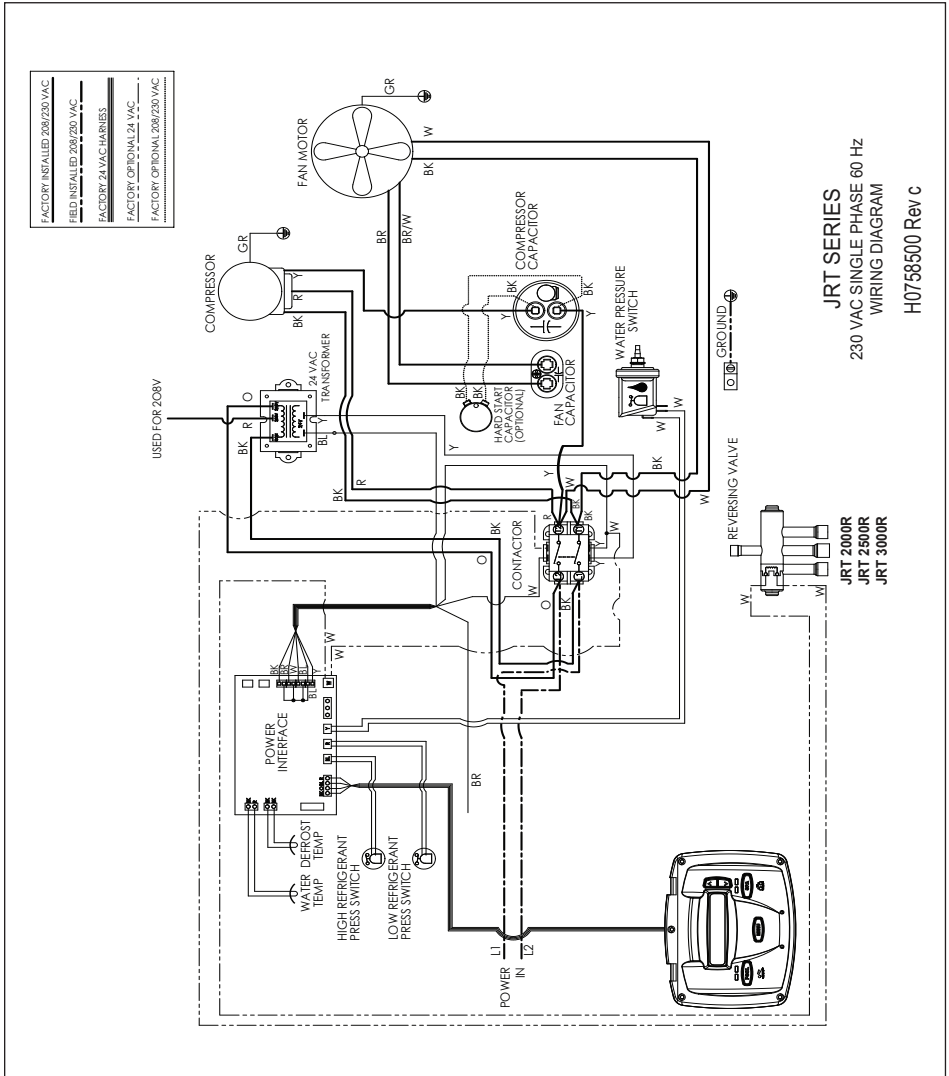


Figura 8. Diagrama de cableado para JRT con suministro eléctrico monofásico

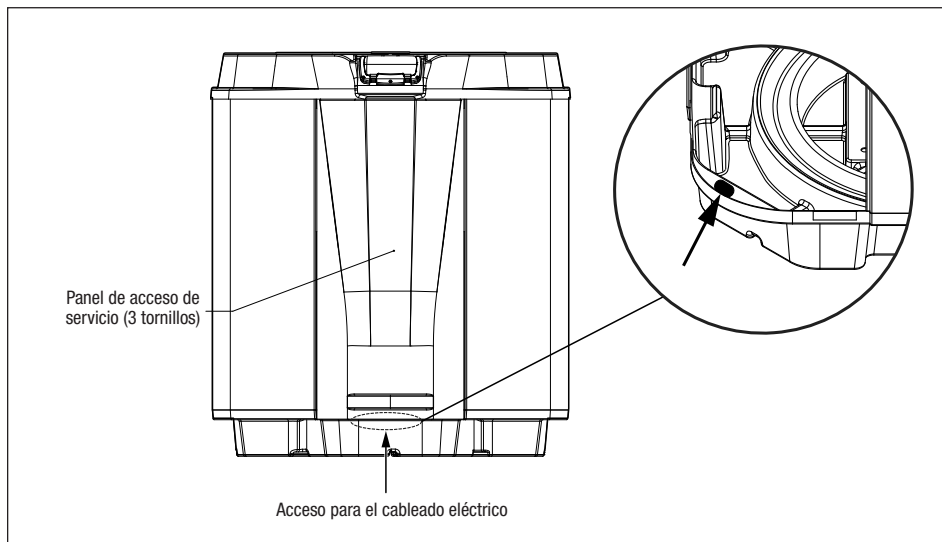


Figura 10. Vista delantera de la bomba de calor Jandy JRT

4.3 Conexión equipotencial

⚠ PRECAUCIÓN

Este bomba de calor debe estar conectado a una red de conexión equipotencial con un cable de cobre macizo de un diámetro no menor que 8 AWG (en Canadá, no debe ser menor que 6 AWG).

El National Electrical Code® (NEC® en los Estados Unidos) o el Canadian Electrical Code (CEC en los Estados Unidos) exige que los equipos de piscina estén unidos unos a otros. Compruebe sus códigos locales para determinar si las Autoridades con jurisdicción (AHJ en los Estados Unidos) o las autoridades competentes locales de Canadá obligan a la instalación del NEC o del CEC y/u otros códigos de instalación locales. El NEC exige un cable de cobre macizo de 8,37 mm² (8 AWG) y el CEC, de 13,3 mm² (6 AWG) para unir el equipo a una conexión de unión permanente que resulte aceptable para la AHJ local o las autoridades competentes locales en Canadá.

Consulte los códigos locales obligatorios para conocer el calibre aceptable del cable de unión. Conecte el punto de unión de la parte inferior de la bomba de calor a un punto de unión común. No use la bomba de calor como punto de unión común. Cada elemento del equipo de piscina no relacionado que necesite una toma de tierra también debería unirse al punto de unión común aprobado.

El National Electrical Code® (NEC®) exige la unión del agua de la piscina. Cuando ninguno de los equipos, estructuras o elementos de la piscina unidos estén en conexión directa con el agua de la piscina; el agua de la piscina deberá estar en contacto directo con

una superficie conductora resistente a la corrosión aprobada que exponga al menos 5800 mm² (9 in²) del área de la superficie al agua de la piscina en todo momento. La superficie conductora se ubicará donde no esté expuesta a daños físicos o desplazamiento durante las actividades habituales de la piscina, y se unirá de acuerdo con los requisitos de unión del Artículo 680 del NEC. Consulte los códigos obligatorios a nivel local para conocer cualquier requisito adicional en cuestión de unión de piscinas y jacuzzis.

4.4 Controles remotos opcionales

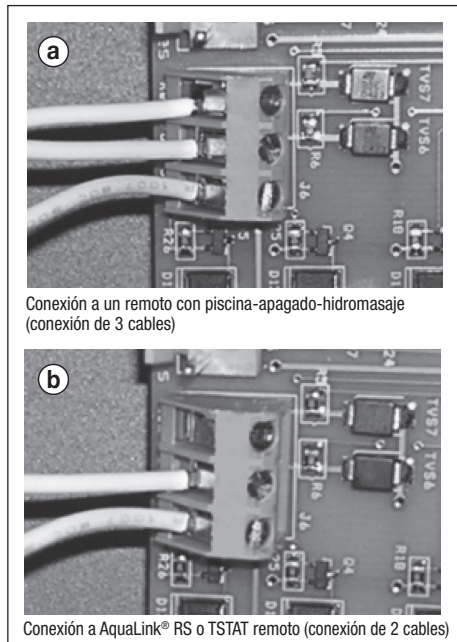
El cableado eléctrico debe cumplir todas las ordenanzas y todos los códigos nacionales y locales aplicables.

Conexión a un selector remoto con piscina-apagado-hidromasaje (conexión de 3 cables)

Instale el selector remoto con piscina-apagado-hidromasaje

1. Apague el suministro de energía al sistema de control de la piscina/del hidromasaje y a la unidad de la bomba de calor.
2. Extraiga los tornillos que conectan el panel de servicio/acceso a la unidad de la bomba de calor y la cubierta de la caja de conexiones (consulte la Figura 10).

3. Tienda los cables del sistema de control de la piscina/del hidromasaje hasta la conexión de conducto etiquetada "Low Voltage Connection" (Conexión de bajo voltaje) y ubicada en la parte inferior derecha de la bomba de calor (consulte la Figura 12). Asegúrese de que los conductores no estén pellizcados o dañados.
4. Conecte el cableado del sistema de control de la piscina/del hidromasaje al terminal del control remoto de la bomba de calor. Consulte la Figura 11(a).
5. Restituya la energía a la bomba de calor y al sistema de control de la piscina/del hidromasaje.



Conexión a un remoto con piscina-apagado-hidromasaje (conexión de 3 cables)

Conexión a AquaLink® RS o TSTAT remoto (conexión de 2 cables)

Figura 11. Cableado de conexión a un remoto

Configurar el panel de control

1. Asegúrese de que el control esté en modo **OFF** (Apagado).
2. Para acceder al modo Service Setup (Configuración de servicio), mantenga presionados los botones **MENU** (Menú), **POOL** (Piscina) y **SPA** (Hidromasaje) durante 5 segundos.

NOTA: La pantalla regresará a **OFF** (Apagado) después de un minuto a partir de la última vez que se presionó una tecla.

3. Presione los botones **Up** (Arriba) o **Down** (Abajo) para mostrar **REMOTE** (Remoto). Presione el botón **MENU** (Menú). Aparece **SELECT REMOTE OFF** (Seleccionar remoto apagado) (remoto predeterminado). Use los botones **Up** (Arriba) o **Down** (Abajo) para desplazarse por las opciones del remoto. Al llegar a **HI-LO-COM** (Alto-bajo-com), presione el botón **MENU** (Menú) para seleccionar el remoto. Presione **POOL** (Piscina) o **SPA** (Hidromasaje) para salir del modo Service Setup (Configuración de servicio).

Conexión de dos cables a AquaLink® RS o TSTAT

El control remoto de dos cables solo servirá para controlar una función, calor o frío. No se pueden controlar las dos funciones con el control remoto.

Configurar el sistema de control de AquaLink RS

1. Apague el suministro de energía al sistema de control de la piscina/del hidromasaje y a la unidad de la bomba de calor.
2. Conecte dos (2) cables a los terminales verdes de 10 pines 1 y 2 de AquaLink RS.
3. Ponga DIP S2-1 (pin 1 del interruptor DIP de 4 posiciones) en posición ON (Encendido). Consulte la Figura 11.

Instalar el TSTAT remoto

1. Apague el suministro de energía al sistema de control de la piscina/del hidromasaje y a la unidad de la bomba de calor.
2. Extraiga los tornillos que conectan el panel de servicio/acceso a la unidad de la bomba de calor y la cubierta de la caja de conexiones (consulte la Figura 10).
3. Tienda los cables del sistema de control de la piscina/del hidromasaje hasta la conexión de conducto etiquetada "Low Voltage Connection" (Conexión de bajo voltaje) y ubicada en la parte inferior derecha de la bomba de calor (consulte la Figura 10). Asegúrese de que los conductores no estén pellizcados o dañados.
4. Conecte el cableado del sistema de control de la piscina/del hidromasaje al terminal del control remoto de la bomba de calor. Consulte la Figura 11(b).
5. Restituya la energía a la bomba de calor y al sistema de control de la piscina/del hidromasaje.

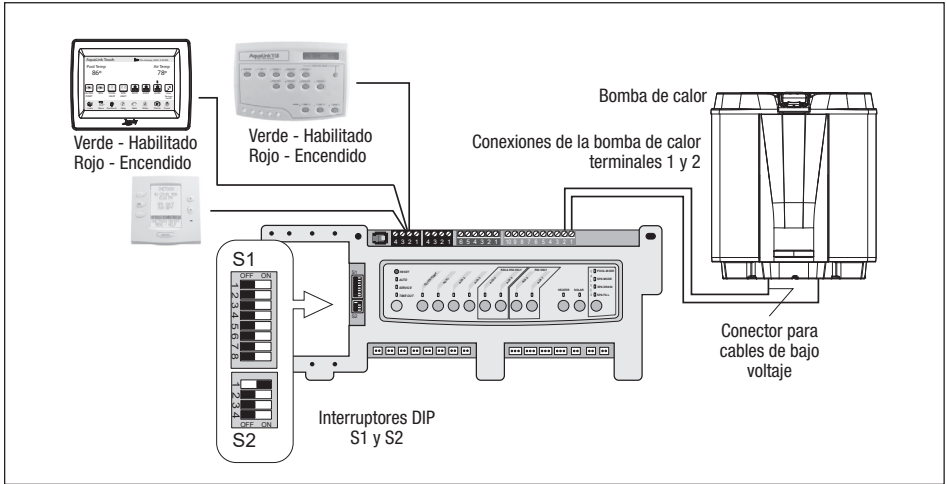


Figura 12. AquaLink RS a bomba de calor Jandy JRT, conexión de T-Stat (2 cables)

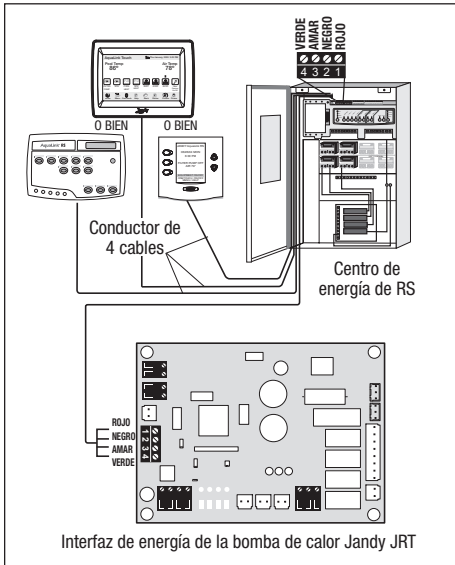


Figura 13. Bomba de calor Jandy JRT a centro de energía, conexión RS485 (4 cables)

Configurar el panel de control

1. Asegúrese de que el control esté en modo **OFF** (Apagado).
2. Para acceder al modo Service Setup (Configuración de servicio), mantenga presionados los botones **MENU** (Menú), **POOL** (Piscina) y **SPA** (Hidromasaje) durante 5 segundos.

NOTA: La pantalla regresará a **OFF** (Apagado) después de un minuto a partir de la última vez que se presionó una tecla.

3. Presione los botones **Up** (Arriba) o **Down** (Abajo) para mostrar **REMOTE** (Remoto). Aparece **SELECT REMOTE OFF** (Seleccionar remoto apagado) (remoto predeterminado). Use los botones **Up** (Arriba) o **Down** (Abajo) para desplazarse por las opciones del remoto. Al llegar a **REMOTE TSTAT** (TSTAT remoto), presione el botón **MENU** (Menú) para seleccionar el remoto. Presione **POOL** (Piscina) o **SPA** (Hidromasaje) para salir del modo Service Setup (Configuración de servicio).
4. Presione **SPA** (Hidromasaje). Para calentar, establezca el punto de ajuste en la configuración máxima. Para enfriar, establezca el punto de ajuste en la configuración mínima.

Conexión RS485 (4 cables) a AquaLink® RS

Para controlar ambas funciones a la vez, se puede usar un control remoto AquaLink RS y una conexión RS485.

1. Confirme que las revisiones de software de la bomba de calor Jandy JRT y de AquaLink RS sean compatibles.

Rev. de software de la interfaz de energía de la bomba de calor Jandy JRT	Rev. de software de AquaLink® RS
3.0 o posterior	N o posterior

NOTA: Con solo una revisión "N", o posterior, el chip del programa del sistema RS será compatible con la interfaz de la bomba de calor Jandy JRT.

2. Apague el suministro de energía a la bomba de calor y al control RS y abra el cerramiento del centro de energía de RS y extraiga el panel muerto delantero.
3. Extraiga los dos (2) tornillos que sostienen el bisel y dé vuelta el bisel para observar la placa de circuitos de la parte posterior.
4. Ubique el chip programado en la placa del centro de energía. La letra de la revisión está en el centro del chip. Si la letra de la revisión es “N” o posterior, vaya al paso 5. Si el nivel de revisión es “MMM” o inferior, reemplace la placa o conéctela según se indica en la *Sección 4, Conexiones eléctricas*.
5. Use un cable de 4 conductores calibre 22 (n.º de pieza 4278 de Zodiac®) y tiéndalo entre la bomba de calor y el control de RS. Haga coincidir el orden de los colores del cable.
6. Los cables que provienen de la bomba de calor Jandy JRT pueden “duplicarse” en la barra de terminales roja con los cuatro (4) cables provenientes del controlador para interiores. Asegúrese de que los conductores no estén pelizados o dañados.

NOTA: Si es necesario instalar más de dos (2) cables en cada terminal, pida un kit de PCB multiplex Jandy, que incluye la placa multiplex (n.º de pieza 6584 de Jandy). Nunca ponga más de dos (2) cables en cada pin de la barra de terminales.

7. Verifique todo el cableado y aplique energía a la bomba de calor y al sistema de control de RS. Es posible verificar el funcionamiento en modo de servicio o en modo automático. Para obtener instrucciones sobre la operación, consulte el manual del sistema del control de RS.

Cuando se enciende por primera vez la bomba de calor Jandy JRT y hay un control de RS conectado a la bomba de calor, la pantalla de la bomba de calor indicará “**JANDY REMOTE ONLINE PUSH MENU TO DISABLE**” (Remoto Jandy en línea, presione Menu [Menú] para inhabilitarlo). Cuando la bomba de calor JRT está en línea con el control de RS, todas las funciones del control en la bomba de calor se inhabilitan. Las funciones de la bomba de calor pueden controlarse únicamente en la unidad RS.

Para usar temporalmente los controles de la bomba de calor, presione el botón **MENU** (Menú). El mensaje “**JANDY REMOTE ONLINE PUSH MENU TO DISABLE**” (Remoto Jandy en línea, presione Menu [Menú] para inhabilitarlo) desaparecerá de la pantalla de la bomba de calor. Todas las funciones regresan al control en la bomba de calor. En este modo, la unidad RS ya no controla la bomba de calor.

Para regresar las funciones a la unidad RS, lleve a cabo un ciclo de energía (apague y encienda) la bomba de calor o presione el botón **MENU** (Menú) durante 5 segundos para acceder al modo de configuración del usuario y habilite el remoto de Jandy.

NOTA: Si conecta más de dos (2) elementos al conector rojo de 4 pines del centro de energía de RS, se requiere una PCB multiplex.

Conexión a una interfaz de usuario secundaria

1. Apague la energía de la bomba de calor.
2. Extraiga los tres (3) tornillos que conectan el panel delantero a la bomba de calor y extraiga el panel delantero. Consulte la *Figura 10*.
3. Extraiga el tornillo del lado derecho de la caja de control.
4. Abra la caja de control.
5. Tienda cuatro (4) cables de cobre macizo 22 AWG hacia adentro de la membrana blanda de bajo voltaje ubicada en la parte inferior izquierda de la bomba de calor. Los cables pueden tener hasta 300 pies (91,4 m) de largo.
6. Conecte los cables en el terminal de 4 posiciones de la esquina inferior izquierda de la placa de PC de la interfaz de energía etiquetada como “User Interface1” (Interfaz de usuario 1). Consulte la *Figura 8*. Los cables se agregarán al cableado existente a la interfaz del usuario instalada en la bomba de calor.
7. Asegúrese de que el cableado sea coherente al conectar los cables en la segunda interfaz de usuario. Por ejemplo, BK (Negro) va en BK (Negro), O (Anaranjado) va en O (Anaranjado), etc.
8. Cierre la caja de control y fijela con el tornillo suministrado.
9. Vuelva a asentar el panel de acceso de servicio y fjelo con los tornillos suministrados.

Sección 5. Operación

⚠ PRECAUCIÓN

No use esta bomba de calor si alguna de sus piezas estuvo bajo agua. Llame inmediatamente a un técnico de servicio calificado para que inspeccione el calentador y reemplace todas las partes del sistema de control que hayan estado bajo agua.

Mantenga la parte superior de la bomba de calor libre de todo tipo de objetos. La obstrucción del caudal de aire puede dañar la unidad y anular la garantía.

5.1 Precauciones para la puesta en funcionamiento inicial

Asegúrese de que haya agua en la piscina y de que el nivel de la superficie esté por arriba del filtro superficial u otra entrada del sistema de filtro de la piscina.

En cualquier instalación nueva de piscina o hidromasaje, opere la bomba de filtro con la bomba de calor apagada durante el tiempo necesario suficiente para limpiar el agua por completo. Esto eliminará los residuos de la instalación del agua.

Limpie el filtro cuando termine este proceso, antes de encender la bomba de calor. Al elevar la temperatura de una piscina fría, programe el reloj temporizador para que la bomba funcione continuamente.

Esta acción permite que el sistema de filtro y la bomba de calor funcionen de forma continua, hasta que el agua alcance la temperatura establecida en el control de temperatura. Cuando se alcance la temperatura deseada, la bomba de calor se apagará automáticamente, pero la bomba de filtro continuará funcionando.

5.2 Operación del controlador

Su nueva bomba de calor Jandy JRT es controlada mediante un controlador avanzado con base de microprocesador que suministra una interfaz elaborada pero sencilla para operar la bomba de calor para una eficiencia máxima y para que disfrute de su piscina. Para la ubicación de los botones del control, consulte la *Figura 14*.

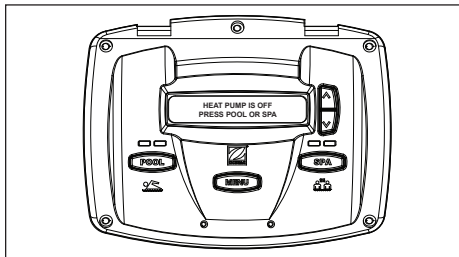


Figura 14. Panel de control principal

Modo Off (Apagado)

Cuando se apaga el panel de control, en la pantalla aparece **HEAT PUMP IS OFF PRESS POOL OR SPA** (La bomba de calor está apagada, presione Pool [Piscina] o Spa [Hidromasaje]).

Modo Pool (Piscina), calor normal

Para habilitar el modo de piscina, presione **POOL** (Piscina). El indicador LED verde de la izquierda relacionado se encenderá y en la pantalla aparecerá **SET:XXX°** (Establecer:XXX°).

NOTA: XXX representa la configuración de temperatura actual en el control. La configuración predeterminada de la temperatura de la piscina es 80 °F (26 °C).

Es posible modificar el punto de ajuste de temperatura al presionar los botones **Up** (Arriba) o **Down** (Abajo). Presione reiteradamente los botones **Up** (Arriba) o **Down** (Abajo) hasta llegar al punto de ajuste de temperatura deseado. Después de 5 segundos de inactividad, el nuevo punto de ajuste se almacena en la memoria.

Cuando la temperatura del agua caiga a 1 grado menos que la configuración de temperatura y después de una demora de 5 minutos, el control iniciará la bomba de calor y el LED derecho relacionado se encenderá en ROJO.

Modo Pool (Piscina), calor de mantenimiento opcional

Si está conectado a AquaLink, el modo Maintain Heat (Mantener calor) permite que la bomba de calor monitoree la temperatura del agua las 24 horas del día al encender la bomba de la piscina y muestrear la temperatura del agua.

NOTA: Esta función solo puede utilizarse cuando está conectado a AquaLink.

Cuando la temperatura caiga por debajo del punto de ajuste de temperatura programado, el control iniciará la bomba de calor.

Para operar en modo de piscina con la función Maintain Heat (Mantener calor), presione **POOL** (Piscina) y, a continuación, presione **MENU** (Menú), presione el botón Down (Abajo) hasta que aparezca **MAINTAIN POOL HEAT** (Mantener calor de la piscina) y presione el botón **MENU** (Menú).

El indicador LED verde de la izquierda relacionado se encenderá y en la pantalla aparecerá **SET:XXX°** (Establecer:XXX°). Para modificar el punto de ajuste de temperatura, presione los botones **Up** (Arriba) o **Down** (Abajo) hasta que se muestre el punto de ajuste deseado. Después de 5 segundos de inactividad, el nuevo punto de ajuste se almacena en la memoria.

Modo Spa (Hidromasaje), calor normal

Para habilitar el modo de hidromasaje, presione **SPA** (Hidromasaje). El indicador LED verde de la izquierda relacionado se encenderá y en la pantalla aparecerá **SET:XXX°** (Establecer:XXX°).

NOTA: XXX representa la configuración de temperatura actual en el control. La configuración predeterminada de la temperatura del hidromasaje es 102 °F (38 °C).

Es posible modificar el punto de ajuste de temperatura al presionar los botones **Up** (Arriba) o **Down** (Abajo). Presione reiteradamente los botones **Up** (Arriba) o **Down** (Abajo) hasta llegar al punto de ajuste de temperatura deseado. Después de 5 segundos de inactividad, el nuevo punto de ajuste se almacena en la memoria. Cuando la temperatura del agua caiga a 1 grado menos que la configuración de temperatura y después de una demora de 5 minutos, el control iniciará la bomba de calor y el LED derecho relacionado se encenderá en ROJO.

Modo Spa (Hidromasaje), calor de mantenimiento opcional

Si está conectado a AquaLink, el modo Maintain Heat (Mantener calor) permite que la bomba de calor monitoree la temperatura del agua las 24 horas del día al encender la bomba del hidromasaje y muestrear la temperatura del agua.

NOTA: Esta función solo puede utilizarse cuando está conectado a AquaLink.

Para operar en modo de hidromasaje con la función Maintain Heat (Mantener calor), presione **SPA** (Hidromasaje) y, a continuación, presione **MENU** (Menú), presione el botón **Down** (Abajo) hasta que aparezca **MAINTAIN SPA HEAT** (Mantener calor del hidromasaje) y presione el botón **MENU** (Menú). El indicador LED verde de la izquierda relacionado se encenderá y en la pantalla aparecerá **SET:XXX°** (Establecer:XXX°). Para modificar el punto de ajuste de temperatura, presione los botones **Up** (Arriba) o **Down** (Abajo) hasta que se muestre el punto de ajuste deseado. Después de 5 segundos de inactividad, el nuevo punto de ajuste se almacena en la memoria.

5.3 Función de refresco

Modo Pool (Piscina), enfriamiento normal

Para habilitar el modo de piscina, presione **POOL** (Piscina).

El indicador LED verde de la izquierda relacionado se encenderá y en la pantalla aparecerá **SET:XXX°** (Establecer:XXX°).

NOTA: XXX representa la configuración de temperatura actual en el control. La configuración predeterminada de la temperatura de la piscina es 80 °F (26 °C).

Presione el botón **MENU** (Menú). Presione los botones **Up** (Arriba) o **Down** (Abajo) hasta alcanzar **POOL CHILL** (Enfriamiento de la piscina) y presione el botón **MENU** (Menú).

Es posible modificar el punto de ajuste de temperatura al presionar los botones **Up** (Arriba) o **Down** (Abajo). Presione reiteradamente los botones **Up** (Arriba) o **Down** (Abajo) hasta llegar al punto de ajuste de temperatura deseado. Después de 5 segundos de inactividad, el nuevo punto de ajuste se almacena en la memoria. Cuando la temperatura del agua se eleve a 1 grado más que la configuración de temperatura y después de una demora de 5 minutos, el control iniciará la bomba de calor y el LED derecho relacionado se encenderá en VERDE.

Modo Pool (Piscina), enfriamiento de mantenimiento opcional

Si está conectado a AquaLink, el modo Maintain Chill (Mantener enfriamiento) permite que la unidad monitoree la temperatura del agua las 24 horas del día al encender la bomba de la piscina y muestrear la temperatura del agua.

NOTA: Esta función solo puede utilizarse cuando está conectado a AquaLink.

Cuando la temperatura del agua sube por arriba de la configuración de temperatura deseada, el control encenderá la unidad y se iluminará el LED verde derecho relacionado.

Para operar en modo de piscina con la función Maintain Chill (Mantener enfriamiento), presione **POOL** (Piscina) y, a continuación, presione **MENU** (Menú), presione el botón **Down** (Abajo) hasta que aparezca **MAINTAIN POOL CHILL** (Mantener enfriamiento de la piscina) y presione el botón **MENU** (Menú). El indicador LED verde de la izquierda relacionado se encenderá y en la pantalla aparecerá **SET:XXX°** (Establecer:XXX°). Para modificar el punto de ajuste de temperatura, presione los botones **Up** (Arriba) o **Down** (Abajo) hasta que se muestre el punto de ajuste deseado. Después de 5 segundos de inactividad, el nuevo punto de ajuste se almacena en la memoria.

Modo Spa (Hidromasaje), enfriamiento de mantenimiento opcional

Si está conectado a AquaLink, el modo Maintain Chill (Mantener enfriamiento) permite que la bomba de calor monitoree la temperatura del agua las 24 horas del día al encender la bomba del hidromasaje y muestrear la temperatura del agua.

NOTA: Esta función solo puede utilizarse cuando está conectado a AquaLink.

Cuando la temperatura suba por arriba del punto de ajuste de temperatura programado, el control iniciará la bomba de calor.

Para operar en modo de hidromasaje con la función Maintain Chill (Mantener enfriamiento), presione **SPA** (Piscina) y, a continuación, presione **MENU** (Menú), presione el botón **Down** (Abajo) hasta que aparezca **MAINTAIN SPA CHILL** (Mantener enfriamiento del hidromasaje) y presione el botón **MENU** (Menú). El indicador LED verde de la izquierda relacionado se encenderá y en la pantalla aparecerá **SET:XXX°** (Establecer:XXX°). Para modificar el punto de ajuste de temperatura, presione los botones **Up** (Arriba) o **Down** (Abajo) hasta llegar al punto de ajuste deseado. Después de 5 segundos de inactividad, el nuevo punto de ajuste se almacena en la memoria.

5.4 Opciones de configuración del usuario

Las opciones de configuración del usuario permiten que el usuario seleccione opciones específicas para los idiomas, la escala de temperatura, el temporizador del hidromasaje y la luz de pantalla.

Configuración de idioma

1. Asegúrese de que el control esté en modo **OFF** (Apagado).
2. Para acceder al modo User Setup (Configuración de usuario), mantenga presionado el botón **MENU** (Menú) durante 5 segundos.

NOTA: La pantalla regresará a **OFF** (Apagado) después de un minuto a partir de la última vez que se presionó una tecla.

- Para seleccionar un idioma, use los botones **Up** (Arriba) o **Down** (Abajo) para mostrar **SELECT USER SETUP LANGUAGE** (Seleccionar idioma de configuración de usuario). Presione el botón **MENU** (Menú). Aparece **SELECT LANGUAGE ENGLISH** (Seleccionar idioma inglés), el idioma predeterminado. Use los botones **Up** (Arriba) o **Down** (Abajo) para desplazarse por las opciones de idioma. Al llegar al idioma deseado, presione el botón **MENU** (Menú) para seleccionar el idioma. Presione **POOL** (Piscina) o **SPA** (Hidromasaje) para salir del modo User Setup (Configuración de usuario).

Configuración de la escala de temperatura

- Asegúrese de que el control esté en modo **OFF** (Apagado).
- Para acceder al modo User Setup (Configuración de usuario), mantenga presionado el botón **MENU** (Menú) durante 5 segundos.
- Para seleccionar la escala de temperatura, use los botones **Up** (Arriba) o **Down** (Abajo) para desplazarse por la pantalla **SELECT USER SETUP TEMPERATURE SCALE** (Seleccionar escala de temperatura de configuración de usuario). Presione el botón **MENU** (Menú). Aparece **SELECT TEMP SCALE °F** (Seleccionar escala de temperatura °F), la escala de temperatura predeterminada. Use los botones **Up** (Arriba) o **Down** (Abajo) para desplazarse por las opciones de escala. Al llegar a la escala de temperatura deseada, presione el botón **MENU** (Menú) para seleccionarla. Presione **POOL** (Piscina) o **SPA** (Hidromasaje) para salir del modo User Setup (Configuración de usuario).

Configuración del temporizador del hidromasaje

- Asegúrese de que el control esté en modo **OFF** (Apagado).
- Para acceder al modo User Setup (Configuración de usuario), mantenga presionado el botón **MENU** (Menú) durante 5 segundos.
- Para seleccionar el temporizador del hidromasaje, use los botones **Up** (Arriba) o **Down** (Abajo) para desplazarse por la pantalla **SELECT USER SETUP SPA TIMER** (Seleccionar temporizador de hidromasaje de la configuración de usuario). Presione el botón **MENU** (Menú). Aparece **SELECT SPA TIMER CONTINUOUS** (Seleccionar temporizador del hidromasaje continuo), configuración predeterminada del temporizador del hidromasaje. Para encender o apagar el hidromasaje de manera indefinida, presione el botón **MENU** (Menú) para seleccionar.

Para seleccionar la cantidad de tiempo que funcionará el hidromasaje, use los botones **Up** (Arriba) o **Down** (Abajo) para mostrar **SELECT SPA TIMER TIME SELECTION** (Seleccionar temporizador del hidromasaje selección de tiempo). Presione el botón **MENU** (Menú) para seleccionar. Aparece

la pantalla **SELECT SPA TIME 01:00 HRS** (Seleccionar tiempo del hidromasaje 01:00 h), la configuración de tiempo predeterminada. Use los botones **Up** (Arriba) o **Down** (Abajo) para seleccionar el tiempo que funcionará el hidromasaje (entre 00:15 y 23:00 horas con incrementos de 00:15 minutos). Presione el botón **MENU** (Menú) para seleccionar durante cuánto tiempo funcionará el hidromasaje. Presione **POOL** (Piscina) o **SPA** (Hidromasaje) para salir del modo User Setup (Configuración de usuario).

Configuración de luz de la pantalla

- Asegúrese de que el control esté en modo **OFF** (Apagado).
- Para acceder al modo User Setup (Configuración de usuario), mantenga presionado el botón **MENU** (Menú) durante 5 segundos.
- Para seleccionar la configuración de luz de la pantalla, use los botones **Up** (Arriba) o **Down** (Abajo) para desplazarse por la pantalla **SELECT USER SETUP DISPLAY LIGHT** (Seleccionar luz de pantalla de la configuración de usuario). Presione el botón **MENU** (Menú). Aparece **SELECT DISPLAY LIGHT 2 MIN TIMEOUT** (Seleccionar luz de pantalla tiempo de espera de 2 minutos), la configuración del tiempo de pantalla predeterminada. Esta opción permite que la luz de pantalla se apague después de 2 minutos. Presione el botón **MENU** (Menú) para seleccionar. Use los botones **Up** (Arriba) o **Down** (Abajo) para desplazarse hasta la pantalla **SELECT DISPLAY LIGHT LIGHT OFF** (Seleccionar luz de pantalla luz apagada). Esta opción permite que la luz de pantalla se apague. Presione el botón **MENU** (Menú) para seleccionarla. Use los botones **Up** (Arriba) o **Down** (Abajo) para desplazarse a la pantalla **SELECT DISPLAY LIGHT LIGHT ON** (Seleccionar luz de pantalla luz encendida). Esta opción permite que la luz de pantalla se encienda. Presione el botón **MENU** (Menú) para seleccionarla. Presione **POOL** (Piscina) o **SPA** (Hidromasaje) para salir del modo User Setup (Configuración de usuario).

5.5 Bloqueo del punto de ajuste

Asegúrese de que el control esté en modo **ON** (Encendido) en **POOL** (Piscina) o **SPA** (Hidromasaje). Mantenga presionados los botones **Up** (Arriba) y **Down** (Abajo) durante 5 segundos. El punto de ajuste se bloqueará y el control funcionará en el modo en el que estaba cuando se produjo el bloqueo del punto de ajuste. Si se intenta modificar el punto de ajuste cuando el control está en el bloqueo del punto de ajuste, el control indicará **SET POINT LOCKED** (Punto de ajuste bloqueado). Para desbloquear el bloqueo del punto de ajuste, mantenga presionados los botones **Up** (Arriba) y **Down** (Abajo) durante 5 segundos. La unidad indicará **SET POINT UNLOCKED** (Punto de ajuste desbloqueado).

5.6 Ajuste del interruptor de presión de agua

▲ PRECAUCIÓN

Es necesario ajustar el interruptor de presión de agua de modo que el calentador se apague cuando la bomba deja de funcionar. Establecer el cierre del interruptor en un punto de caudal demasiado bajo puede dañar la unidad. Ajuste el interruptor para apagar el calentador, no para encenderlo.

El interruptor de presión está preestablecido en fábrica para su activación a 3 psi (21 kPa). Esta es la configuración mínima del interruptor de presión de agua y funciona para todas las instalaciones básicas. Ajuste el interruptor de presión de agua únicamente si la bomba no funciona **cuando se aplica el caudal adecuado a la unidad** o si la bomba de calor no se apaga cuando la bomba del filtro está apagada. Ocasionalmente, es posible que configuraciones de las tuberías inusuales o restricciones necesarias en las tuberías provoquen problemas en la detección de la presión. En estas raras situaciones, es posible que la configuración del sistema de tuberías requiera el ajuste del interruptor de presión de agua.

El ajuste del interruptor de presión puede resultar necesario si alguna parte de la tubería del sistema del filtro está a 3 pies (1 m) o más por arriba de la parte superior del revestimiento de la bomba de calor.

No ajuste el interruptor de presión si la bomba de calor está instalada a más de 5 pies (1,5 m) por arriba de la superficie de la piscina o a más de 10 pies (3 m) por debajo de la superficie de la piscina. Consulte al distribuidor local de Zodiac® para obtener recomendaciones.

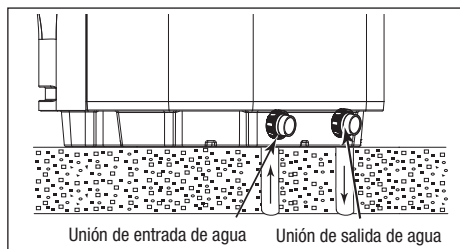


Figura 15. Preparación de la bomba de calor JRT para el invierno

En algunas instalaciones, las tuberías desde la bomba de calor a la piscina es muy corta. La presión de retroceso puede ser demasiado baja para disparar el interruptor de presión. Si sucede esto, puede resultar necesario conectar un accesorio direccional o codos donde la línea de retorno ingresa a la piscina. Esto aumentará la presión de retroceso lo suficiente para que la bomba de calor funcione correctamente. Si esta configuración es necesaria, asegúrese de verificar que el caudal del sistema esté por arriba del requisito mínimo de 30 gpm (114 lpm) después de la instalación del accesorio direccional o del codo.

Asegúrese de que el filtro de la piscina esté limpio antes de llevar a cabo cualquier ajuste en el interruptor de presión: Un filtro sucio restringirá el caudal del agua y en tal caso no podrá ajustarse correctamente el interruptor de presión.

Para ajustar el interruptor de presión:

1. Asegúrese de que todas las válvulas del sistema estén establecidas como para permitir el caudal de agua a través de la bomba de calor. Inicie la bomba del filtro.
2. Establezca el control de la bomba de calor para solicitar calor. Establezca el control de la bomba de calor en modo POOL HEAT (Calentamiento de la piscina).
3. Si el control de la bomba de calor indica "NO FLOW" (Sin caudal), el caudal del sistema puede estar por debajo del caudal mínimo de 30 gpm (114 lpm) necesario para el funcionamiento seguro de la bomba de calor. Investiga y corrija cualquier problema antes de ajustar el interruptor de presión de agua.
4. El interruptor de presión de agua está ubicado en la tubería de entrada de agua. Retire la cubierta azul.
5. Vuelva a instalar la cubierta azul.
6. Después de confirmar que el caudal está a un mínimo de 30 gpm (114 lpm), gire lentamente la perilla del interruptor de presión de agua en sentido **contrario al de las agujas del reloj** hasta que el indicador "NO FLOW" (Sin caudal) desaparezca de la pantalla de control. Recuerde que hay una demora temporal antes de que se inicie el compresor de la bomba de calor.
7. Cuando la bomba de calor esté funcionando, apague la bomba del filtro. La bomba de calor debe apagarse de inmediato.
8. Si la bomba de calor continúa funcionando cuando la bomba de filtro está apagada, gire la perilla del interruptor de presión de agua en sentido **de las agujas del reloj** hasta que aparezca "NO FLOW" (Sin caudal) en el control y la bomba de calor se apague.
9. Para verificar la configuración del interruptor de presión de agua, inicie y detenga la bomba del filtro y verifique la pantalla del control y el funcionamiento del calentador entre cada cambio de caudal.
10. Si no es posible ajustar el interruptor de presión de agua para las condiciones detalladas más arriba, debe agregarse un interruptor de caudal externo al sistema de tuberías para asegurar que la bomba de calor no funcione sin el caudal correcto a través del intercambiador de calor.

5.7 Descongelación con gas

Bajo ciertos niveles de temperatura y humedad, puede formarse escarcha en la superficie de la bobina de la bomba de calor. Esta capa de escarcha interferirá con la bomba de calor y hará que tenga que funcionar a mayor intensidad y, por tanto, con menos eficiencia.

La bomba de calor JRT tiene un ciclo llamado ciclo de descongelación, el cual elimina la escarcha de la bobina de exteriores: la unidad entrará en este ciclo con regularidad cuando se den las condiciones necesarias.

Hay dos modos de descongelación en las unidades JRT:

Gas (opción por defecto)

El proceso con gas utiliza el vapor refrigerante caliente que genera la bomba de calor al funcionar, y en vez de descartarlo lo utiliza para calentar la bobina evaporadora y derretir el hielo acumulado.

Descongelación por aire

En el ciclo de descongelación por aire, la bomba de calor se opera momentáneamente en dirección inversa. Esto calienta temporalmente la bobina exterior y derrite la escarcha.

Para cambiar del modo gas (opción por defecto) al modo aire:

1. Asegúrese de que el control remoto está en **OFF**.
2. Mantenga pulsados los botones de **MENU**, **POOL** y **SPA** durante 5 segundos para entrar en el modo Configuración y Soporte.
3. Pulse el botón de arriba o abajo para mostrar la opción **DEFROST**, y presione **MENU** para entrar en el submenú.
4. Use el botón de arriba o abajo para navegar por las opciones (**HOT GAS** y **AIR DEFROST**).
5. Pulse el botón **MENU** para seleccionar la opción que desee.
6. Pulse el botón **POOL** o **SPA** para salir del modo Configuración y Soporte

Prueba	Nivel recomendado
Cloro libre o	1,0 a 3,0 ppm
Bromo	2,0 a 4,0 ppm
pH	7,2 a 7,8 (los rangos ideales están entre 7,4 y 7,6)
Alcalinidad total (TA)	80 a 120 ppm
Dureza cálcica (CH)	175 a 400 ppm
Ácido cianúrico	30 a 50 ppm
Sólidos disueltos totales (TDS)	1000 a 2000 ppm (excepto NaCl disuelto del generador de cloro de sal)
* Niveles de concentración obtenidos de "Basic Pool and Spa Technology", publicación de la Asociación de Profesionales de Piscinas e Hidromasajes (APSP).	

Tabla 3. Rangos óptimos de la química del agua

Sección 6. Mantenimiento general

6.1 Química del agua

Se requieren equilibrios químicos adecuados para las condiciones higiénicas para bañarse y para asegurar la vida útil extensa de la bomba de calor. Asegúrese de mantener los niveles de concentración de químicos y minerales en los niveles indicados en la *Tabla 3*.

NOTA: Para los hidromasajes, es necesario también llevar a cabo modificaciones en el agua además del tratamiento químico. Se recomienda cambiar el agua del hidromasaje cada 60 días para el uso liviano y cada 30 días si el uso es pesado.

6.2 Preparación para el invierno

⚠ PRECAUCIÓN

Si no se prepara la bomba de calor para el invierno, pueden producirse daños y la garantía puede anularse.

En las áreas donde se producen temperaturas de congelamiento, debe proteger la bomba, el filtro y la bomba de calor contra los elementos. Lleve a cabo los pasos siguientes para drenar completamente la bomba de calor (consulte la *Figura 15*).

1. Apague la energía eléctrica a la bomba de calor en el panel del disyuntor principal.
2. Cierre el suministro de agua a la bomba de calor.
3. Desconecte las uniones de entrada y salida de agua.
4. Cubra únicamente la parte superior de la bomba de calor para evitar que caigan desechos en la unidad. No envuelva los lados de la bomba de calor con ningún plástico ni ningún otro material que pudiera retener calor o humedad dentro de la unidad.

6.3 Puesta en funcionamiento en la primavera

Si la bomba de calor se preparó para el invierno, lleve a cabo los pasos siguientes al iniciar el sistema en la primavera:

1. Descubra la bomba de calor e inspeccione la parte superior y los lados en busca de desechos o problemas estructurales.
2. Conecte las uniones de entrada y salida de agua ubicadas en el panel delantero inferior de la bomba de calor.
3. Encienda la bomba del filtro para suministrar agua a la bomba de calor. Haga circular agua en el sistema durante un tiempo suficiente como para que toda el agua de la piscina lleve a cabo un ciclo a través del filtro. Verifique que no haya fugas en la bomba de calor ni alrededor de ella.
4. Verifique la química de la piscina y equilibre según resulte necesario.
5. Encienda la energía eléctrica a la bomba de calor en el panel del disyuntor principal.

6.4 Inspección y servicio

Las bombas de calor Jandy se diseñan y construyen para ofrecer una larga vida útil siempre que se instalen y se operen correctamente en condiciones normales. Las inspecciones periódicas son importantes para mantener la bomba de calor en funcionamiento seguro y eficiente a lo largo de los años.

Inspección por parte del propietario

▲ PRECAUCIÓN

No use esta bomba de calor si alguna de sus piezas estuvo bajo agua. Llame inmediatamente a un técnico de servicio cualificado para que inspeccione el calentador y reemplace todas las partes del sistema de control que hayan estado bajo agua.

Jandy le recomienda inspeccionar la bomba de calor de manera regular y especialmente después de condiciones climáticas anómalas. Se le sugieren las pautas básicas siguientes para su inspección:

1. Mantenga las áreas superior y circundante de la bomba de calor libre de cualquier desecho.
2. Mantenga todas las plantas y todos los arbustos podados y alejados de la bomba de calor.

La bomba de calor producirá condensación (agua) durante su funcionamiento. La base de la bomba de calor está diseñada para permitir que la condensación salga a través del puerto de drenaje inferior cuando la unidad está en funcionamiento. La condensación aumentará a medida que aumente el nivel de humedad del aire exterior. Verifique los siguientes aspectos a intervalos regulares para asegurar un drenaje correcto de la condensación:

1. Inspeccione visualmente y despeje cualquier desecho de los puertos de drenaje inferiores que podrían obstruirse.
2. Asegúrese de que el agua de la condensación no forme charcos dentro de la bomba de calor.
3. Asegúrese de que el escurrimiento de la condensación esté dirigido correctamente hacia afuera de la base del equipo para evitar que la socave.

Durante el funcionamiento normal, la bomba de calor produce de 3 a 5 galones de condensación por hora. Si el drenaje de la condensación está por arriba de este rango durante la operación o si el agua continúa drenándose desde la base cuando la bomba de calor no está en funcionamiento durante más de una hora, es posible que haya fugas en las tuberías internas. Llame a un técnico cualificado en bombas de calor para que investigue el problema.

Mantenga el área de descarga de caudal de aire y entrada de caudal de aire superior libre de desechos para que no se restrinja el caudal de aire a través de la bomba de calor. El aire de descarga más fresco de la parte superior no debe acumularse ni ingresar en las serpentinadas de la entrada de aire lateral. Mantenga todas las plantas y todos los arbustos podados alejados de la bomba de calor.

Asegúrese de que la parte delantera de la unidad sea accesible para el servicio futuro.

Evite que los cabezales de los rociadores de césped pulvericen agua sobre la bomba de calor para evitar la corrosión y el daño. De ser necesario, utilice un deflector.

Si la unidad está instalada debajo de un techo con una inclinación muy pronunciada o debajo de un techo sin canaleta, debe colocarse una canaleta o un desvío para evitar que caiga una cantidad excesiva de agua en la unidad.

Inspección profesional

Son necesarias inspecciones al menos una vez por año llevadas a cabo por un técnico cualificado para mantener la bomba de calor en funcionamiento seguro y eficiente. Se deben llevar a cabo las siguientes verificaciones básicas de seguridad.

1. Verifique que no haya cables ni conexiones de terminales sueltos ni dañados.
2. Verifique el funcionamiento del interruptor de presión o del interruptor de caudal. Apague la bomba de calor. Desconecte la energía al reloj de la bomba o ponga el reloj de la bomba en posición OFF (Apagado). Vuelva a encender la bomba de calor. La bomba de calor no debe encenderse.
3. Inspeccione los controles eléctricos, en particular los siguientes:
 - Límites altos y bajos
 - Interruptor de presión o interruptor de caudal
 - Control de temperatura
4. Inspeccione la serpentina evaporadora en busca de obstrucciones y límpiela según sea necesario.
5. Verifique que no haya telas de araña ni desechos en el drenaje de condensación; límpielo si es necesario.
6. Lleve a cabo un ciclo operativo normal y observe que la unidad funcione correctamente.

Sección 7. Mantenimiento y servicio profesionales

7.1 Diseño de la bomba de calor

La bomba de calor Jandy constituye una de las maneras más eficientes de calentar una piscina o un hidromasaje. La bomba de calor transfiere calor del aire exterior a la piscina o al hidromasaje mediante un intercambiador de calor interno.

Cuando el ventilador está encendido, se toma aire cálido a través del evaporador cargado de refrigerante, lo que convierte el refrigerante líquido frío en un gas cálido. El gas a continuación fluye a través del compresor, donde se comprime. Esto resulta en una temperatura mucho más alta.

El gas caliente ingresa al intercambiador de calor, donde el agua extrae el calor. La bomba toma agua fría de la piscina, que a su vez convierte el gas caliente en un refrigerante líquido y vuelve a comenzar el ciclo.

La bomba JRT usa un refrigerante denominado R-410A. Se trata de un refrigerante que no reduce el ozono y está aceptado por la EPA.

La EPA requiere una certificación para comprar o usar R-410A. Se recomienda que el personal de servicio esté capacitado en los procedimientos de instalación, servicio, soldadura y mantenimiento.

NOTA: La salida de calor máxima y la eficiencia de una bomba de calor dependen de la calidad y del desempeño de los componentes principales utilizados. Igual de importantes son las condiciones ambientales (por ejemplo, la temperatura del aire, la humedad, la temperatura del agua y el viento).

7.2 Componentes y funcionamiento de la bomba de calor

Evaporador: A medida que pasa aire por el evaporador, el refrigerante del evaporador absorbe calor del aire ambiente. Cuanto más cálido sea el aire ambiente y mayor sea el área superficial del evaporador, más calor puede recolectar.

Ventilador: El ventilador de la bomba de calor produce un caudal de aire de alto volumen. Se requiere un caudal de aire adecuado para trasladar aire cálido a través del evaporador de gran tamaño.

Compresor: El compresor comprime el gas refrigerante a una mayor presión, lo que aumenta la temperatura.

Intercambiador de calor: Como último paso del proceso de calentamiento, el intercambiador de calor transfiere el calor del gas caliente al agua. (También se denomina "condensador").

Válvula de inversión: (Para las unidades híbridas con enfriador y descongelamiento por gas caliente opcionales) La válvula de inversión invierte el caudal del refrigerante, lo que resulta en la transferencia de gas frío al agua. Así se reduce la temperatura.

Sección 8. Resolución de problemas

8.1 Guía de resolución de problemas

En la siguiente tabla se suministran síntomas y soluciones para la resolución general de problemas para la bomba de calor.

Síntoma	Acción correctiva
La bomba de calor no se inicia, no se visualiza nada de la placa de control.	Es posible que se hayan disparado del disyuntor o un fusible. Restablezca el disyuntor o verifique los fusibles. Si la bomba de calor continúa sin funcionar, llame al servicio. Modelos trifásicos únicamente: Es posible que se hayan invertido las fases o que haya una pérdida de fase. Llame al servicio.
La bomba de calor no se inicia, pero la pantalla de la placa de control funciona.	Es posible que la bomba de calor esté en la cuenta regresiva de espera de 5 minutos. Asegúrese de que el termostato de la placa de control esté indicando al calentador que se encienda (verifique la configuración del termostato y la lectura de temperatura). Asegúrese de que la bomba de calor no esté en modo de enfriamiento.
La bomba de calor funciona pero no calienta.	Verifique que esté saliendo aire frío de la parte superior de la bomba de calor. Si la bomba de calor recién se instala o si el agua de la piscina se dejó enfriar mucho, es necesario hacer funcionar la bomba de calor continuamente durante 24 a 48 horas. Si la bomba de calor estuvo en funcionamiento durante un tiempo, aumente el tiempo de la bomba de circulación o pase la placa de control a la función Maintain Heat (Mantener calor). Si está calentando un hidromasaje, verifique que no haya tubos del soporte de la entrada de aire abiertas. Si la bomba de calor continúa sin calentar, llame al servicio.
La bomba de calor no funciona y en la placa de control se visualiza: FAULT- NO FLOW (Falla, Sin caudal)	Verifique que la bomba de circulación esté encendida y que todas las válvulas necesarias estén en la posición correcta. Verifique que el filtro y los filtros superficiales estén limpios. Verifique el nivel de agua de la piscina. Apague temporalmente todas las fuentes y cascadas con derivación de la entrada de agua de la bomba de calor. Si esto no corrige el problema, llame al servicio.
La bomba de calor no funciona y en la pantalla de la placa de control se visualiza: FAULT- HIGH REF PRESSURE (Falla, Temp. de ref. alta)	Verifique que la bomba de circulación esté encendida y que no haya restricciones en el caudal de agua a la bomba de calor. Si la bomba del filtro es una bomba de dos velocidades o de velocidad variable, pase a una mayor velocidad. Asegúrese de que todas las válvulas necesarias estén abiertas o en las posiciones correctas para permitir el caudal de agua correcto a la bomba de calor. Verifique que el filtro y los filtros superficiales estén limpios. Verifique el nivel de agua de la piscina. Esta condición también puede ocurrir si la bomba de calor no estuvo en funcionamiento durante un periodo extenso. Para restablecer la condición, lleve a cabo ciclos en la bomba de calor (encendido y apagado) hasta 3 veces. Si esto no corrige el problema, llame al servicio.
La bomba de calor no funciona o hay ciclos breves y en la pantalla de la placa de control se visualiza: FAULT- LOW REF PRESSURE (Falla, Temp. de ref. baja)	Verifique que el ventilador esté en funcionamiento y que salga aire de la parte superior de la bomba de calor mientras lleva a cabo un ciclo breve. Si la bomba de calor no funciona para nada, llame al servicio.
Hay una fuga de agua en la bomba de calor.	Es posible que haya una fuga en el intercambiador de calor o en las tuberías. Apague la bomba de calor y apague la bomba de circulación durante al menos una hora para ver si la fuga de agua se detiene. Si la fuga de agua se detiene, se está produciendo una condensación normal. Si la fuga de agua continúa después de que se apaga la bomba de calor durante al menos una hora, llame al servicio.

Tabla 4. Guía de resolución de problemas de la bomba de calor

8.2 Diagnóstico

Si un interruptor de presión se abre o se produce otra condición de falla, en la pantalla LCD se observará la falla hasta que se resuelva el problema. Consulte la tabla siguiente para observar una lista de condiciones de diagnóstico.

Diagnóstico condición	Descripción
FAULT- NO FLOW (Falla, Sin caudal)	Caudal de agua bajo o restringido a través de la bomba de calor. La válvula de derivación externa está en posición incorrecta o el interruptor del caudal de agua falló. El interruptor del caudal de agua se abre y crea una falla, y la bomba de calor se apaga.
FAULT- LOW REF PRESSURE (Falla, Temp. de ref. baja)	Cuando la temperatura ambiente es baja, la presión de succión puede reducirse de manera importante. Esta falla provocará que el interruptor de presión baja se abra y el control apagará el compresor.
FAULT- HIGH REF PRESSURE (Falla, Temp. de ref. alta)	Cuando la presión de carga se acumula demasiado, el interruptor de alta presión se abrirá y hará que la bomba de calor se apague de inmediato. El control detectará esta condición de falla y apagará el compresor hasta que el interruptor vuelva a cerrarse.
FAULT- HIGH WATER TEMP (Falla, Alta temperatura del agua)	Cuando la temperatura de la piscina o del hidromasaje se calienta al máximo de temperatura permitido o más, puede haber riesgos de seguridad para cualquier persona en el agua. El termostato del agua leerá esta temperatura y el control apagará la bomba de calor, a no ser que esté en modo de enfriamiento. Esta función también permanece activa cuando el control solicita calor a través de un termostato remoto. Esto es para asegurar que la temperatura del agua no alcance un nivel anormalmente alto debido a una posible falla del sensor remoto.
FAULT- SHORTED COIL SENSOR (Falla, Sensor de la serpentina en corto) -o bien- FAULT- OPEN COIL SENSOR (Falla, Sensor de la serpentina abierto)	Si el sensor de temperatura de la serpentina falla o no está conectado, el control apagará la bomba de calor.
FAULT- SHORTED WATER SENSOR (Falla, Sensor de agua en corto) -o bien- FAULT- OPEN WATER SENSOR (Falla, Sensor de agua abierto)	Si el sensor de temperatura del agua falla o no está conectado, el control apagará la bomba de calor.

Tabla 5. Diagnóstico de la bomba de calor

Sección 9. Repuestos

9.1 Información para realizar pedidos

Para pedir o comprar piezas para los modelos JRT de bombas de calor, comuníquese con el concesionario o distribuidor de Jandy más cercano. Consulte el sitio web de Jandy en www.Jandy.com para conocer el centro de servicio más cercano. Si no pueden suministrarle lo que necesita, comuníquese con el departamento de soporte técnico de Jandy al teléfono 800.822.7933.

9.2 Lista de piezas de la bomba de calor Jandy JRT

N.º de clave	Descripción	N.º de modelo	Order Part No.
1	Rejilla del ventilador	Todos	R0933900
2	Motor del ventilador	Todos	R0934000
3	Aspa del ventilador	Todos	R0934100
4	Parte superior del ventilador	Todos	R0934200
5	Serpentina evaporadora/protector	2000R, 2500R	R0934300
5	Serpentina evaporadora/protector	3000R, 3000R3	R0934400
6	Compresor, CP	2000R (CP)	R0934500
6	Compresor, CP, CAN	2000R (CP)	R0934501
6	Compresor, CP	2500R (CP)	R0934600
6	Compresor, CP, CAN	2500R (CP)	R0934601
6	Compresor, CP	3000R (CP)	R0934700
6	Compresor, CP, CAN	3000R (CP)	R0934701
6	Compresor, CP	3000R3 (CP)	R0577600
6	Compresor, LG	2000R (LG)	R1010000
6	Compresor, LG, CAN	2000R (LG)	R1010001
6	Compresor, LG	2500R (LG)	R1010100
6	Compresor, LG, CAN	2500R (LG)	R1010101
6	Compresor, LG	3000R (LG)	R1009800
6	Compresor, LG, CAN	3000R (LG)	R1009801
7	Base	Todos	R0934800
8	Cubierta de la caja de electricidad con tornillería	Todos	R0934900
9	Panel delantero	2000R, 2500R	R0935000
9	Panel delantero	3000R, 3000R3	R0935100
10	Sensor de temperatura	All	7790
11	Secador del filtro	Todos	R0935200
11	Secador del filtro (caudal doble)	Todos	R0935300
12	Válvula de expansión térmica	2000R, 2500R	R0935400
12	Válvula de expansión térmica	3000R, 3000R3	R0935500
13	Sensor de temperatura del aire	Todos	R0935600
14	Interruptor de presión alta	Todos	R0935700
15	Interruptor de presión baja	Todos	R0935800
16	Interruptor de presión de agua	Todos	R0935900
17	Interfaz de usuario	Todos	R0591900
18	Cubierta de la interfaz	Todos	R0592000
19	Válvula de inversión (opcional)	Todos	R0936000
20	Transformador	Todos (No 3000R3)	R0936100

N.º de clave	Descripción	N.º de modelo	Order Part No.
21	PCB de la interfaz de energía	Todos	R3009200
22	Capacitor del ventilador	Todos	R0936300
23	Capacitor de funcionamiento (monofásico)	2000R (CP), 2500R (CP), 3000R (CP), 2000R (LG)	R0936200
23	Capacitor de funcionamiento (monofásico)	2500R (LG), 3000R (LG)	R1009900
24	Contactador (monofásico)	Todos (monofásico)	R0936400
24	Contactador (3fásico)	Todos (3fásico)	R0576900
25	Monitor de fase (3fásico)	Todos (3fásico)	R0577100
26*	Conjunto del soporte de anclaje	Todos	R0936600
27*	Unión universal, conjunto de refuerzo	Todos	R0472700
28*	Válvulas Schrader (paquete de 2)	Todos	R0937100
29*	Kit de sujetador externo	Todos	R0937300
30*	Manta del compresor	Todos	R0951700
31*	Conector de compresión	Todos (No 3000R3) (CP)	R1009200
31*	Conector de compresión	Todos (No 3000R3) (LG)	R1009201
* No se muestra			

9.3 Bombas de calor Jandy JRT, vista ampliada

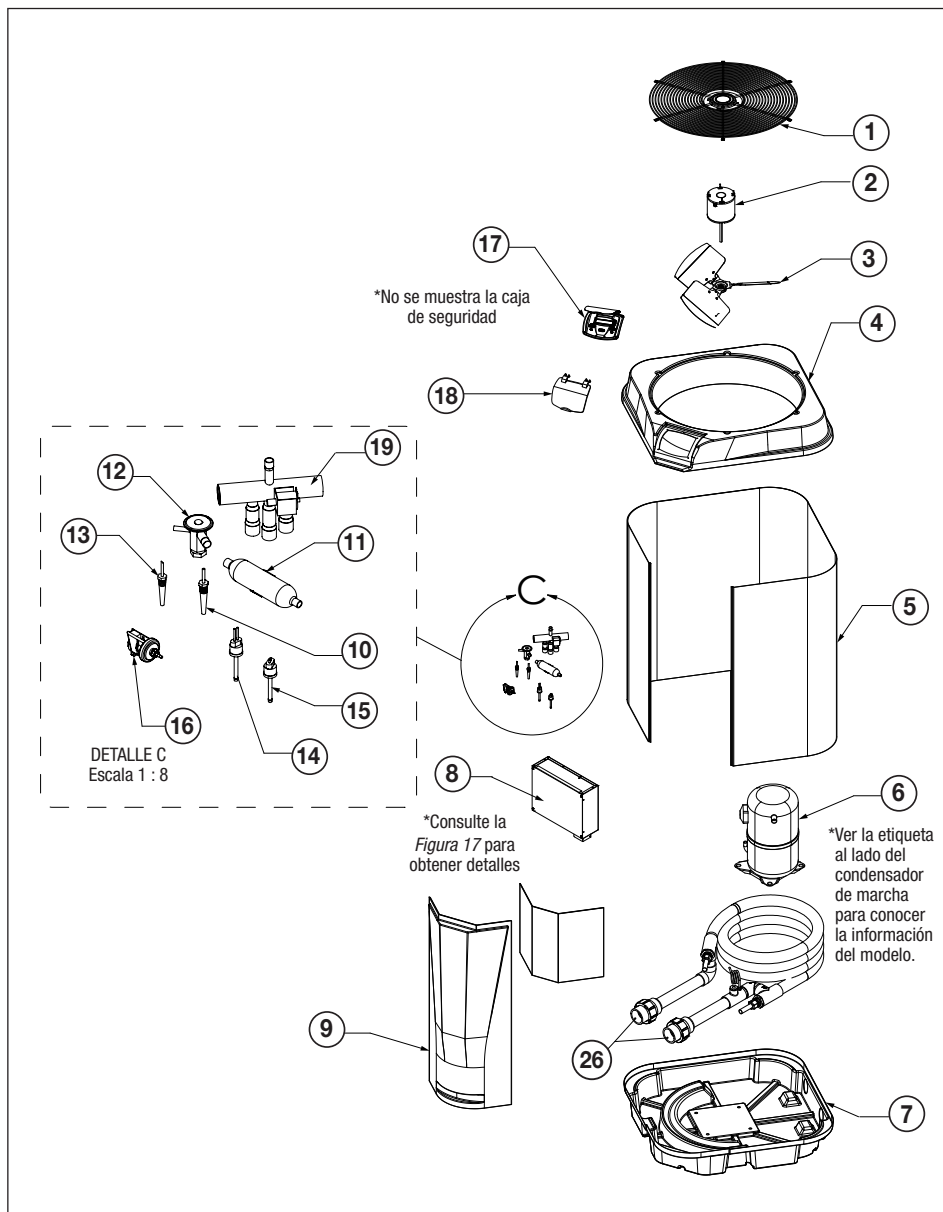


Figura 16. Bombas de calor Jandy JRT, vista ampliada (se muestra la JRT2000R)

9.4 Caja de electricidad monofásica de Jandy JRT

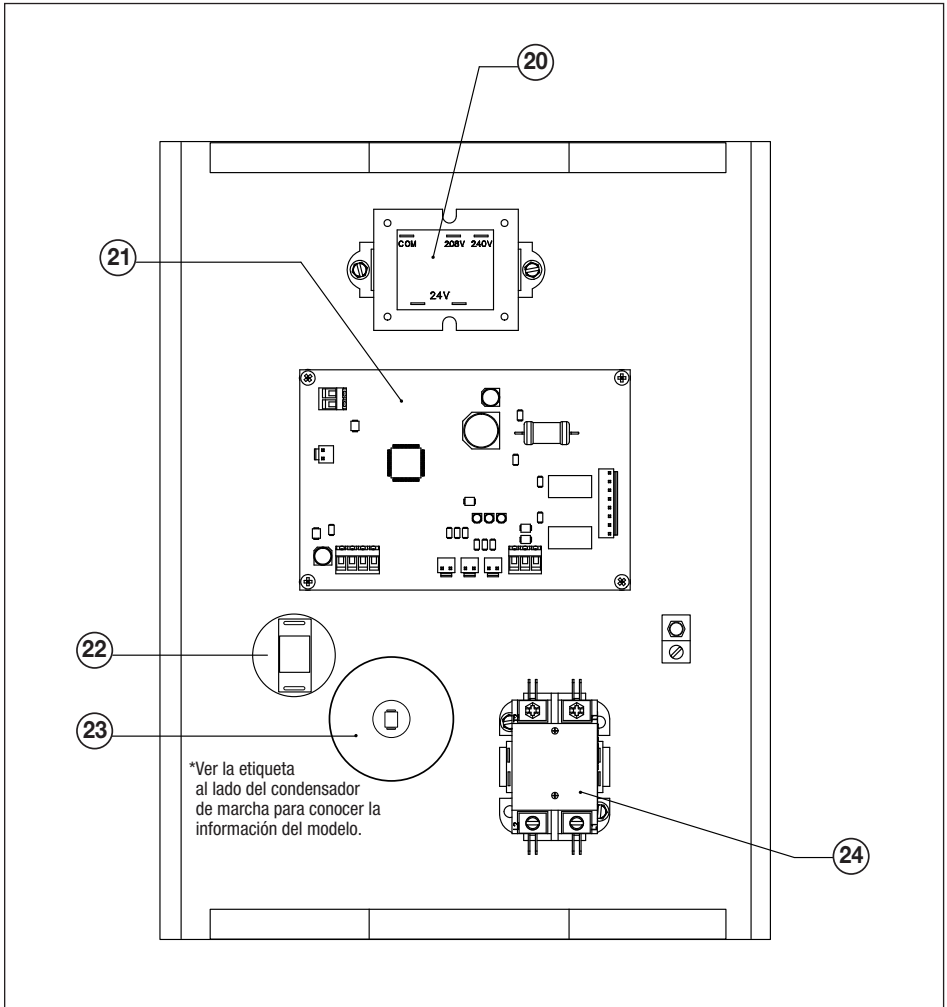


Figura 17. Caja de electricidad monofásica de Jandy JRT

9.5 Caja eléctrica trifásica JRT de Jandy

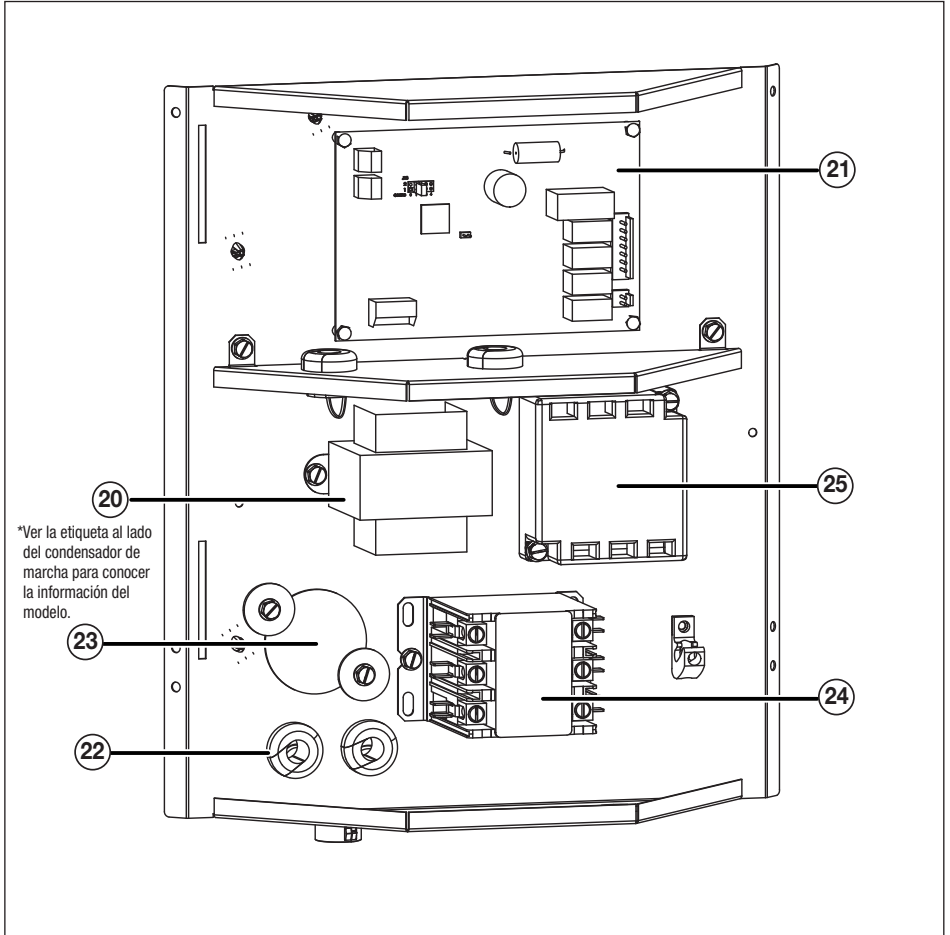


Figura 18. Caja eléctrica trifásica JRT de Jandy

NOTES

NOTES

Zodiac Pool Systems LLC

2882 Whiptail Loop # 100
Carlsbad, CA 92010, USA
Jandy.com | 1.800.822.7933

Zodiac Pool Systems Canada, Inc.

2-3365 Mainway
Burlington, ON L7M 1A6, Canada
Jandy.ca | 1.800.822.7933

A Fluidra Brand

©2023 Zodiac Pool Systems LLC. Todos los derechos reservados. ZODIAC® es una marca registrada de Zodiac International, S.A.S.U. y se utiliza bajo licencia. Todas las demás marcas comerciales son propiedad de sus respectivos dueños.

H0744700_REVG



ETL LISTED
CONFORMS TO
UL 60335-2-40

CERTIFIED TO
CAN/CSA C22.2 NO. 60335-2-40

